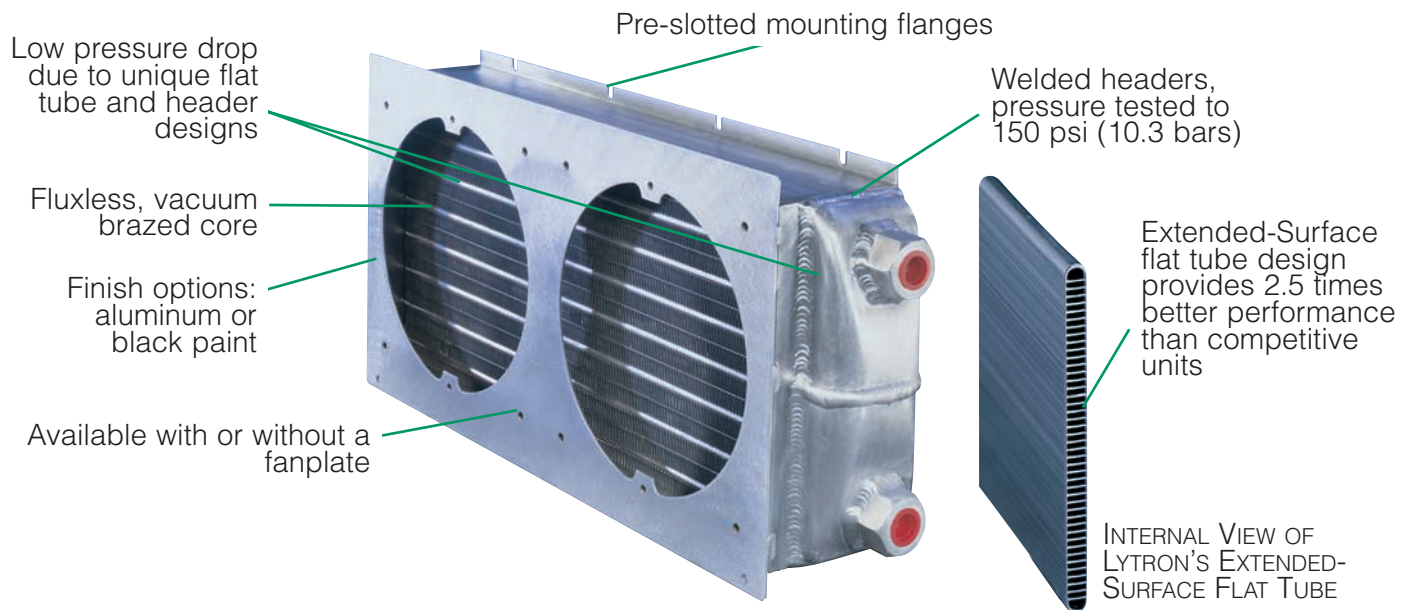


OIL COOLERS – ALUMINUM HEAT EXCHANGERS



Lytron's aluminum Oil Coolers are engineered to meet the requirements of poor heat transfer fluids, such as oil, EGW, and hydraulic fluid. These high performance, compact Oil Coolers provide up to two and a half times greater thermal performance per unit volume than competitive models.

Lytron's unique design maximizes heat transfer with multiple extended-surface channels inside each tube (see picture above). These channels provide maximum cooling by increasing the surface area in contact with the fluid. The extended-surface flat tube and our efficient header manifold reduces liquid pressure drop through the unit. Our proprietary air-side fin geometry further boosts heat transfer capacity by efficiently channeling air across the fin surface. Maximum operating temperature for these units is 400°F (200°C). The all-aluminum, vacuum brazed construction provides the performance, cleanliness, and reliability that your application demands.

Four different sizes are in stock for immediate delivery. They are available with and without fan plates, in plain aluminum or black paint finish. Custom heat exchangers for OEM applications are described on page 60.



For ambient cooling systems using our aluminum Oil Coolers, see page 29.

Applications:

- X-ray Tube Cooling
- Military and Commercial Aircraft Engine Cooling
- Hydraulic Fluid Cooling
- High-Speed Spindle Cooling

OIL COOLERS – STANDARD PRODUCTS



ES0505*



ES0510



ES0707



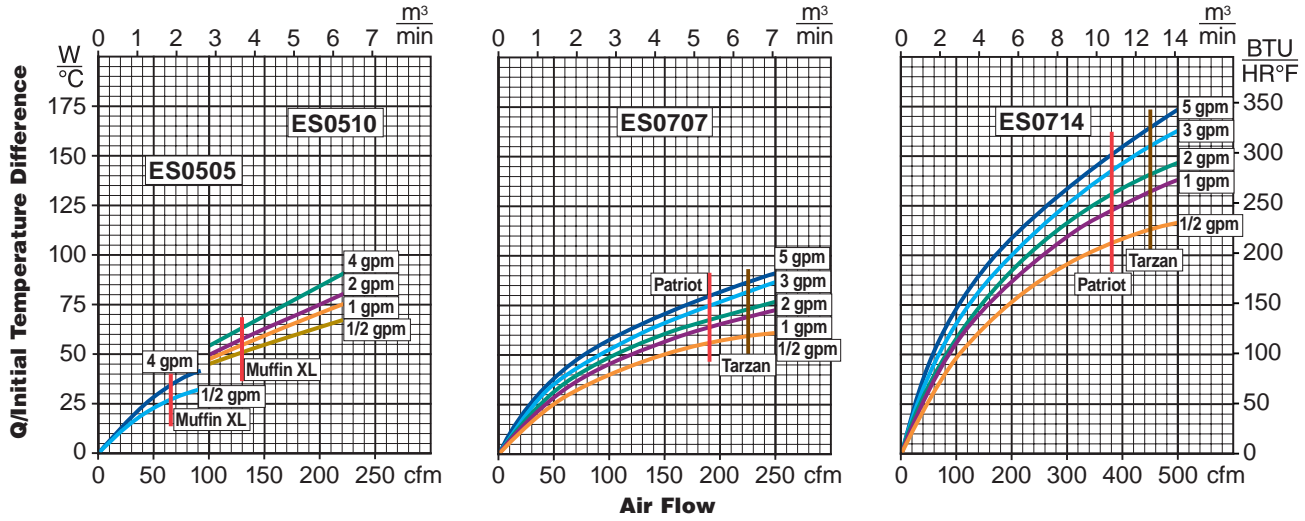
ES0714*

*Includes optional fan plate.

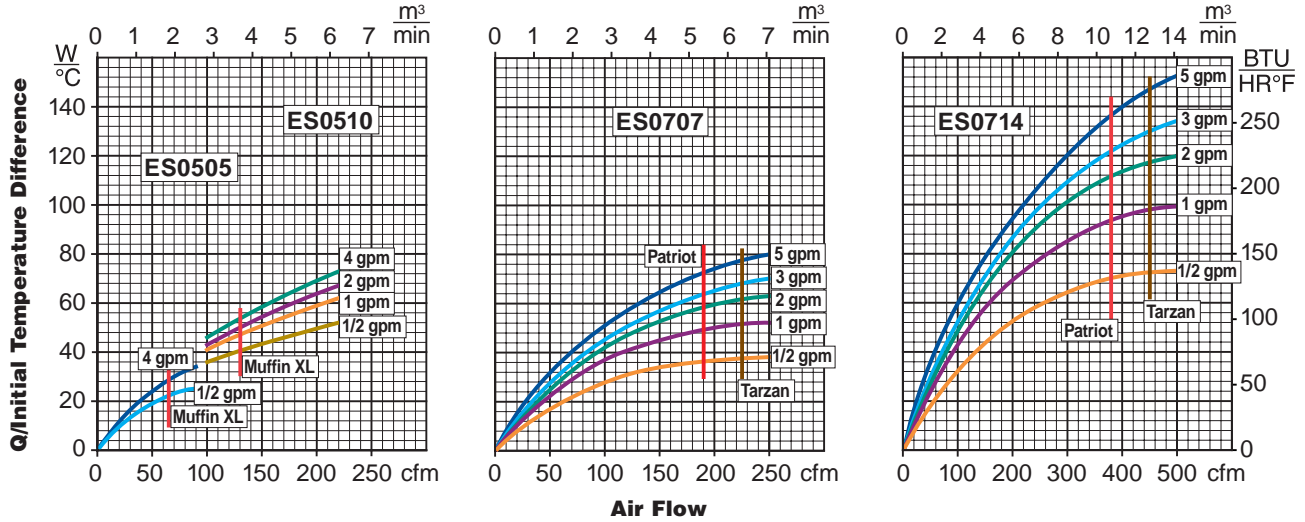
OIL COOLERS
ALUMINUM HEAT
EXCHANGERS

TECHNICAL INFORMATION

Thermal Performance For EGW^{††}

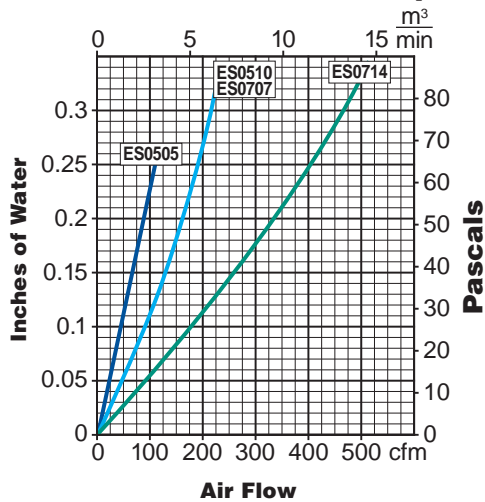


Thermal Performance for Oil[†]

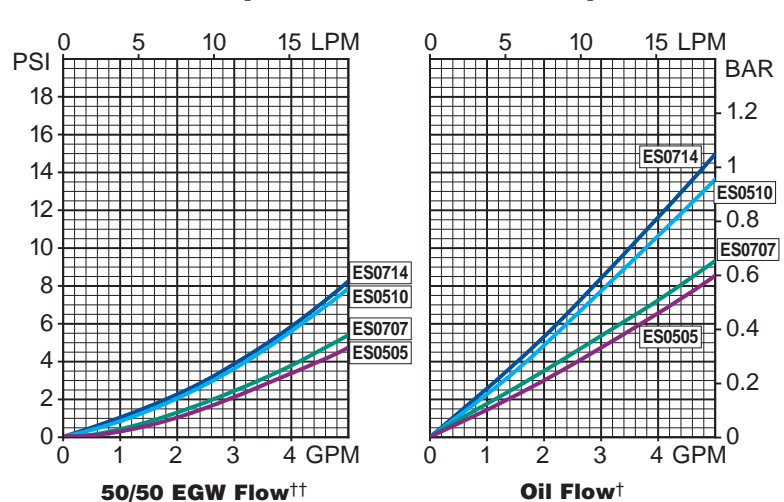


Notes: † Diala @ 170°F (76.6°C), †† 50/50 EGW@160°F (71.1°C). Refer to page 62 for thermal calculations for heat exchangers. The vertical lines indicate the performance provided by our standard fans at 60 Hz and 70°F. For 50 Hz fan performance, contact Lytron application engineering. For higher resolution performance charts, see www.Lytron.com. Maximum operating temperature 400°F (200°C).

Air Side Pressure Drop

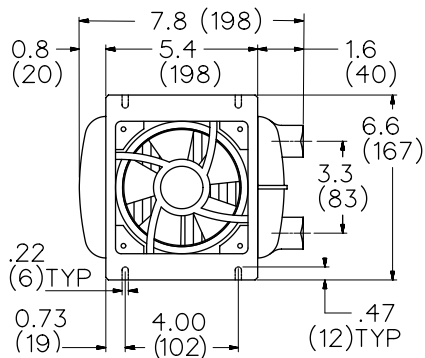


Liquid Side Pressure Drop

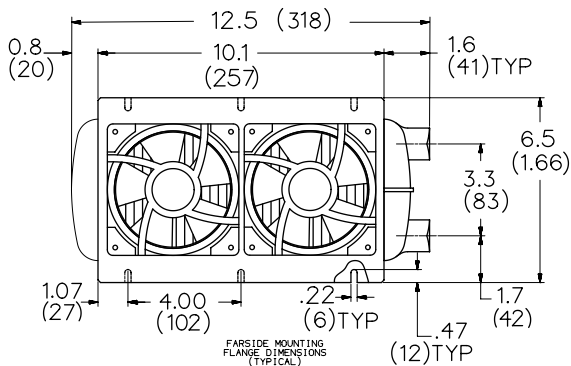


Dimensions

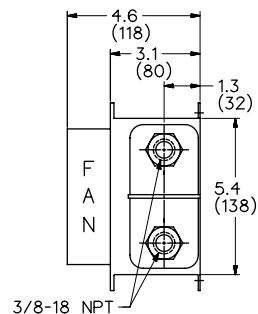
ES0505



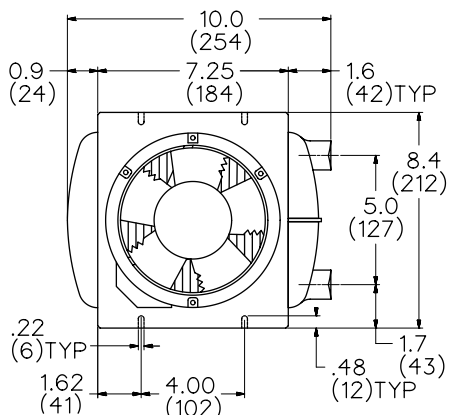
ES0510



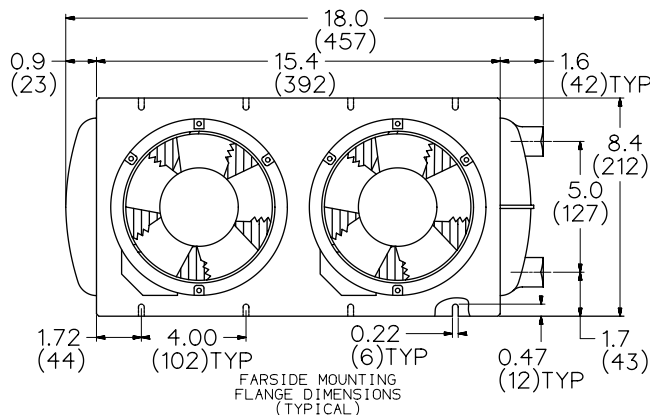
ES0505/ES0510 Profile



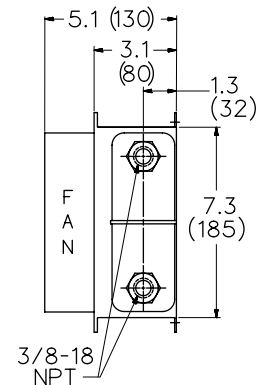
ES0707



ES0714



ES0707/ES0714 Profile



For additional drawing detail and tolerances, see product drawings at www.Lytron.com.

ORDERING INFORMATION

To order an aluminum Oil Cooler: 1) Select one of the four core numbers as shown below. 2) Add the double-letter code to signify which finish and fanplate option you prefer. Reference the example shown below. Technical information about fitting style, product weight and fluid volume can be found on page 64.

ES0707G22

Core Code

Single Fan

ES0505G
ES0707G

Double Fan

ES0510G
ES0714G

Finish Option

21: No Paint, No Fanplate
22: Black Paint, No Fanplate
23: No Paint, Fanplate Attached
24: Black Paint, Fanplate Attached

Accessories*

Each Oil Cooler may be ordered with a choice of accessories such as: fans, power cords and finger guards. Oil Coolers and accessories are sold separately. To order an accessory specify the part number shown below.

ES0505 & ES0510

Muffin XL® Fan

Fan, 115 volt = P/N 102076
Fan, 230 volt = P/N 102076-01
Power Cord = P/N 101466
Finger Guard = P/N 101467

* All fans are 50/60 Hz.

ES0707 & ES0714

Patriot® Fan

Fan, 115 volt = P/N 101116-01
Fan, 230 volt = P/N 101116-02
Power Cord = P/N 101466
Finger Guard = P/N 101116-03

Tarzan® Fan

Fan, 115 volt = P/N 101578-01
Fan, 230 volt = P/N 101578-02
Power Cord = P/N 101466
Finger Guard = P/N 101741