

Sanitary Sensor 4613s

Pharmaceutical sanitary open type for ultra pure injection water

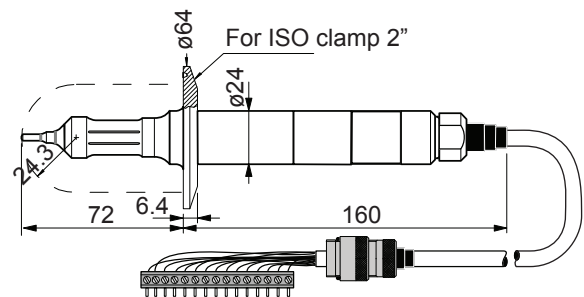
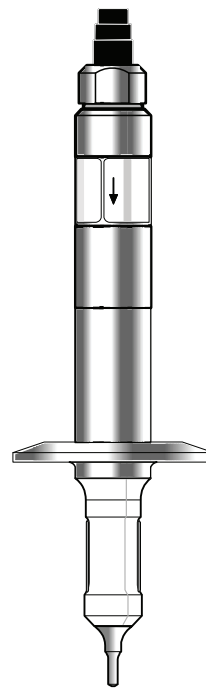
4-electrode conductivity sensor with external electrodes. Surface roughness of all wet parts $R_a < 0.80 \mu\text{m}$. Used with TCU series 3200.

Typical mounting

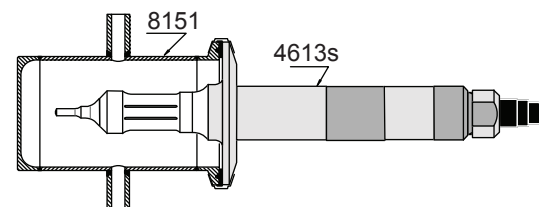
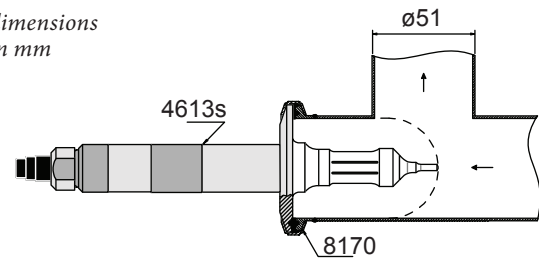
- Mounting with 2" ISO 2852 clamp (not included)
- Minimum distance to surroundings: 24.3 mm.
- When mounting on a horizontal pipe, mount to the side of the pipe and make sure no air bubbles occur at the installation point.
- Construct the piping in a self-draining manner.

Technical data

Materials	PTFE, silicone rubber, steel W 1.4404 (AISI 316L)
Pressure	max. 12 bar at 150 °C
Cell constant	1.0 ± 0.5 % (electrically adjusted) Calibrated in a Ø51 mm SS pipe. Ø63 mm SS pipe gives an error of approx. -6 %. Ø63 mm plastic pipe gives an error of approx. 20-30 %.
Reproduceability	± 2 % ± 0.01 µS/cm
Linearity	From 10 000 to 0.05 µS/cm ± 2 % per decade. Below 5 µS/cm + 0.01 µS/cm
Temp. sensor	Pt 1000 (IEC 751 class A)
Time delay	T_{90} , 9 sec.
Protection	IP65 splash-proof (DIN 40 050)
Sensor cable	PVC 18 x 0.22 mm ² type 70636 with screen Standard length 5 m max. temp. 70 °C
Connection	15-pole strip connector with MF20 cable adapter
Weight	1.1 kg



dimensions
in mm



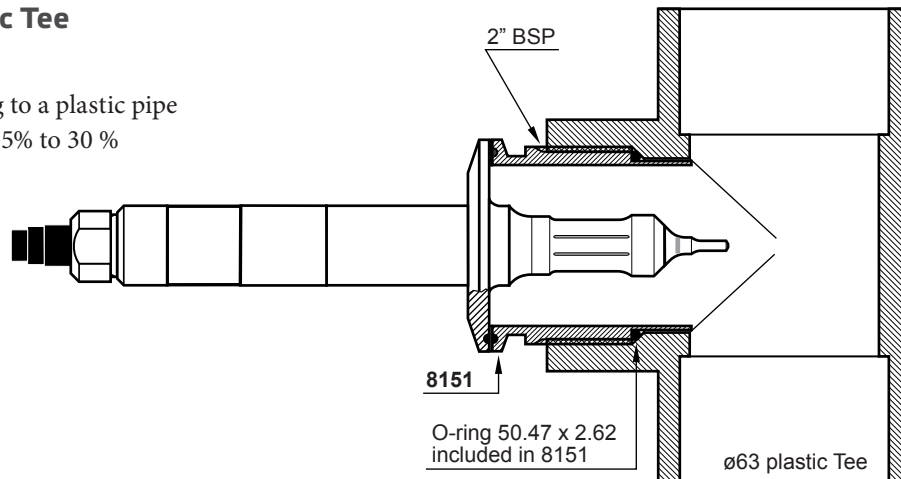
Hygienic mounting

- Mounting in an EHEDG approved process connection.
- Inside diameter of pipes at installation position must be 3" or more.

Mounting with type 8151 stainless steel nipple in a 2" plastic Tee

Warning!

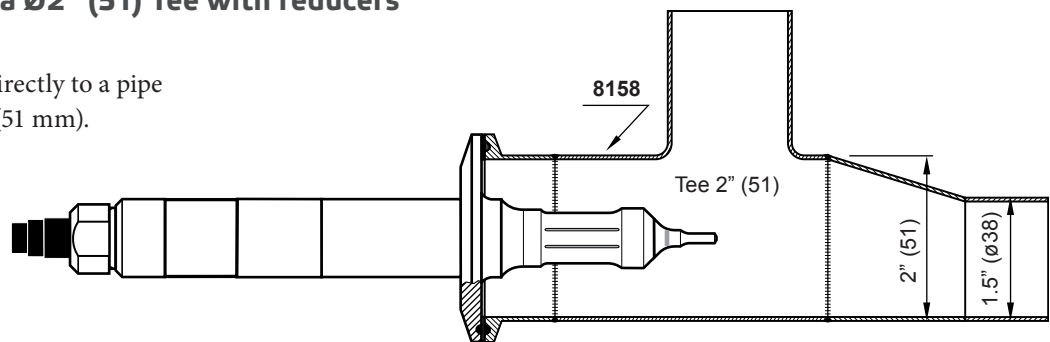
Direct mounting to a plastic pipe gives errors of -25% to 30 %



Mounting in a Ø2" (51) Tee with reducers

Warning!

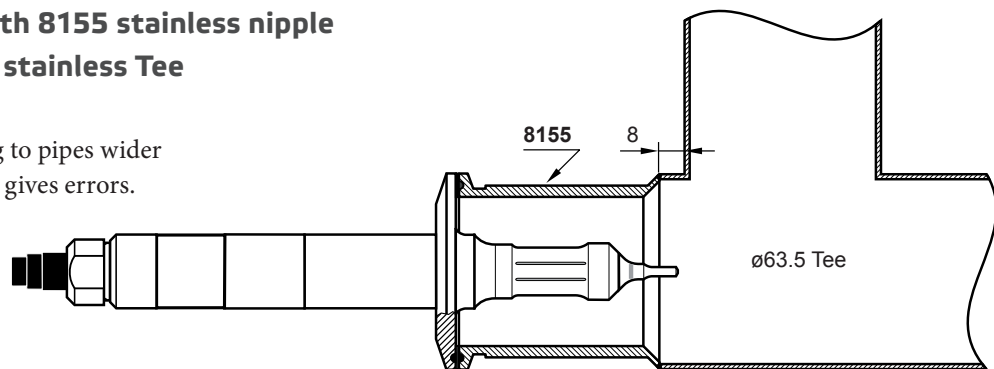
Do not mount directly to a pipe smaller than 2" (51 mm).



Mounting with 8155 stainless nipple in a 63.5mm stainless Tee

Warning!

Direct mounting to pipes wider than 2" (51 mm) gives errors.



dimensions in millimeters