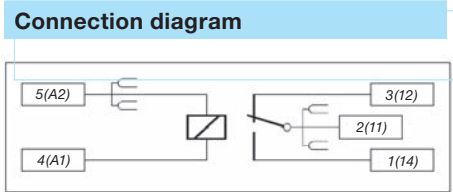
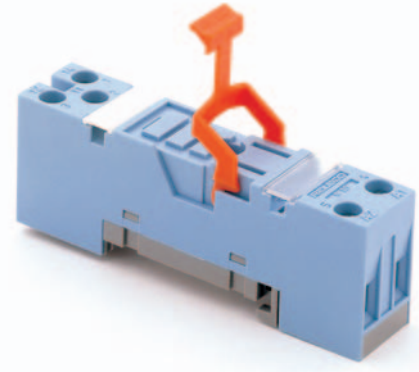
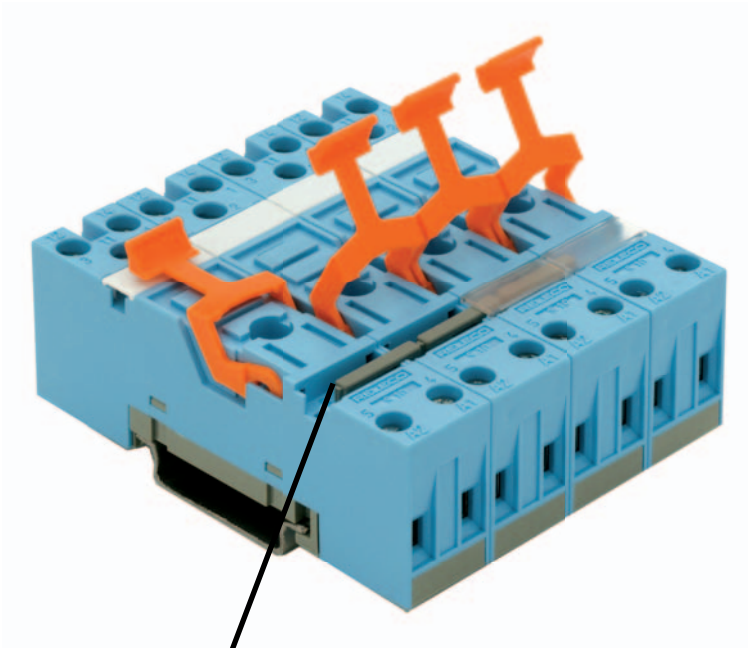
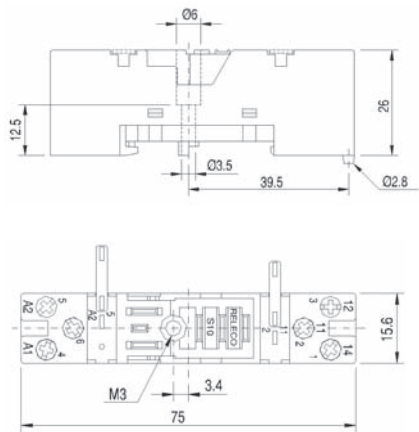


IRC series
S10
Socket for Interface relay

Type	S10 1-pole, 1 connection level Logic wiring Integrated retaining clip and labelling space Coil bridge bar for A2, 11
Rated current	10 A
Specifications	
Rated load	10 A/250 V
Insulation	Test voltage V rms 1 min 5 kV
- All terminals/DIN rail	
Cross-section of connecting wire	
- Single-wire	4 mm ² or 2 x 2,5 mm ²
- Multi-wire	22 - 14 AWG
Max. screw torque	1,2 Nm
Screw dimensions	M3, Pozi, slot
Integrated retaining clip/plastic	for relay series C10, CSS
Labelling space	detachable
Connection label	1...5; DIN/EN
Mounting	DIN rail TS35 or mounting plate
Ambient temperature operation/storage	-40 (no ice)...60 °C /-40 ... 80 °C
Socket for plug-in 10A IRC relays	C10-A, C10-T, CSS
Accessories	
Coil bridge bars	S10-BB



Dimensions [mm]



BRIDGE BAR

Technical approvals, conformities



EN 60947-1, EN 61810-5