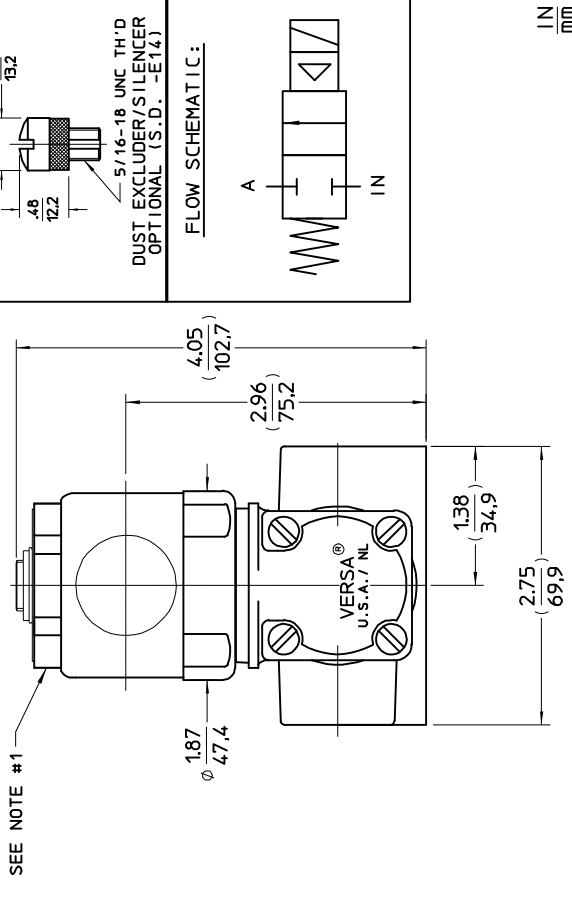
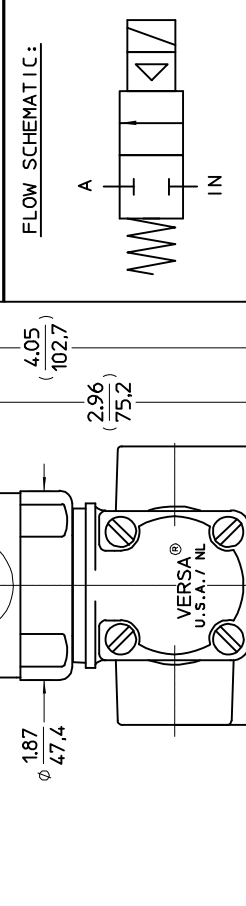
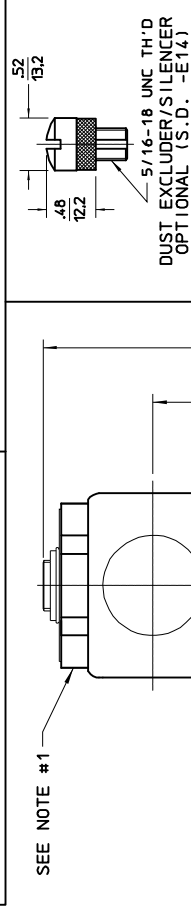
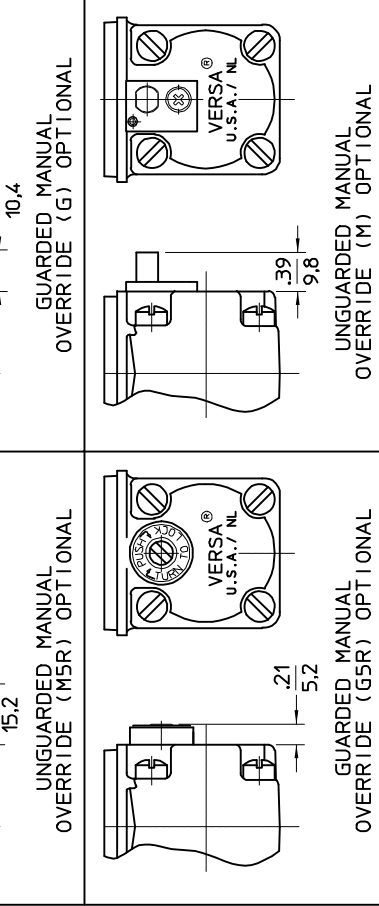
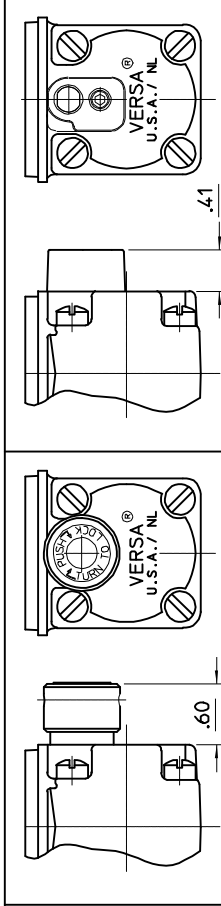
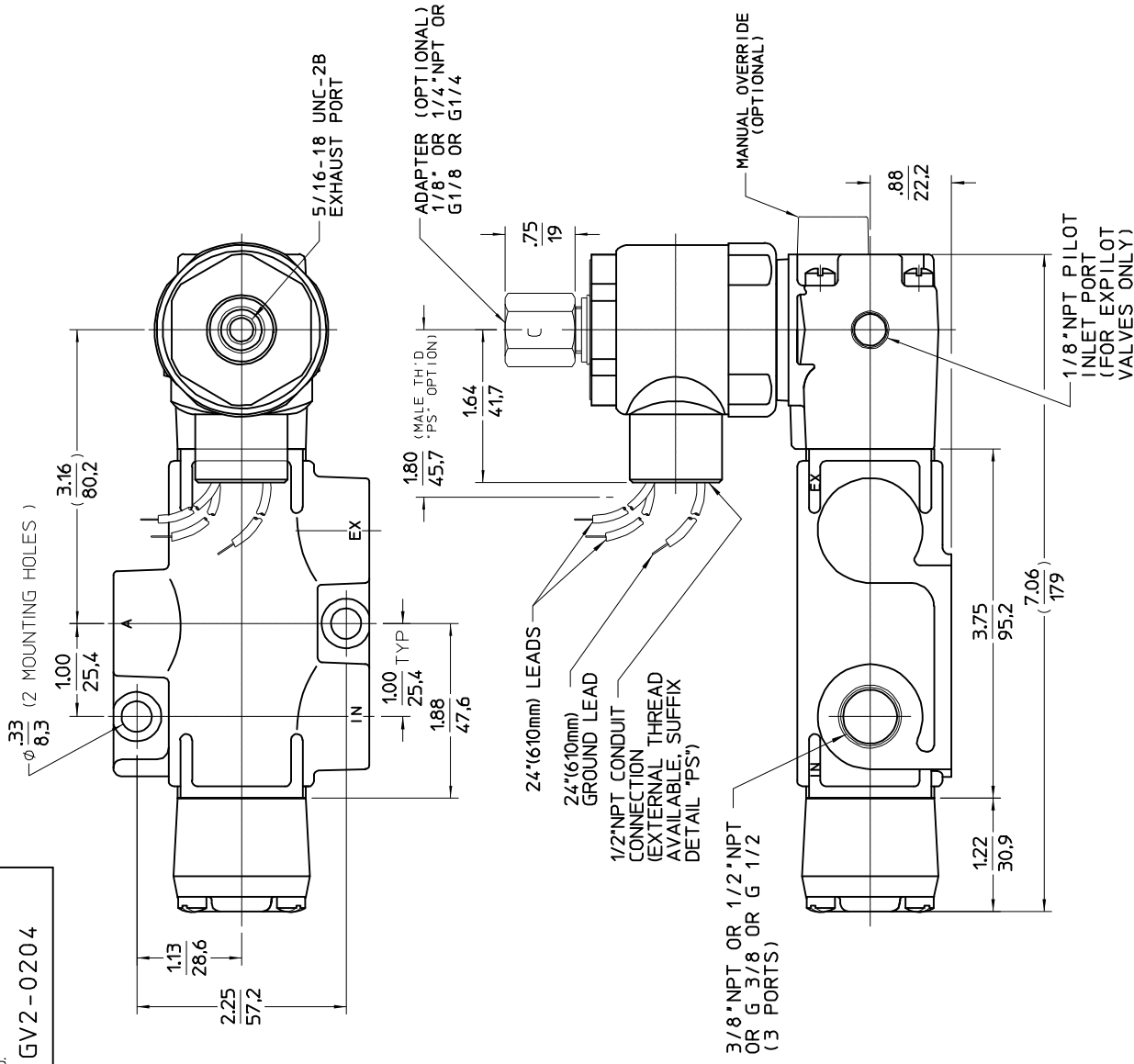


DWG. NO.

GV2-0204



DRAWN BY KF 8-7-08	CHECKED BY JN 8-13-08	ENG APPD BN 8-13-08	ORIG EWR TITLE 14645	VALVE ASSEMBLY, 2-WAY	
MATL	SCALE .75:1	NEXT ASSY	DWG SIZE B		
HARDNESS	UNLESS OTHERWISE SPECIFIED				
HEAT TREAT	2 PLACE DECIMAL $\pm .010$ ANGULAR DIMENSIONS $\pm .12^\circ$				
FINAL FINISH	3 PLACE DECIMAL $\pm .003$ BREAK CORNERS & EDGES .010				
	DIA'S ON SAME CENTERLINE CONCENTRIC WITHIN .006 T.I.R.				
	MACHINED SURFACES, FINISHED TO 64 R.M.S. MAX.				
	DO NOT SCALE DRAWING				
	THIS DRAWING IS CAD GENERATED AND THE PROPERTY OF VERSA PRODUCTS CO. INC. USE AND/OR REPRODUCTION OF ANY PORTION MUST BE WITH THE APPROVAL OF VERSA.				

B	JT 9-10-14	TITLE WAS VALVE ASSEMBLY 3-WAY	14,100
LTR	REV'D/CKD BY	DESCRIPTION	EWR NO/APPD BY
REVISION LEVEL			

- NOTES:
- 1) NUT CAN BE LOOSENED TO REORIENT CONDUIT CONNECTION, BUT MUST BE RETIGHTENED TO A TORQUE SETTING OF .75 INCH LBS.
  - 2) PRODUCT SHOWN WITH STANDARD 24" WIRE LEADS. ADDITIONAL WIRE LEAD LENGTHS AVAILABLE BY SPECIFYING APPROPRIATE SUFFIX DETAIL.

VERSA PRODUCTS CO. INC.  
 VERSA  
 PARANUS N. J., U.S.A.  
 VERSA BV, NETHERLANDS  
 DWG. NO. GV2-0204