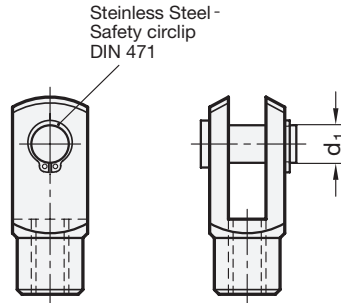
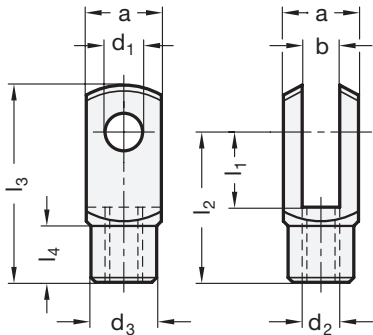


Fork head DIN 71752

Fork joint GN 751



ROSTFREI  
Inox  
Stainless  
Steel

4 Type

A Pin with retaining ring

<b>1</b> $d_1$ H9/h11	<b>2</b> $l_1$	<b>3</b> $d_2$	$a$	$b$	$d_3$	$l_2$	$l_3$	$l_4$
4	8	M 4	8	4	8	16	24	6
5	10	M 5	10	5	9	20	30	7,5
6	12	M 6	12	6	10	24	36	9
8	16	M 8	16	8	14	32	48	12
10	20	M 10	20	10	18	40	60	15
12	24	M 12	24	12	20	48	72	18
14	28	M 14	28	14	24	56	85	22,5
16	32	M 16	32	16	26	64	96	24
20	40	M 20	40	20	34	80	-	30

Specification

- Stainless Steel AISI 303 uncoated
- Safety circlip DIN 471 Stainless Steel German Material No. 1.4122
- ISO-Fundamental Tolerances → Page 1132
- Stainless Steel characteristics → Page 1144
- RoHS compliant

5

Information

Stainless Steel-Fork joints GN 751 consists of a fork head according to DIN 71752 and a pin with one safety circlip DIN 471.

Standard DIN 71752 does not foresee size  $d_1 = 20$ .

see also...

- Fork joints (Steel) GN 751 → Page 952
- Fork joints (Aluminium) GN 751 → Page 954

On request

- Fork heads in accordance with DIN 71752 with  $d_1 = 30$  and  $35$

Stainless Steel-Fork joint  <b>GN 751-8-16-M8-A-NI</b>	<b>1</b>	$d_1$
	<b>2</b>	$l_1$
	<b>3</b>	$d_2$
	<b>4</b>	Type
	<b>5</b>	Material

Stainless Steel-Fork head without pin  <b>DIN 71752-6-24-M6-NI</b>	<b>1</b>	$d_1$
	<b>2</b>	$l_1$
	<b>3</b>	$d_2$
	<b>5</b>	Material