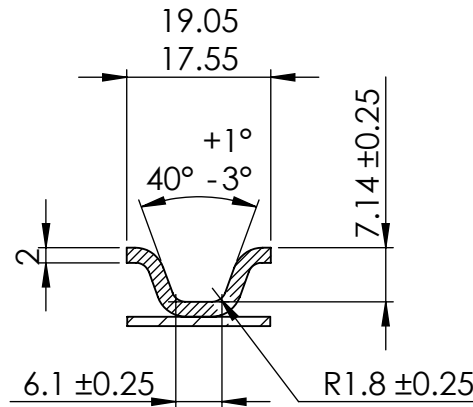
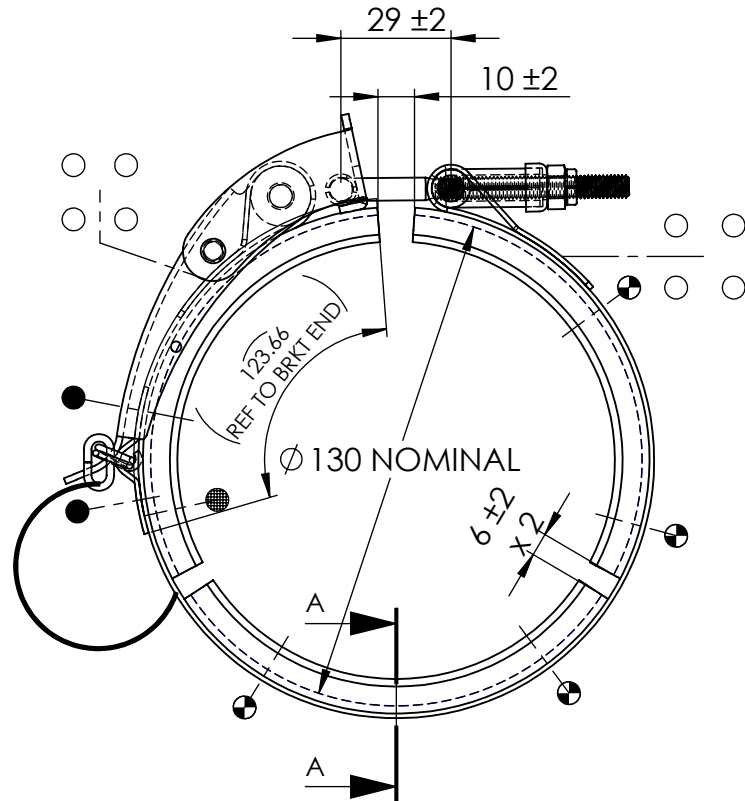


Gaps set with clamp mounted on a 130 Nominal dia mandrel, with trial nut torqued to 5.75Nm

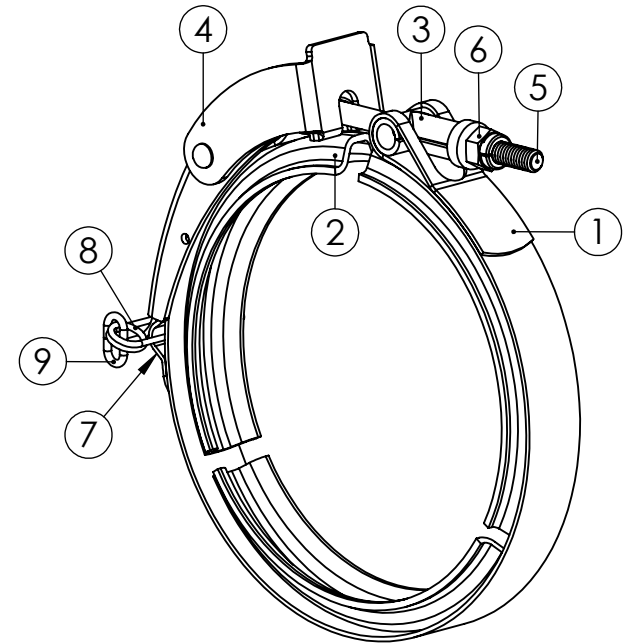
- Spotwelds:-
- Strap to strap
 - ◐ Strap to segment
 - Bracket to Strap to segment
 - ◑ Segment to strap. Note location to be beneath safety clip bracket

Part mark Stahlcon:-
STAHLCON GMBH
L130130043AB3A
W/O _____



A-A (1:1)

ITEM NO.	PART NUMBER	DESCRIPTION	QTY.
1	EAB0130B	STRAP 18.9 x 1.22 - 1.4301	1
2	S0430130A	SEGMENT (3) - 1.4301	3
3	ARN03	M6 1/4" TRUNNION - 1.4301 (304)	1
4	ALV02	M6 TOGGLE LEVER ASSY	1
5	ABT101	M6 x 76 T-BOLT	1
6	FNAB01	M6 AEROTIGHT NUT (Silver Plated) - 1.4301	1
7	FBK001	BRACKET	1
8	FCL005	Safety clip (316)	1
9	FMS005	CLOCK CHAIN	0.15M



TITLE:-

V CLAMP TOGGLE LEVER 3 SEGMENTS

STAHLCON
GMBH

If In Doubt Ask. Unless Otherwise Stated All Dimensions Are In Millimeters

The information in this drawing is our property and is to be held strictly in confidence by the recipient. No copy is to be made without our written permission. Disclosure of any technical information contained within the drawing is to be made only to those employees of the recipient who need to use the information and is the responsibility of the recipient to bind any such employees to retain such information in strict confidence. We reserve the right to amend the information contained in this drawing.

A4

TOLERANCE (x)	±1	ANGLES	±0.5°	THIRD ANGLE PROJECTION
TOLERANCE x	±0.5	DO NOT SCALE		
TOLERANCE x.xx	±0.25			
DRAWN BY:	BS	DRAWING NUMBER		ISSUE No:
DATE:	31/01/2011	L130130043AB3A		6
CHECKED BY:	Nigel Butterfield			
DATE:	31/01/2011			