



AirMist pneumatic atomizing nozzles

Flat fan, pressurized liquid supply, external mix

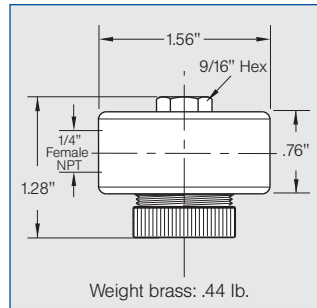
Series 136.6



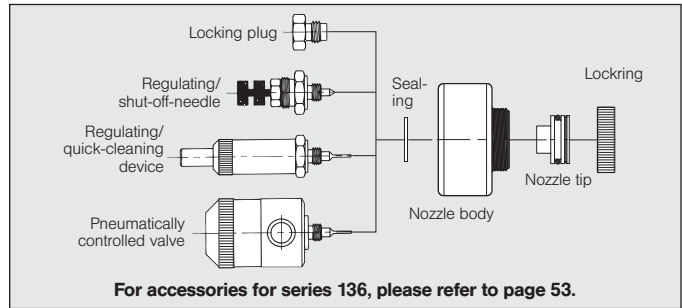
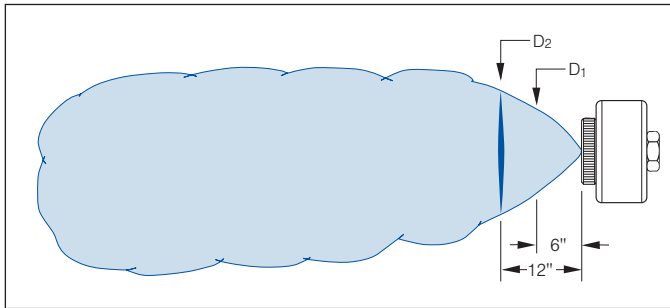
Fine flat fan atomization with air or gas.
Liquid pressure principle.
External mixing of fluids.

Applications:

- Web dampening
- Cooling
- Humidification of goods
- Atomization of viscous liquids



Additional flow rate data available upon request. The body is also available in a rectangular design.



Pneumatic atomizing

Spray angle	Ordering no.		Maximum Free Passage (in.)	Liquid Flow GPH (Gallons Per Hour) at Indicated Liquid Pressure Air Flow SCFM (Standard Cubic Feet Per Minute)												Spray Dimensions			
	Type	Mat. no.		1 psi			2 psi			4 psi			5 psi			Air psi	Liq. psi	D1 (in.)	D2 (in.)
				Air psi	GPH	SCFM	Air psi	GPH	SCFM	Air psi	GPH	SCFM	Air psi	GPH	SCFM				
45°	136. 616. xx. B2	○ ○	.016	12	.44	1.4	12	.64	1.4	12	.90	1.5	15	.97	1.6	20	1	3	5
				23	.51	2.2	20	.68	2.1	23	.93	2.2	26	1.0	2.4	32	2	4	5
				35	.55	2.9	32	.73	2.8	35	.96	2.9	38	1.0	3.1	46	3	4	5
				46	.58	3.6	44	.72	3.5	46	.96	3.6	49	1.0	3.8	58	4	4	6
				58	.59	4.3	58	.73	4.3	58	.97	4.3	61	1.0	4.5	73	5	4	6
				70	.59	5.0	70	.73	5.0	70	.97	5.0	72	1.0	5.2				
	136. 635. xx. B2	○ ○	.020	12	.63	1.4	12	.91	1.4	12	1.3	1.4	15	1.4	1.6	20	1	3	5
				23	.75	2.2	23	.97	2.2	23	1.3	2.2	26	1.4	2.4	32	2	4	5
				35	.82	2.9	35	1.0	2.9	35	1.4	2.9	38	1.5	3.1	46	3	4	5
				47	.85	3.6	47	1.0	3.6	46	1.4	3.6	49	1.5	3.8	58	4	4	6
				58	.85	4.3	58	1.0	4.3	58	1.4	4.3	61	1.5	4.4	73	5	4	6
				70	.85	5.0	70	1.0	5.0	70	1.4	5.0	73	1.5	5.1				
	136. 654. xx. B2	○ ○	.028	12	1.4	1.4	12	1.9	1.4	17	2.7	1.8	23	2.9	2.2	20	1	4	5
				23	1.5	2.2	23	2.0	2.2	29	2.7	2.5	35	3.0	2.9	32	2	4	6
				35	1.6	2.9	35	2.1	2.9	41	2.8	3.2	46	3.0	3.6	46	3	4	6
				46	1.7	3.6	46	2.1	3.6	52	2.8	3.9	58	3.0	4.3	58	4	4	6
				58	1.7	4.2	58	2.1	4.3	64	2.8	4.6	69	3.0	4.9	73	5	4	6
				70	1.7	5.0	70	2.1	4.9	75	2.8	5.3	81	3.0	5.6				

Continued on next page.

Example **Type** **+ Material no. (xx)** **= Ordering no.**
for ordering: 136. 616. xx. B2 + 1Y = 136. 616. 1Y. B2

For accessories and spare parts, see page 53 of this section.

For various configurations to mount your pneumatic air nozzles, see the Lances and Nozzle Headers section beginning on page 137.





AirMist pneumatic atomizing nozzles

Flat fan, pressurized liquid supply, external mix

Series 136.6

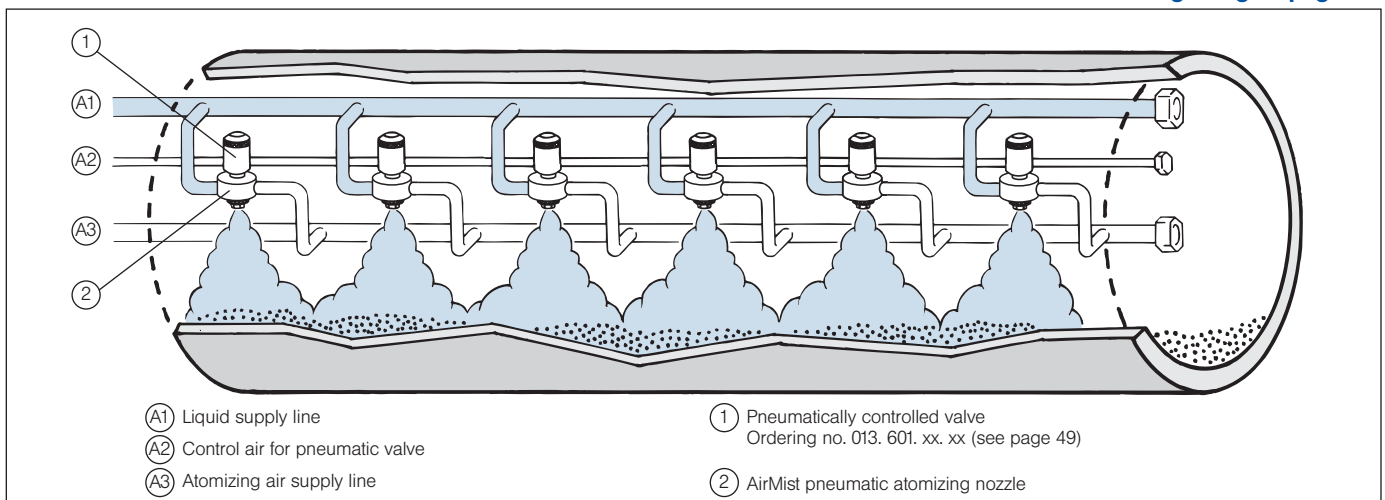


Pneumatic atomizing

Spray angle	Ordering no.		Maximum Free Passage (in.)	Liquid Flow GPH (Gallons Per Hour) at Indicated Liquid Pressure Air Flow SCFM (Standard Cubic Feet Per Minute)												Spray Dimensions				
	Type	Mat. no.		1 psi			2 psi			4 psi			5 psi			Air psi	Liq. psi	D1 (in.)	D2 (in.)	
				Air psi	GPH	SCFM	Air psi	GPH	SCFM	Air psi	GPH	SCFM	Air psi	GPH	SCFM					
	316L SS 1Y	Brass Nickel Plate 35																		
60°	136. 626. xx. B2	○	○	.016	12	.48	1.7	12	.66	1.7	12	.92	1.6	12	1.00	1.7	23	1	3	5
					23	.55	2.5	23	.71	2.5	23	.97	2.5	23	1.0	2.5	35	2	4	6
					35	.59	3.3	35	.75	3.3	35	.97	3.3	35	1.0	3.3	46	3	4	6
					46	.61	4.1	46	.76	4.1	46	1.00	4.1	46	1.1	4.1	58	4	4	6
					58	.63	4.9	58	.78	4.9	58	1.0	4.9	58	1.1	4.9	75	5	4	6
					70	.63	5.7	70	.78	5.7	70	1.0	5.7	70	1.1	5.7				
	136. 645. xx. B2	○	○	.020	12	.72	1.7	12	.97	1.7	15	1.4	1.9	14	1.5	1.9	23	1	4	6
					23	.82	2.5	23	1.1	2.5	26	1.4	2.7	26	1.5	2.7	35	2	4	6
					35	.89	3.3	35	1.1	3.3	38	1.4	3.5	38	1.5	3.5	46	3	5	6
					46	.91	4.1	46	1.1	4.1	49	1.5	4.3	49	1.6	4.3	58	4	5	6
					58	.93	4.9	58	1.1	4.9	61	1.5	5.1	61	1.6	5.1	75	5	5	6
					70	.94	5.7	70	1.2	5.7	72	1.5	5.9	73	1.6	5.9				
	136. 664. xx. B2	○	○	.028	12	1.4	1.6	15	2.0	1.9	15	2.8	1.9	14	3.0	1.9	23	1	4	6
					23	1.6	2.5	26	2.1	2.7	26	2.9	2.7	26	3.1	2.7	35	2	5	6
					35	1.8	3.3	38	2.2	3.5	38	2.9	3.5	38	3.1	3.5	46	3	6	7
					46	1.8	4.1	49	2.3	4.3	49	3.0	4.3	49	3.2	4.3	58	4	6	7
					58	1.9	4.9	61	2.3	5.1	61	3.0	5.1	61	3.2	5.1	75	5	6	8
					70	1.9	5.7	73	2.3	5.9	72	3.0	5.9	73	3.2	5.9				
	136. 673. xx. B2	○	○	.039	15	3.8	4.5	20	4.9	5.5	29	6.5	6.9	35	7.0	7.9	23	1	5	6
					26	3.7	6.5	32	4.7	7.4	41	6.2	8.9	46	6.5	9.8	35	2	5	6
					38	3.6	8.3	44	4.4	9.4	52	5.6	11	58	5.8	12	46	3	5	6
					49	3.4	10	55	4.0	11	64	5.0	13	70	5.1	14	58	4	5	6
					61	3.2	12	67	3.7	13	75	4.4	15	81	4.5	16	75	5	5	7
					73	2.9	14	78	3.2	15	84	4.0	16							
136. 682. xx. B2	○	○	.059	15	5.9	4.4	20	7.6	5.5	26	11	6.5	29	12	6.9	23	1	4	6	
				26	5.0	6.5	32	6.3	7.4	38	8.8	8.4	41	9.3	8.9	35	2	5	6	
				38	4.5	8.3	44	5.6	9.3	49	7.5	10	52	8.0	11	46	3	5	6	
				49	4.2	10	55	5.1	11	61	6.7	12	64	7.1	13	58	4	5	6	
				61	4.2	12	67	4.9	13	73	6.1	14	75	6.4	15	75	5	5	7	
				73	4.0	14	78	4.6	15	84	5.6	16	87	5.9	16					
136. 691. xx. B2	○	○	.098	26	13	9.6	35	17	12	43	23	14	44	26	14	23	1	6	8	
				38	13	13	46	16	15	55	21	17	55	23	17	35	2	6	8	
				49	12	15	58	15	18	67	20	20	67	21	20	46	3	6	8	
				61	11	18	70	14	20	78	18	23	78	20	22	58	4	6	8	
				73	11	21	81	13	23	87	17	25	87	18	25	75	5	6	8	
				78	10	23	87	12	25											

Example for ordering: Type 136. 626. xx. B2 + Material no. (xx) 1Y = Ordering no. 136. 626. 1Y. B2

For accessories and spare parts, see page 53 of this section.
For various configurations to mount your pneumatic air nozzles, see the Lances and Nozzle Headers section beginning on page 137.



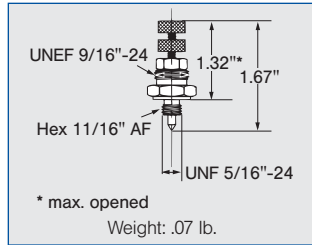
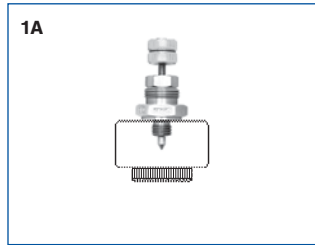
Cereal dampening in a mixing drum



Accessories for the AirMist pneumatic atomizing nozzles Series 136

Regulating device and shut-off needle:

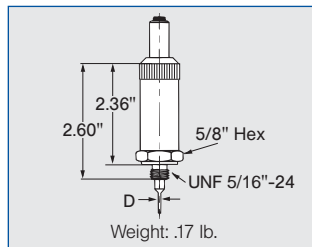
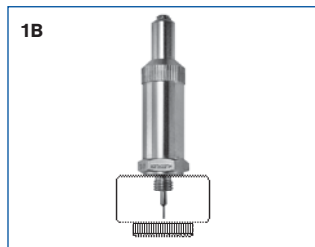
Shuts off flow and controls liquid supply – manually operated



Ordering no.		For all 136 series nozzles
Assembly part no.	Mat. no.	
	303 SS 16	
015. 600	○	

Regulating device with quick-cleaning needle:

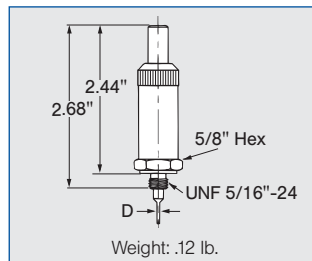
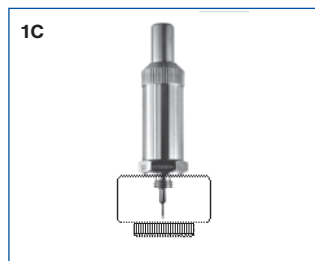
Combines orifice cleaning with liquid flow control – manually operated



Ordering no.		Use the 6th digit to determine appropriate accessory Example: 136.414.1Y.B2	Needle diameter D (in.)	
Assembly part no.	Mat. no.			
	303 SS 16	Brass Nickel Plate 35		
013. 601. xx. 30	○	○	136. xx1. xx. B2	.085
013. 602. xx. 30	○	○	136. xx2. xx. B2	.048
013. 603. xx. 30	○	○	136. xx3. xx. B2	.034
013. 604. xx. 30	○	○	136. xx4. xx. B2	.024
013. 605. xx. 30	○	○	136. xx5. xx. B2	.016
013. 606. xx. 30	○	○	136. xx6. xx. B2	.012

Quick-cleaning device:

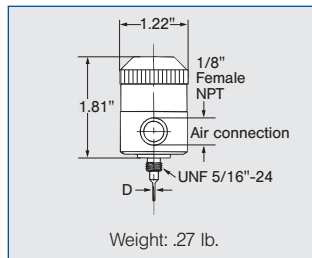
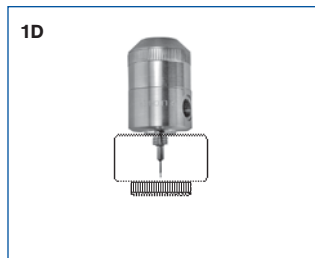
Does orifice cleaning with push-button pin – manually operated



013. 601. xx. 20	○	○	136. xx1. xx. B2	.085
013. 602. xx. 20	○	○	136. xx2. xx. B2	.048
013. 603. xx. 20	○	○	136. xx3. xx. B2	.034
013. 604. xx. 20	○	○	136. xx4. xx. B2	.024
013. 605. xx. 20	○	○	136. xx5. xx. B2	.016
013. 606. xx. 20	○	○	136. xx6. xx. B2	.012

Pneumatically controlled valve:

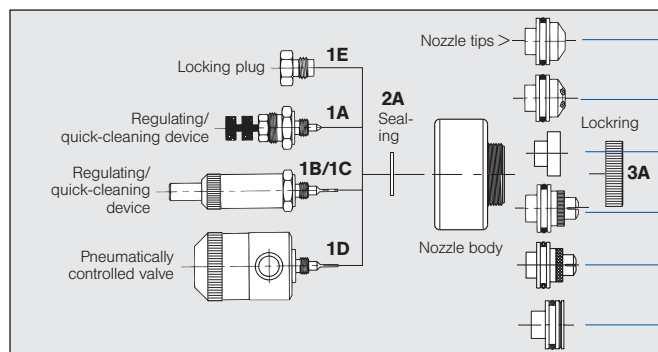
Opening pressure 30 psi, max. 180 cycles/min. Connects to separate air inlet for fast on/off operation – externally controlled



013. 601. xx. 10	○	○	136. xx1. xx. B2	.085
013. 602. xx. 10	○	○	136. xx2. xx. B2	.048
013. 603. xx. 10	○	○	136. xx3. xx. B2	.034
013. 604. xx. 10	○	○	136. xx4. xx. B2	.024
013. 605. xx. 10	○	○	136. xx5. xx. B2	.016
013. 606. xx. 10	○	○	136. xx6. xx. B2	.012

Example **Type** + **Material no. (xx)** = **Ordering no.**
for ordering: 013. 602. xx. 20 + 16 = 013. 602. 16. 20

- 1E** for Series 136/166
Locking plug
136. 000. 1Y. 00. 04
- 2A** for Series 136
Seal
095. 015. 7A. 03. 04
- 3A** for Series 136/166
Lockring
136. 000. 1Y. 00. 07



- Nozzle tips***
- Series 136.1/166.1
136. xxx. 1Y. 00. 03
 - Series 136.2/166.2
136. xxx. 1Y. 00. 03
 - Series 136.3/166.3
136. xxx. 1Y. 00. 03
 - Series 136.4/166.4
136. xxx. 1Y. 00. 03
 - Series 136.5/166.5
136. xxx. 1Y. 00. 03
 - Series 136.6/166.6
136. xxx. 1Y. 00. 03

* Use the 3 digits from the full nozzle assembly for the spare tip part number
Example:
136.414.17.B2

Pneumatic atomizing