

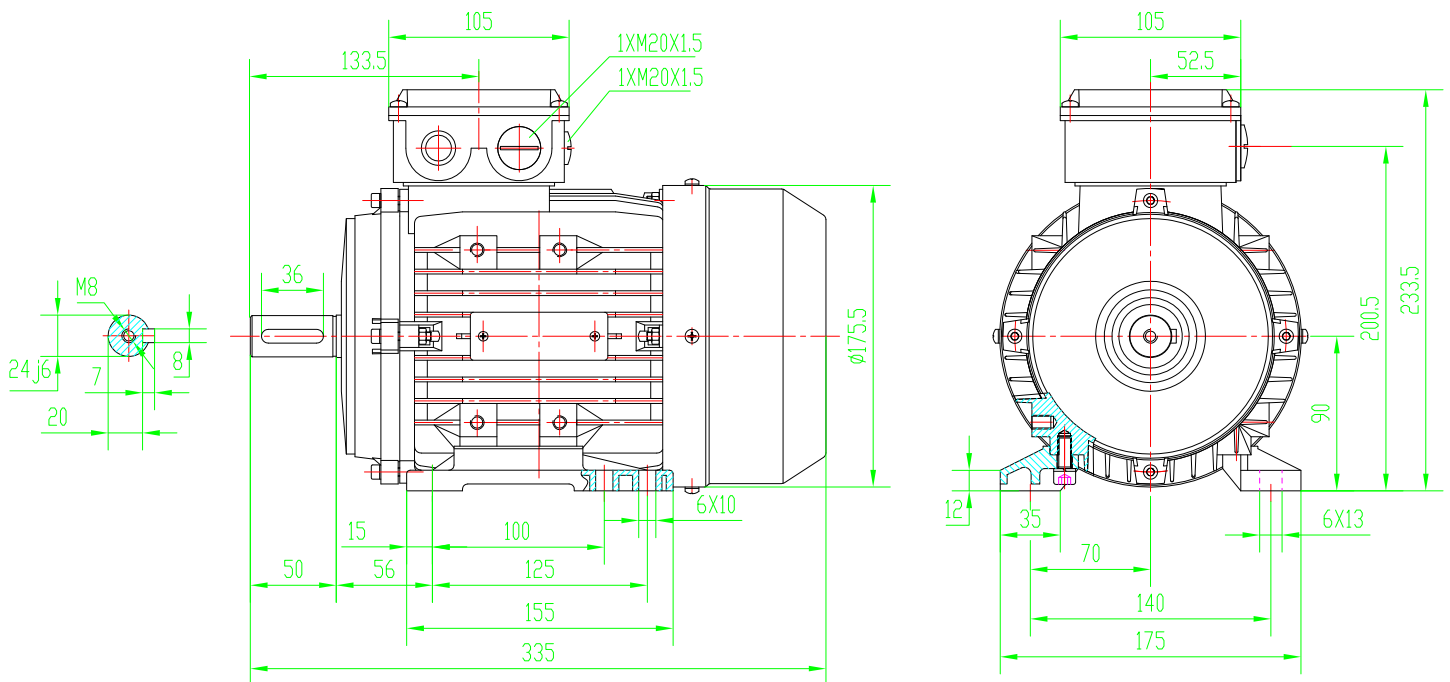
ME90L-4 1,5KW 230/400V B3

Three-phase asynchronous motor in aluminium

Motor type ME90L-4 1,5KW 230/400V B3
 Brand BUSCK
 Item number 83040911

Voltage V	Power kW	Frequency Hz	Current A	Speed rpm
230	1,5	50	6,35	1420
400	1,5	50	3,65	1420
460	1,73	60	3,65	1704

Duty	S1	Efficiency class	IE2
Enclosure	IP55	Efficiency, load 100%	82,8
Insulation class	F	Efficiency, load 75%	83,4
Cooling	IC411 (TEFC)	Efficiency, load 50%	81,8
Max. ambient temp.	40°C	Power fact, load 100%	0,72
Min. ambient temp.	-20°C	Painting	Standard
Max. temp. rise	80 K	Color	RAL 9005
Max altitude, masl	1000	Weight kg	18
Torque, Nm	10,1	Sound pressure Lp dB(A)	61
Starting torque ratio	4	Bearing DE	6205-2Z
Pull out torque ratio	2,7	Bearing NDE	6205-2Z
Starting current ratio	7,2	Cable entries	1xM20
Balance grade	Normal		
Inertia kgm ²	0,00314		



BUSCK

Busck & Co AB
 Gamla Riksvägen 14
 428 32 Göteborg
 Sweden
 info@busck.se
 www.busck.se

Busck & Co ApS
 Postboks 108
 0900 København C
 Denmark
 info@busckco.dk

Busck AS
 Postboks 346
 N-1401 Ski
 Norway
 info@busck.no