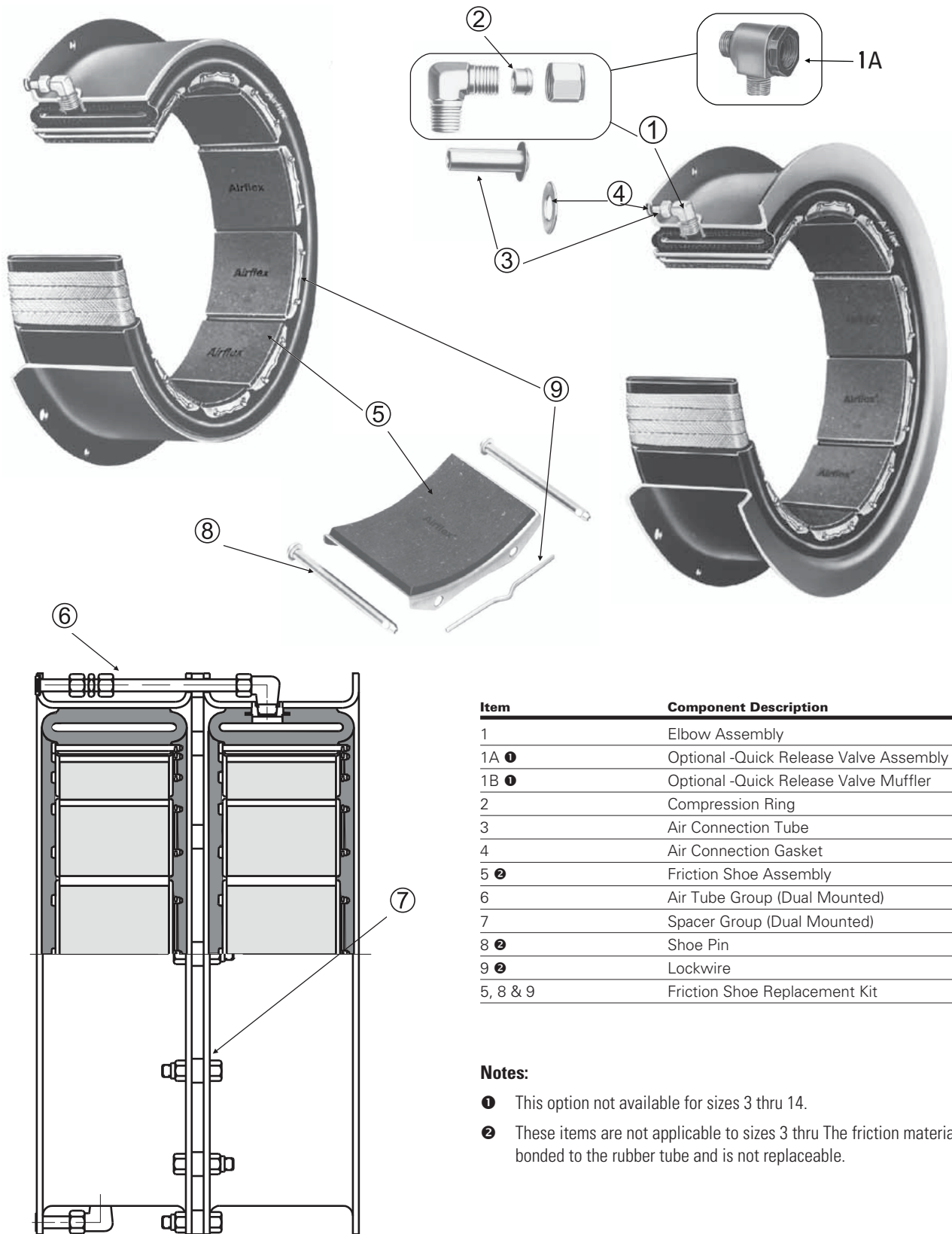


# Airflex® CB Component Descriptions

## Section B



Item	Component Description
1	Elbow Assembly
1A ❶	Optional -Quick Release Valve Assembly
1B ❶	Optional -Quick Release Valve Muffler
2	Compression Ring
3	Air Connection Tube
4	Air Connection Gasket
5 ❷	Friction Shoe Assembly
6	Air Tube Group (Dual Mounted)
7	Spacer Group (Dual Mounted)
8 ❷	Shoe Pin
9 ❷	Lockwire
5, 8 & 9	Friction Shoe Replacement Kit

### Notes:

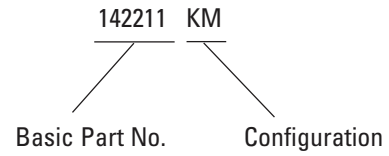
- ❶ This option not available for sizes 3 thru 14.
- ❷ These items are not applicable to sizes 3 thru The friction material is bonded to the rubber tube and is not replaceable.

# Airflex® CB Element Part Numbers

## Section B

A double alpha suffix is added to the basic element part number to completely describe the element configuration.

The basic element part number is shown on the element catalog pages. Alphas for the more common element configurations are shown on this page. The element part number used in the above example identifies a 16CB500 element equipped with standard friction linings and one side connection.



### Alpha Suffixes for 3 thru 14 CB Elements

No. of Valves, Side Connections, or QRV's	Type of Lining	Special Rim Features	Alpha Suffixes	
			Valves only	With Side Connections
1	Standard		JA	JB
1	Standard	Slotted	JC	
1	Cork <b>1</b>		JT	JN
1	Cork <b>1</b>	Slotted	JU	
2	Standard		JH	JG
2	Standard	Slotted	JK	
2	Cork <b>1</b>			JQ

# Airflex® Single CB Elements

## Form CB-401 Technical Data — Sizes 3 to 14 Section B

English		lb · in @75psi	rpm	psi/rpm <sup>2</sup>	lb · ft <sup>2</sup>	lb	in <sup>2</sup>	inches		in <sup>2</sup>	inches
3CB150	142252	360	2000	1.5 E-06	0.1	1.8	14	0.20	0.04	7	2.90
4CB200	142840	1000	2000	1.7 E-06	0.2	2.5	23	0.12	0.03	10	3.90
5CB200	142253	1460	2000	2.0 E-06	0.4	3.5	30	0.20	0.04	17	4.90
6CB200	142095	2040	1800	6.0 E-06	1.0	7.0	36	0.14	0.06	19	5.90
8CB250	142096	4290	1800	7.0 E-06	2.0	9.0	61	0.12	0.06	30	7.90
10CB300	142197	8150	1800	10.0 E-06	6.0	19.0	91	0.20	0.06	50	9.90
12CB350	142098	13300	1800	12.0 E-06	11.0	26.0	128	0.20	0.06	80	11.90
14CB400	142087	19700	1800	15.0 E-06	17.0	31.0	170	0.20	0.06	70	13.90

Size	Part Number	M <sub>d</sub> Torque Rating	Maximum Speed	C <sub>s</sub> Centrifugal Loss Constant	Wk <sup>2</sup> J	Weight Mass	Friction Area	Friction Lining Thickness		Air Tube Cavity	Minimum Drum Diameter
								New	Worn		
3CB150	142252	40,7	2000	0,10 E-06	0,00	0,8	90,3	5	1	0,12	74
4CB200	142840	113	2000	0,12 E-06	0,01	1,1	148,4	3	1	0,17	99
5CB200	142253	165	2000	0,14 E-06	0,02	1,6	193,5	5	1	0,28	124
6CB200	142095	231	1800	0,41 E-06	0,04	3,2	232,2	4	2	0,32	150
8CB250	142096	485	1800	0,48 E-06	0,08	4,1	393,5	3	2	0,49	201
10CB300	142197	921	1800	0,69 E-06	0,25	8,6	587,0	5	2	0,82	251
12CB350	142098	1500	1800	0,83 E-06	0,46	12	825,6	5	2	1,31	302
14CB400	142087	2230	1800	1,04 E-06	0,71	14	1096,5	5	2	1,15	353

SI		N · m @ 5,2bar	rpm	bar/rpm <sup>2</sup>	kg · m <sup>2</sup>	kg	cm <sup>2</sup>	millimeters		dm <sup>3</sup>	millimeters
----	--	-------------------	-----	----------------------	---------------------	----	-----------------	-------------	--	-----------------	-------------

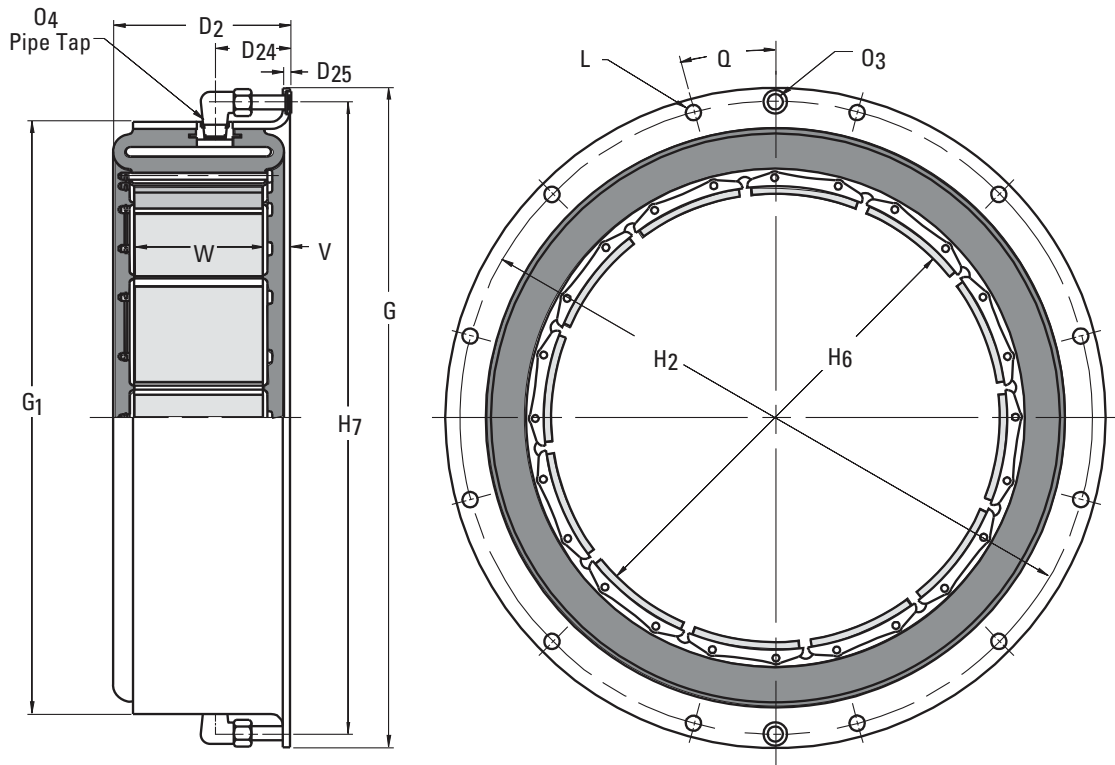
### Notes:

- ① Refers to basic part number only. When ordering, the number of air inlets and type of connection must be specified.
- ② Dynamic torque shown, static torque approximately 25% greater. Torque in each application is dependent upon air pressure and speed.
- ③ Tolerance for sizes:  
3 thru 5  
+0.000/-0.003 in (+0,00/-0,08 mm)  
6 and larger  
+0.000/-0.005 in (+0,00/-0,13 mm)
- ④ American National Pipe Thread.  
Sizes 3 thru 5 only available with one air inlet. All other sizes available with either one or two air inlets.
- ⑤ Maximum rpm is dependent upon operating conditions and varies for each application. Consult factory for applications exceeding these speeds.
- ⑥ Drum contact with worn shoes.

# Airflex® Single CB Elements

## Form CB-401 Dimensional Data — Sizes 3 to 14

### Section B



English		lb · in @75psi	Dimensions in inches															
Size	Part Number		D <sub>2</sub>	D <sub>24</sub>	D <sub>25</sub>	G	G <sub>1</sub>	H <sub>2</sub>	H <sub>6</sub>	H <sub>7</sub>	L (Bolt)	O <sub>2</sub>	O <sub>4</sub>	Q (Deg)	V	W		
3CB150	142252	360	2.16	1.18	0.10	6.299	4.86	5.748	3.15	5.75	8	0.25	0.28	1/8-27	22.500	0.35	6	1.50
4CB200	142840	1000	2.63	1.38	0.09	7.248	5.81	6.688	4.13	6.69	8	0.25	0.19	1/8-27	22.500	0.38	6	2.00
5CB200	142253	1460	2.85	1.50	0.10	8.819	7.20	8.071	5.16	8.07	8	0.31	0.29	1/8-27	22.500	0.48	6	2.00
6CB200	142095	2040	2.94	1.56	0.09	10.752	9.06	10.000	6.16	10.00	8	0.38	0.31	3/8-18	22.500	0.56	6	2.00
8CB250	142096	4290	3.44	1.91	0.09	12.875	11.19	12.125	8.16	12.13	8	0.38	0.31	3/8-18	22.500	0.56	8	2.50
10CB300	142197	8150	4.13	2.00	0.19	15.373	13.63	14.625	10.13	14.63	12	0.38	0.31	3/8-18	15.000	0.69	10	3.00
12CB350	142098	13300	4.72	2.00	0.19	17.625	15.88	16.875	12.13	16.88	14	0.38	0.31	3/8-18	12.857	0.69	12	3.50
14CB400	142087	19700	5.22	2.00	0.19	19.625	17.88	18.875	14.13	18.88	16	0.38	0.31	3/8-18	11.250	0.69	14	4.00

SI		N · m @ 5,2bar	Dimensions in millimeters															
Size	Part Number		D <sub>2</sub>	D <sub>24</sub>	D <sub>25</sub>	G	G <sub>1</sub>	H <sub>2</sub>	H <sub>6</sub>	H <sub>7</sub>	L (Bolt)	O <sub>2</sub>	O <sub>4</sub>	Q (Deg)	V	W		
3CB150	142252	40,7	55	30	2	160,0	123	146,0	80	146	8	6	7	1/8-27	22,500	9	6	38
4CB200	142840	113	67	35	2	184,1	148	169,9	105	170	8	6	5	1/8-27	22,500	10	6	51
5CB200	142253	165	72	38	2	224,0	183	205,0	131	205	8	8	7	1/8-27	22,500	12	6	51
6CB200	142095	231	75	40	2	273,1	230	254,0	156	254	8	10	8	3/8-18	22,500	14	6	51
8CB250	142096	485	87	48	2	327,0	284	308,0	207	308	8	10	8	3/8-18	22,500	14	8	64
10CB300	142197	921	105	51	5	390,5	346	371,5	257	371	12	10	8	3/8-18	15,000	17	10	76
12CB350	142098	1500	120	51	5	447,7	403	428,6	308	429	14	10	8	3/8-18	12,857	17	12	89
14CB400	142087	2230	133	51	5	498,5	454	479,4	359	479	16	10	8	3/8-18	11,250	17	14	102