

# CRBB/2-250/084M

## IP44

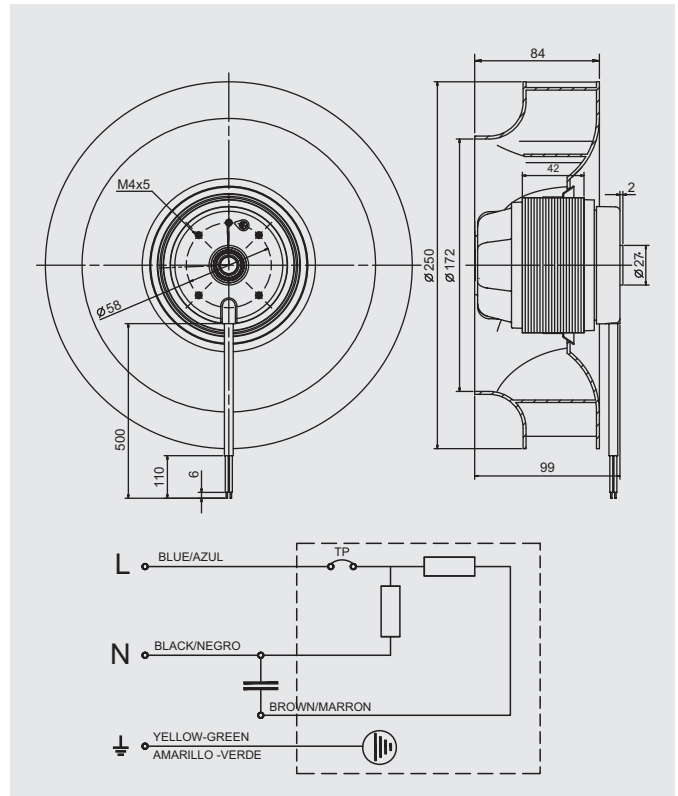
bmax™



Dimensiones y conexiones  
Dimensions and wiring

### Características Characteristics

<b>Tensión Voltage</b>	1 230V 50/60Hz
<b>Tipo motor Motor type</b>	1V IP44 cl.F 1S
<b>Velocidad Speed</b>	2 polos 2 poles
<b>Potencia absorbida máxima Maximum absorbed power</b>	219/312 W
<b>Intensidad absorbida máxima Maximum absorbed current</b>	0,9/1,3 A
<b>Condensador Capacitor</b>	5 F/450V
<b>Temperatura del aire Air temperature</b>	-40°C < T < +70/40°C
<b>Peso Weight</b>	2,8 kg
<b>Código ventilador Fan code number</b>	<b>5509310500</b>
<b>Código motor Motor code number</b>	



### Curvas características / Performance curves (17/01/2014)

	Fan data	ErP	
		2013	2015
Installation category	A		
Efficiency category	Static		
VSD must be installed with the fan	No		
Specific ratio	1,004		
Overall efficiency [%]	44,9	40,6	44,6
Efficiency grade	62,3	58,0	62,0
Absorbed power [kW]	0,219		
Air volume [m <sup>3</sup> /h]	892		
Total pressure [Pa]	397		
Speed [RPM]	2582		

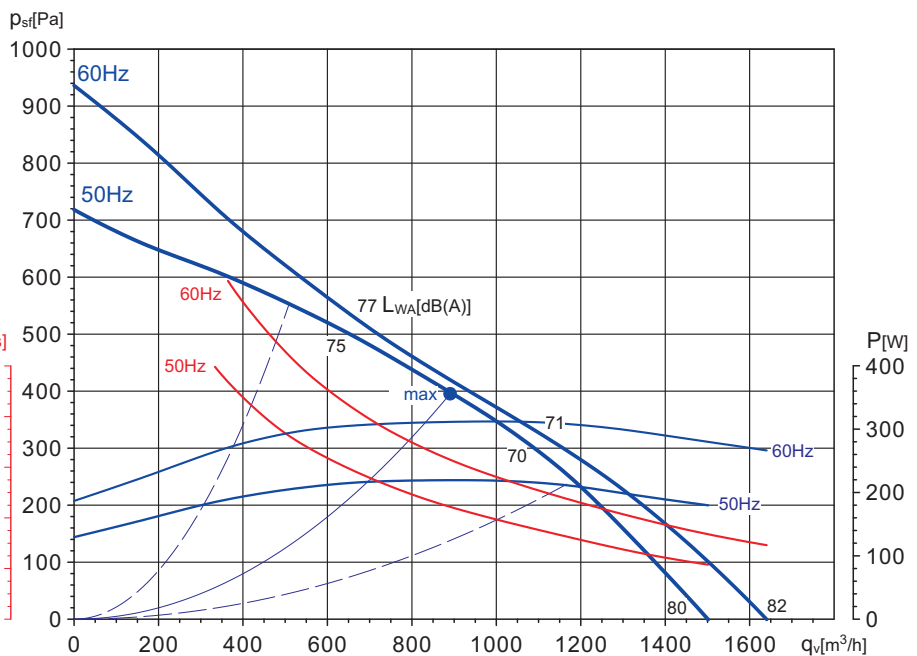
\* Data at optimum efficiency working point

Norma ensayo: ISO 5801  
Ventilador probado sin reja y con embocadura

Test standard: ISO 5801  
Fan tested without guard and with bellmouth entry

Espectro de potencia (LwA) en dB(A) en aspiración y descarga en punto de trabajo de presión baja (L), media (M), alta (H)

Sound power spectrum (LwA) in dB(A), at the fan inlet and outlet in low(L), medium(M) or high(H) pressure working point.



Hz	63	125	250	500	1000	2000	4000	8000	LwA
L	38	51	62	70	77	73	69	72	80
M	37	47	60	62	65	63	63	59	70
H	48	57	66	71	71	67	63	56	75

Hz	63	125	250	500	1000	2000	4000	8000	LwA
L	40	52	66	72	81	81	74	73	85
M	39	48	63	65	71	72	65	61	76
H	50	60	69	74	77	76	66	61	81



Soler&Palau  
Ventilation Group



www.servorecambios.com  
www.sr-electricmotors.com

Barcelona • Telf. (+34) 93 462 08 19 • Fax (+34) 93 462 07 88