

Model No.

T6C - 022 - 1 R 00 - B 1 - ..

Series SAE B 2 bolts
Mounting flange J744

Displacement

Volumetric displacement (in³/rev)

003 = .66	017 = 3.56
005 = 1.05	020 = 3.89
006 = 1.30	022 = 4.29
008 = 1.61	025 = 4.84
010 = 2.08	028 = 5.42
012 = 2.26	031 = 6.10
014 = 2.81	

Type of shaft

- 1 = keyed (SAE B)
- 2 = keyed (non SAE)
- 3 = splined (SAE B)
- 4 = splined (SAE BB)

Modifications

- 1 = S1 - BUNA N
- 4 = S4 - EPDM
- 5 = S5 - VITON

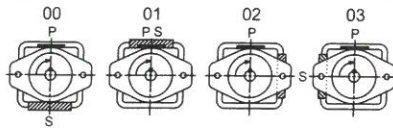
Design letter

Porting combination
00 = standard

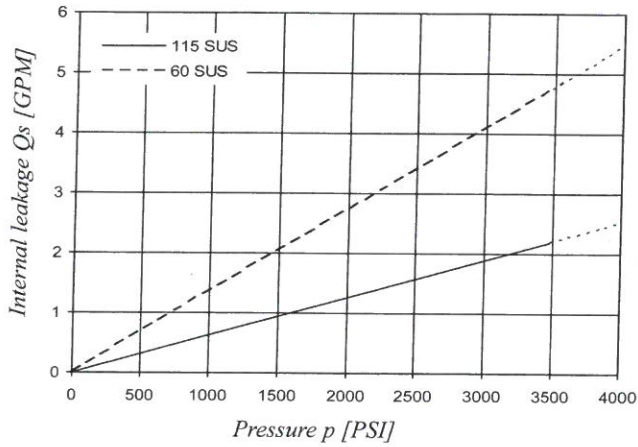
Direction of rotation (view on shaft end)

- R = Clockwise
- L = Counter-clockwise

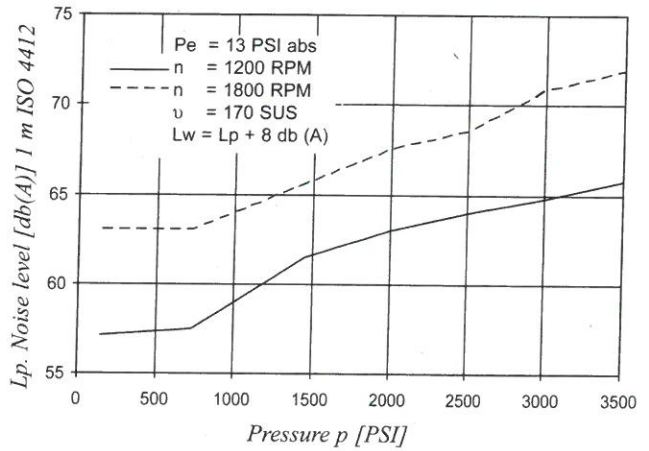
This is what is missing →



INTERNAL LEAKAGE (TYPICAL)

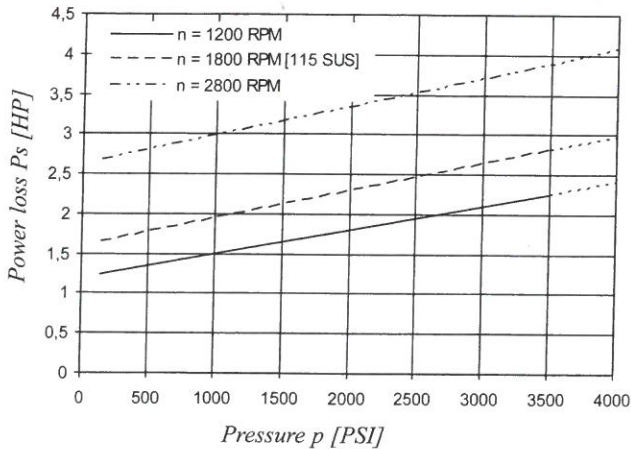


NOISE LEVEL (TYPICAL)
T6C - 022

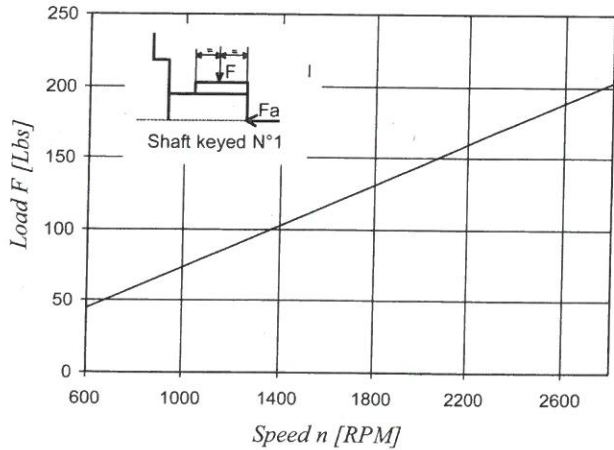


Do not operate pump more than 5 seconds at any speed or viscosity if internal leakage is more than 50% of theoretical flow.

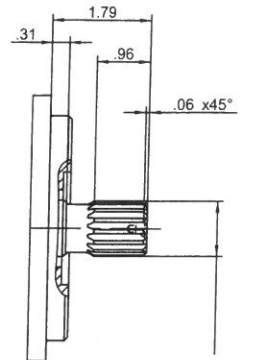
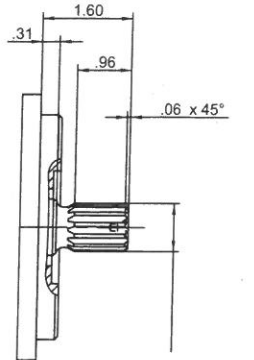
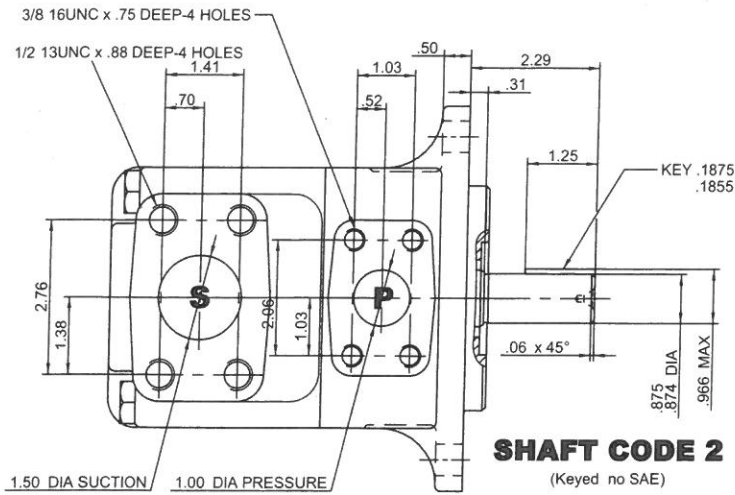
HYDROMECHANICAL POWER LOSS (TYPICAL)



PERMISSIBLE RADIAL LOAD

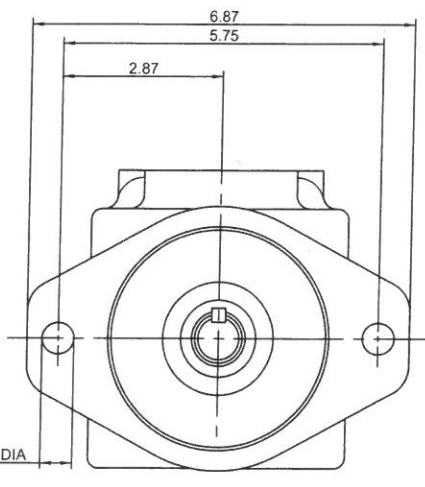
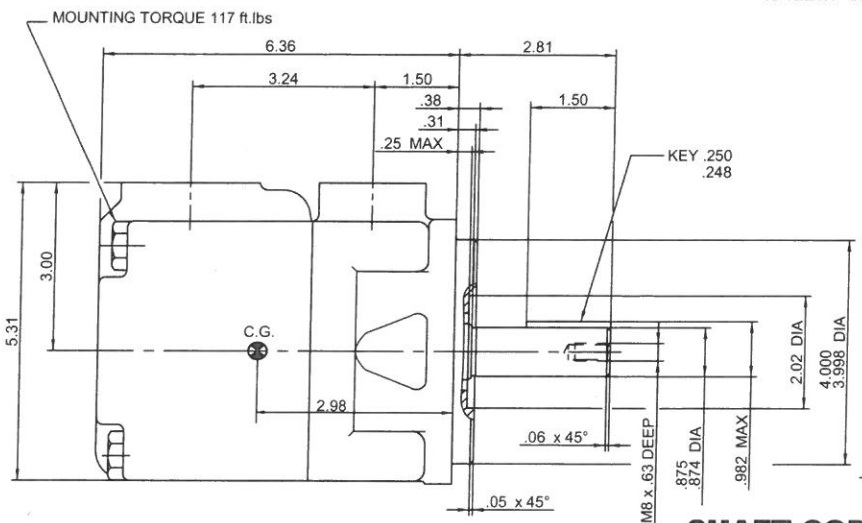


Maximum permissible axial load Fa = 180 Lbs



SAE B INVOLUTE SPLINE DATA
CLASS 1-FLAT ROOT SIDE FIT
J498b - PITCH 16/32
13 TEETH - 30° PRESSURE ANGLE

SAE BB INVOLUTE SPLINE DATA
CLASS 1-FLAT ROOT SIDE FIT
J498b - PITCH 12/24
15 TEETH - 30° PRESSURE ANGLE



Shaft torque limits [in ³ /rev. x PSI]	
Shaft	Vi x p max.
1	14473
2	12666
3	18246
4	19309

OPERATING CHARACTERISTICS – TYPICAL [115 SUS]

Pressure port	Series	Volumetric displacem. Vi	Flow q _v [GPM] & n = 1800 RPM			Input power P [HP] & n = 1800 RPM		
			p = 0 PSI	p = 2000 PSI	p = 3500 PSI	p = 100 PSI	p = 2000 PSI	p = 3500 PSI
T6C	003	.66 in ³ /rev	5.14	3.85	2.95	2.11	8.45	13.38
	005	1.05 in ³ /rev	8.18	6.89	5.99	2.29	12.00	19.59
	006	1.30 in ³ /rev	10.13	8.84	7.94	2.40	14.28	23.57
	008	1.61 in ³ /rev	12.55	11.26	10.36	2.54	17.11	28.53
	010	2.08 in ³ /rev	16.22	14.93	14.03	2.76	21.38	36.00
	012	2.26 in ³ /rev	17.64	16.35	15.45	2.84	23.05	38.92
	014	2.81 in ³ /rev	21.88	20.59	19.69	3.09	27.99	47.56
	017	3.56 in ³ /rev	27.73	26.44	25.54	3.43	34.81	59.51
	020	3.89 in ³ /rev	30.34	29.05	28.15	3.58	37.86	64.85
	022	4.29 in ³ /rev	33.43	32.14	31.24	3.76	41.47	71.16
	025	4.84 in ³ /rev	37.71	36.42	35.52	4.01	46.46	79.90
	028	5.42 in ³ /rev	42.23	40.94	40.32 ¹⁾	4.27	51.74	76.73 ¹⁾
	031	6.10 in ³ /rev	47.56	46.27	45.65 ¹⁾	4.58	57.95	86.06 ¹⁾

1) 028 – 031 = 3000 PSI max. int. Port connection can be furnished with metric threads.