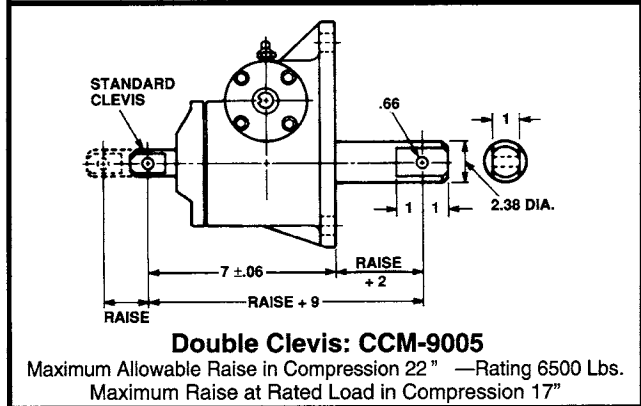
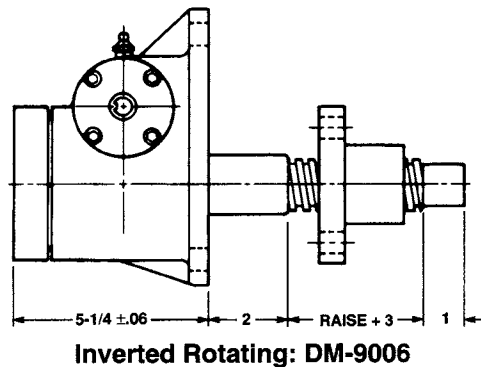
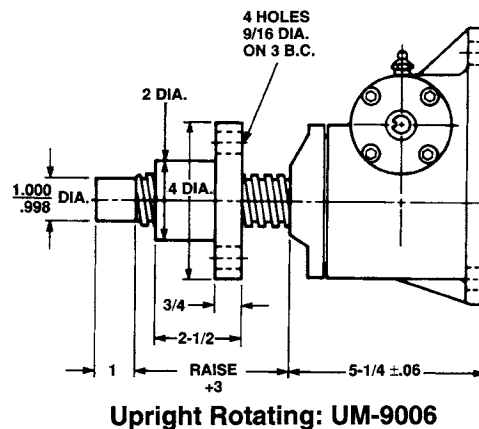
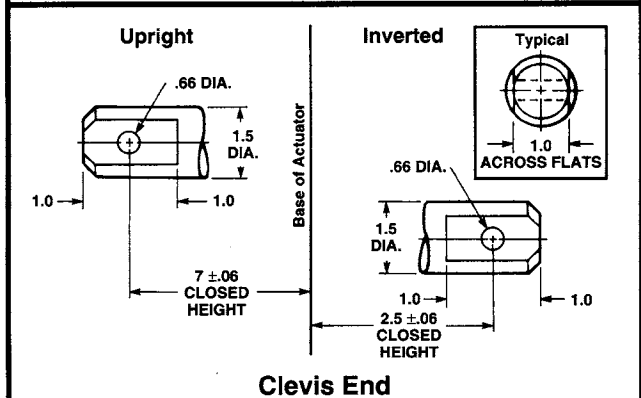
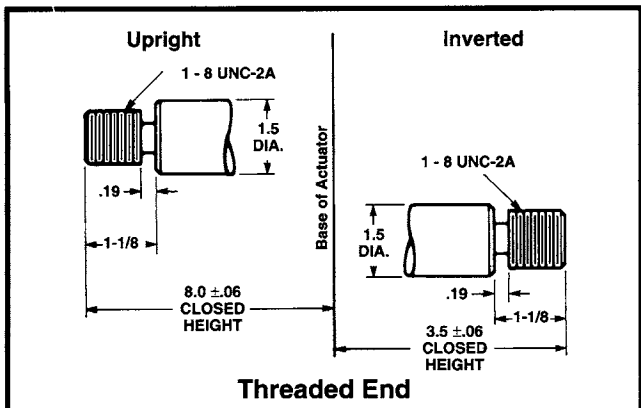
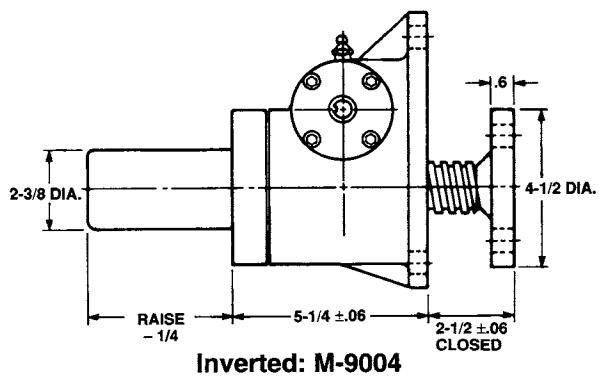
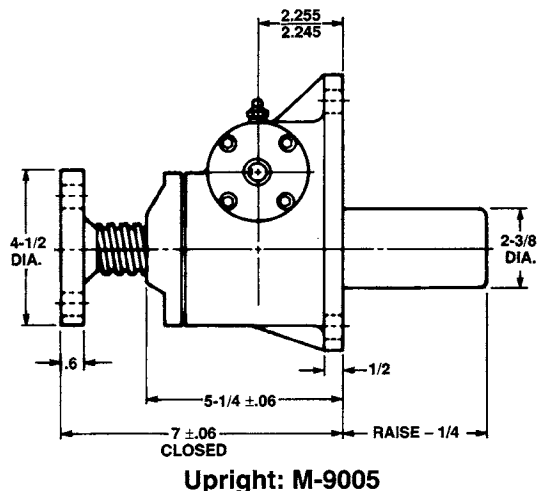


1 1/2" Diameter x .375 Lead Lifting Screws



Note: Lifting screw is not keyed. Top should be secured to a lifting member to prevent rotation. When a Bellows Boot is required, see pages 146-147. Dimensions are subject to change without notice.