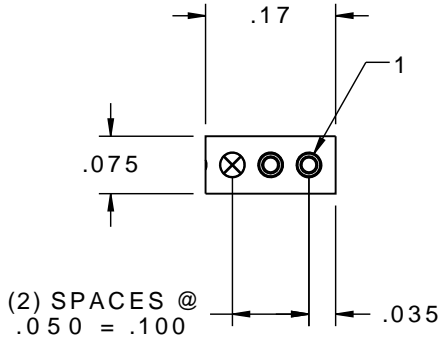
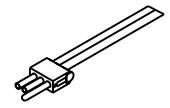


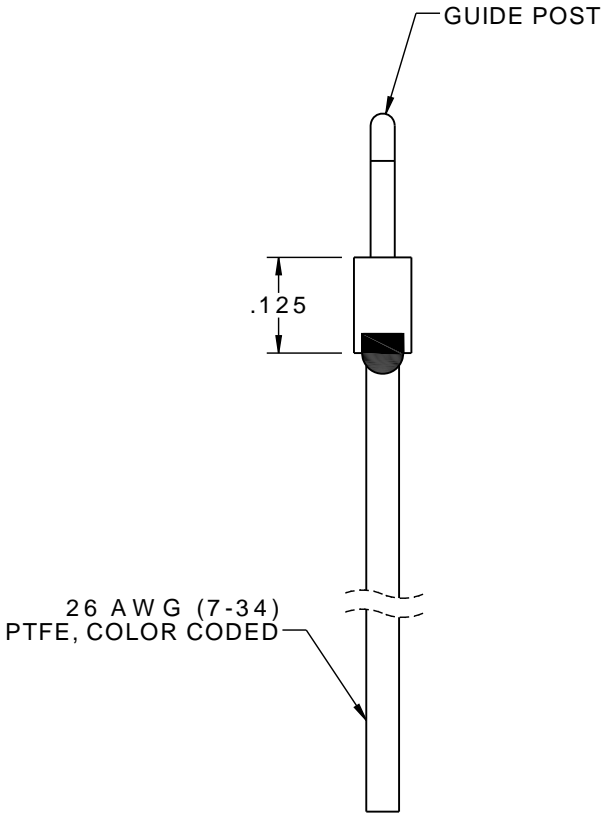
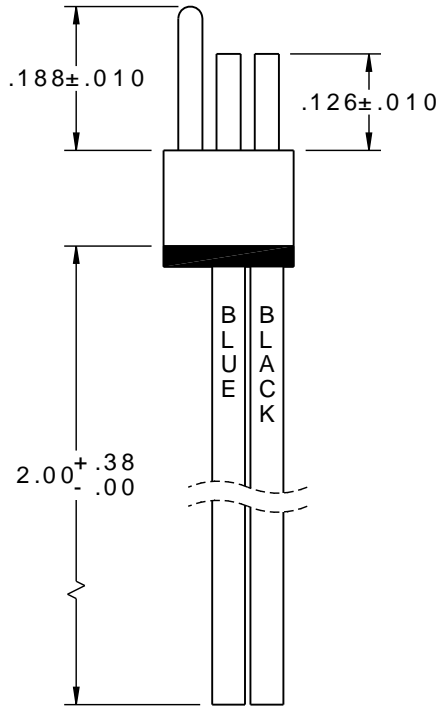
PART NO.	A 100613-001	REV	ECO	DATE	APP
		1			



SOCKET #	COLOR
1	BLACK
2	BLUE



ACTUAL SIZE
EXCLUDING WIRE LENGTH



REF: ASELSAN

Drawing Approval

Date

SSB AWG15	THIRD ANGLE	THIS DRAWING CONTAINS CONFIDENTIAL AND PROPRIETARY INFORMATION WHICH IS THE PROPERTY OF OMNETICS CONNECTOR CORP. THIS DOCUMENT MAY NOT, IN WHOLE OR IN PART, BE DUPLICATED, OR DISCLOSED FOR ANY PURPOSE, WITHOUT WRITTEN PERMISSION FROM OMNETICS CONNECTOR CORP.		 7260 COMMERCE CIRCLE EAST MINNEAPOLIS, MN 55432 WWW.OMNETICS.COM	CAGE CODE 61873		
	-TOLERANCES- UNLESS OTHERWISE NOTED	DFTM. TLM	DATE 05-17-11		TITLE:	DWG NO. A 100613-001	
	DIMENSIONS IN INCHES	CHK'D.	DATE		(2) SOCKET FEMALE SINGLE ROW CONNECTOR W/GUIDE POST	SHEET 1 OF 1	
	2 PL DEC ± .01 3 PL DEC ± .005 4 PL DEC ± .0005 ANGLES ± 1°	APP'D.	DATE			REV 1	SCALE: 4:1