



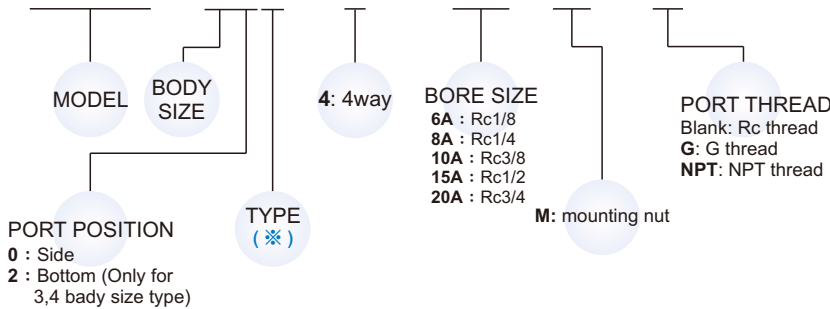
Specification

Model	MVHC-2**		MVHC-3**				MVHC-4**		
Bore No.	6A	8A	8A	10A	15A	8A	10A	15A	20A
No. of port	4								
Medium	Air								
Operating pressure range	0~1 MPa								
Effective orifice (mm ²)	7	26	29	33	26	59	64	71	
Ambient temperature	-5~+60°C (No freezing)								
Option	Mounting nut								
Weight	280 g		420 g				1100 g		

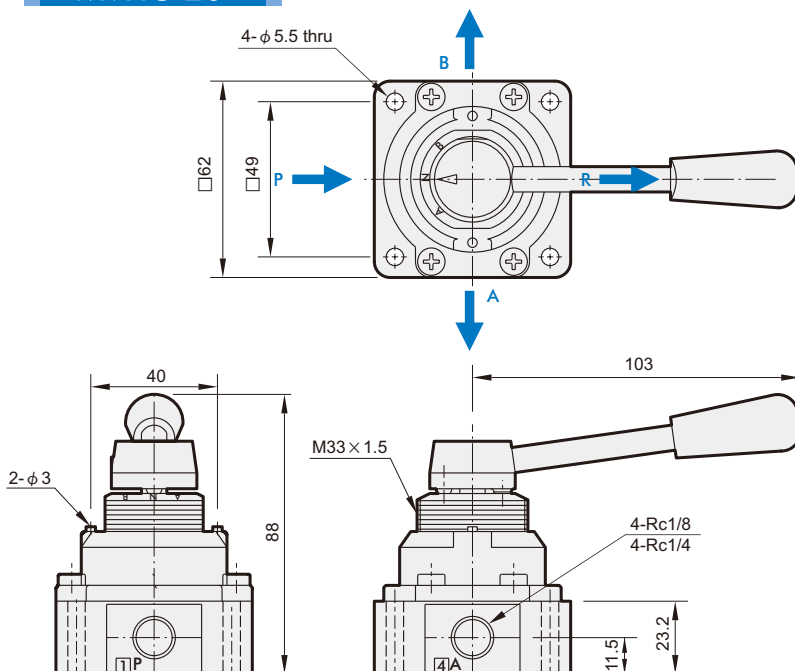
Model	Bore size				
	6A	8A	10A	15A	20A
MVHC-2**	Rc1/8	Rc1/4			
MVHC-3**			Rc3/8	Rc1/2	
MVHC-4**					Rc3/4

Order example

MVHC - 200 - 4H - 8A - □ - G



MVHC-20*



(※) TYPE

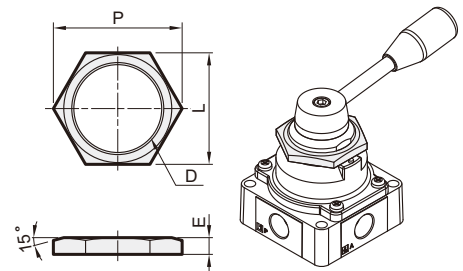
Code	Symbol	Description
0		3 Position Close center
1		3 Position Exhaust center
2		2 Position

Mounting nut

Order example

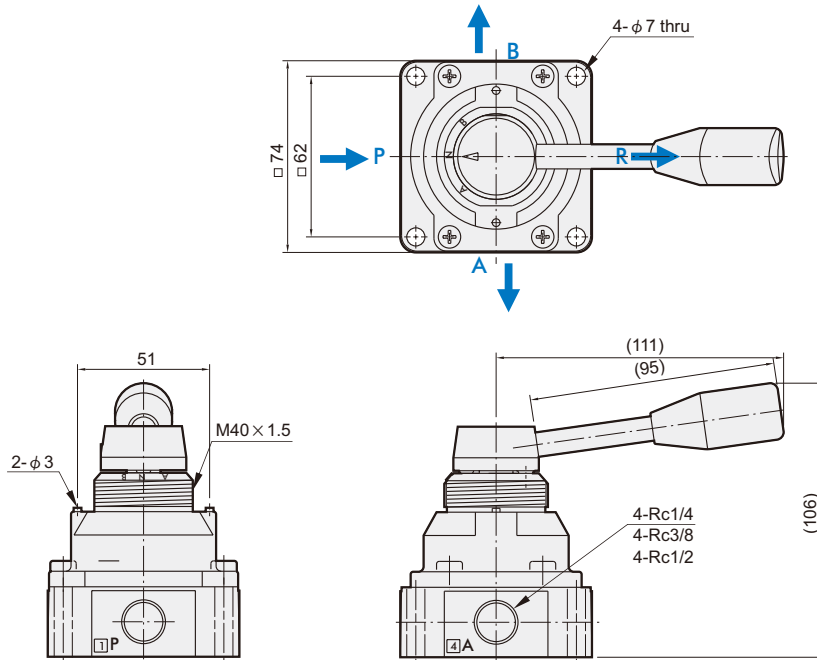
MVHC - 200 - M

BODY SIZE
200
300
400

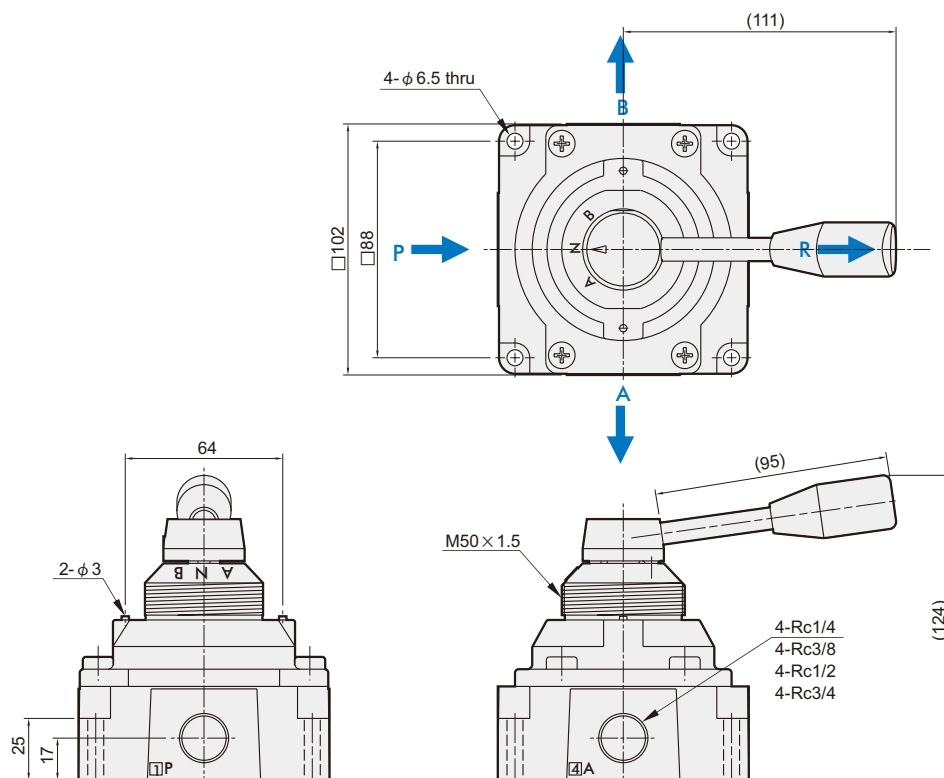


Model	D	E	L	P	Weight
MVHC-200-M	M33×1.5	6	41	46	26.5 g
MVHC-300-M	M40×1.5	6	50	57	41 g
MVHC-400-M	M50×1.5	8	55	63	40 g

MVHC-30*



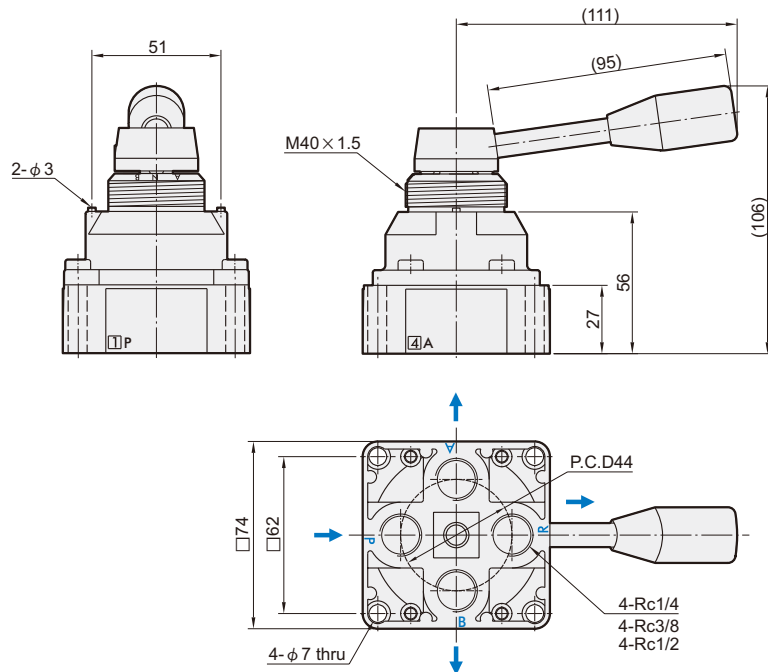
MVHC-40*



MVHC Dimensions

ROTARY HAND LEVER VALVE

MVHC-32*



MVHC-42*

