

STANDARD



TECHNICAL INFORMATION for UCFL

- **Resistance to corrosion:**
 - Polyamide version (PA): good resistance to many corrosive chemicals such as water, oils, greases, petrol, milk, wine, alcoholic beverages.
 - Polypropylene version (PP): excellent resistance to highly corrosive chemicals such as acids, organic liquids, detergents.
- **Load capacity:**
 - Housings in PA have a higher load capacity than housings in PP. See tables.
- **Continuous operating temperature:**
 - All our bearings can be used at temperatures between 0°C and +80°C. For lower or higher temperatures please consult our Engineering Department.
- **Economical operation.**
 - Long life bearing insert.
- **Self-alignment:**
 - Max misalignment between shaft and housing: 2.5°.
- **Concept and design to meet all safety requirements.**
- **Interchangeable with standard cast iron flanged supports.**
- **Ball bearing pre-lubricated with long-life grease, which is ideal in applications in humid conditions, with water, alkaline or acid solutions.**

SEE ALSO...

Accessories: [p. 110](#)
 Features, lubrication and maintenance: [p. 112](#)
 Mounting instruction: [p. 113 - 114](#)
 Calculation of load capacity, bearing life: [p. 115 - 116](#)
 Chemical resistance: [p. 120 - 121](#)

COMPONENTS

- 1 Housing in reinforced polyamide (Housing in reinforced polypropylene available on request).
- 2 Adjustable chrome steel or stainless steel ball bearing, pre-lubricated. Can be re-lubricated by means of grease-nipple or a quick coupler.
- 3 Ball-type grease-nipple or quick coupler from nickel plated brass (available upon request) to take semi-rigid hoses \varnothing 4 mm in Rilsan (see accessories on [page 110](#)). Version with stainless steel bearing has a stainless steel grease nipple.
- 4 Clip-on safety cap (accessory).
- 5 Spacers from nickel plated brass to reinforce fixing holes.
- 7 Washer UNI 6592, stainless steel AISI 304-DIN 1.4301.

UCFL
STANDARD

POLYAMIDE HOUSING



accessory

COLOUR

- Bearing support in black.
- Safety cap in yellow.
- For sufficient quantities parts can be produced in different colours.

UCFL
STANDARD

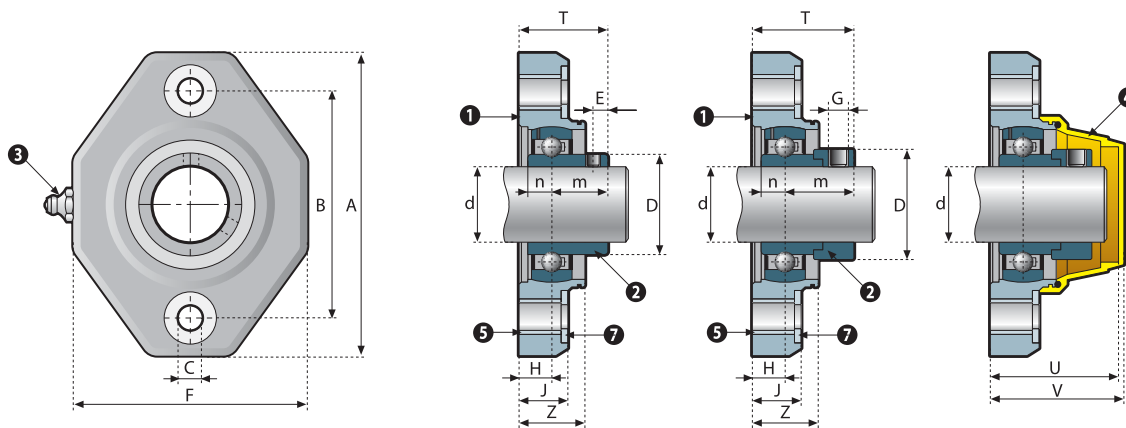
POLYPROPYLENE HOUSING



accessory

COLOUR

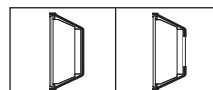
- Bearing support in black.
- Safety cap in yellow.
- For sufficient quantities parts can be produced in different colours.



version with grub screws

version with eccentric ring

Accessories



Preferred types, readily available (codes marked in red)

Ø d mm	code version	dimension (mm)														bearing load ratings		housing load rating max. N*	weight (Kg)	closed safety cap code	open safety cap code
		A	B	C	D	E	F	G	H	J	Z	T	m	n	U	V	dynamic C (N)				

CHROME STEEL BEARING WITH GRUB SCREWS (POLYAMIDE)

20	50204L	120	90	11	29	5	85	M6x0.75	15	19	25	33	18	7	52	54	9800	6500	7500	0.34	50003A	50003A.APE
25	50205L	120	90	11	34	5.5	85	M6x0.75	15	19	25	34.5	19.5	7.5	52	54	10800	7800	7200	0.37	50003A	50003A.APE
25	50205LA	130	99	11	34	5.5	90	M6x0.75	15	19	25	34.5	19.5	7.5	52	54	10800	7800	7600	0.46	50003A	50003A.APE
30	50206L	120	90	11	40.3	6	85	M6x0.75	13	19	25	35	22	8	52	54	15000	11300	7000	0.45	50003A	50003A.APE
30	50206LA	130	99	11	40.3	6	90	M6x0.75	13	19	25	35	22	8	52	54	15000	11300	7600	0.53	50003A	50003A.APE
30	50206K	146	117	11	40.3	6	98	M6x0.75	20	25	35	42	22	8	67	69	15000	11300	13000	0.56	50002	50002.APE
35	50207K	146	117	11	48	6.5	98	M8x1.00	19	25	35	42.5	23.5	8.5	67	69	19700	15300	12800	0.68	50002	50002.APE
35	50207D	159	130	14	48	6.5	105	M8x1.00	20	25	35	43.5	23.5	8.5	67	69	19700	15300	12900	0.70	50002	50002.APE
40	50208K	146	117	11	53	7	98	M8x1.00	19	25	35	44	25	9	67	69	22400	17900	12500	0.84	50002	50002.APE
40	50208D	159	130	14	53	7	105	M8x1.00	20	25	35	45	25	9	67	69	22400	17900	12700	0.87	50002	50002.APE

CHROME STEEL BEARING WITH ECCENTRIC RING (POLYAMIDE)

20	50204LB	120	90	11	33.3	5	85	M6x0.75	15	19	25	38.9	23.9	7	52	54	9800	6500	7500	0.37	50003A	50003A.APE
25	50205LB	120	90	11	38	5	85	M6x0.75	15	19	25	38.4	23.4	7.5	52	54	10800	7800	7200	0.42	50003A	50003A.APE
25	50205LAB	130	99	11	38	5	90	M6x0.75	15	19	25	38.4	23.4	7.5	52	54	10800	7800	7600	0.48	50003A	50003A.APE
30	50206LB	120	90	11	44.5	6	85	M6x0.75	13	19	25	40.7	27.7	8	52	54	15000	11300	7000	0.50	50003A	50003A.APE
30	50206LAB	130	99	11	44.5	6	90	M6x0.75	13	19	25	40.7	27.7	8	52	54	15000	11300	7600	0.53	50003A	50003A.APE
30	50206KB	146	117	11	44.5	6	98	M6x0.75	20	25	35	47.7	27.7	8	67	69	15000	11300	13000	0.60	50002	50002.APE
35	50207KB	146	117	11	55.6	6.5	98	M8x1.00	19	25	35	49.4	30.4	8.5	67	69	19700	15300	12800	0.76	50002	50002.APE
35	50207DB	159	130	14	55.6	6.5	105	M8x1.00	20	25	35	50.4	30.4	8.5	67	69	19700	15300	12900	0.79	50002	50002.APE
40	50208KB	146	117	11	60.3	6.5	98	M8x1.00	19	25	35	53.7	34.7	9	67	69	22400	17900	12500	0.93	50002	50002.APE
40	50208DB	159	130	14	60.3	6.5	105	M8x1.00	20	25	35	54.7	34.7	9	67	69	22400	17900	12700	0.99	50002	50002.APE

STAINLESS STEEL BEARING WITH GRUB SCREWS (POLYAMIDE)

20	50204L/SS	120	90	11	29	5	85	M6x0.75	15	19	25	33.7	18.7	7	52	54	7300	4900	7500	0.34	50003A	50003A.APE
25	50205L/SS	120	90	11	34	5.5	85	M6x0.75	15	19	25	34.5	19.5	7.5	52	54	8100	5800	7200	0.37	50003A	50003A.APE
25	50205LA/SS	130	99	11	34	5.5	90	M6x0.75	15	19	25	34.5	19.5	7.5	52	54	8100	5800	7600	0.46	50003A	50003A.APE
30	50206L/SS	120	90	11	40.3	6	85	M6x0.75	13	19	25	35	22	8	52	54	11250	8400	7000	0.45	50003A	50003A.APE
30	50206LA/SS	130	99	11	40.3	6	90	M6x0.75	13	19	25	35	22	8	52	54	11250	8400	7600	0.53	50003A	50003A.APE
30	50206K/SS	146	117	11	40.3	6	98	M6x0.75	20	25	35	42	22	8	67	69	11250	8400	13000	0.56	50002	50002.APE
35	50207K/SS	146	117	11	48	6.5	98	M8x1.00	19	25	35	42.5	23.5	8.5	67	69	14700	11400	12800	0.68	50002	50002.APE
35	50207D/SS	159	130	14	48	6.5	105	M8x1.00	20	25	35	43.5	23.5	8.5	67	69	14700	11400	12900	0.70	50002	50002.APE
40	50208K/SS	146	117	11	53	7	98	M8x1.00	19	25	35	44	25	9	67	69	16850	13400	12500	0.84	50002	50002.APE
40	50208D/SS	159	130	14	53	7	105	M8x1.00	20	25	35	45	25	9	67	69	16850	13400	12700	0.87	50002	50002.APE

STAINLESS STEEL BEARING WITH GRUB SCREWS (POLYPROPYLENE)

20	60204L	120	90	11	29	5	85	M6x0.75	15	19	25	33.7	18.7	7	52	54	7300	4900	3500	0.34	50003A	50003A.APE
25	60205L	120	90	11	34	5.5	85	M6x0.75	15	19	25	34.5	19.5	7.5	52	54	8100	5800	3000	0.37	50003A	50003A.APE
25	60205LA	130	99	11	34	5.5	90	M6x0.75	15	19	25	34.5	19.5	7.5	52	54	8100	5800	3600	0.46	50003A	50003A.APE
30	60206K	146	117	11	40.3	6	98	M6x0.75	20	25	35	42	22	8	67	69	11250	8400	6000	0.56	50002	50002.APE
35	60207D	159	130	14	48	6.5	105	M8x1.00	20	25	35	43.5	23.5	8.5	67	69	14700	11400	6100	0.70	50002	50002.APE

* MAX. RADIAL LOAD CAPACITY OF HOUSING: Values indicated in the table above, are obtained at 23°C. Strength of housing indicated on [page 115](#).

UCFL-W

WATERPROOF



TECHNICAL INFORMATION for UCFL-W

- **Resistance to corrosion:**
 - Polyamide version (PA): good resistance to many corrosive chemicals such as water, oils, greases, petrol, milk, wine, alcoholic beverages.
 - Polypropylene version (PP): excellent resistance to highly corrosive chemicals such as acids, organic liquids, detergents.
- **Load capacity:**
 - Housings in PA have a higher load capacity than housings in PP. See tables.
- **Continuous operating temperature:**
 - All our bearings can be used at temperatures between 0°C and +80°C. For lower or higher temperatures please consult our Engineering Department.
- **Economical operation.**
 - Long life bearing insert.
- **Self-alignment:**
 - Max misalignment between shaft and housing: 2.0°.
- **Concept and design to meet all safety requirements.**
- **Interchangeable with standard cast iron flanged supports.**
- **Completely sealed units.**
- **Ball bearing pre-lubricated with long-life grease, which is ideal in applications in humid conditions, with water, alkaline or acid solutions.**



WATERPROOF

SEE ALSO...

Accessories: [p. 110](#)
Features, lubrication and maintenance: [p. 112](#)
Mounting instruction: [p. 113 - 114](#)
Calculation of load capacity, bearing life: [p. 115 - 116](#)
Chemical resistance: [p. 120 - 121](#)

COMPONENTS

- ① Housing in reinforced polyamide (Housing in reinforced polypropylene available on request).
- ② Adjustable chrome steel or stainless steel ball bearing, pre-lubricated. Can be re-lubricated by means of grease-nipple or a quick coupler.
- ③ Ball-type grease-nipple or quick coupler from nickel plated brass (available upon request) to take semi-rigid hoses \varnothing 4 mm in Rilsan (see accessories on [page 110](#)). Version with stainless steel bearing has a stainless steel grease nipple.
- ④ Clip-on safety cap.
- ⑤ Spacers from nickel plated brass to reinforce fixing holes.
- ⑦ Washer UNI 6592, stainless steel AISI 304-DIN 1.4301.
- ⑧ Rotary shaft seal ring with extra dust-protection lip in NBR rubber.
- ⑨ Heavy duty O-Ring in NBR rubber.

UCFL-W WATERPROOF

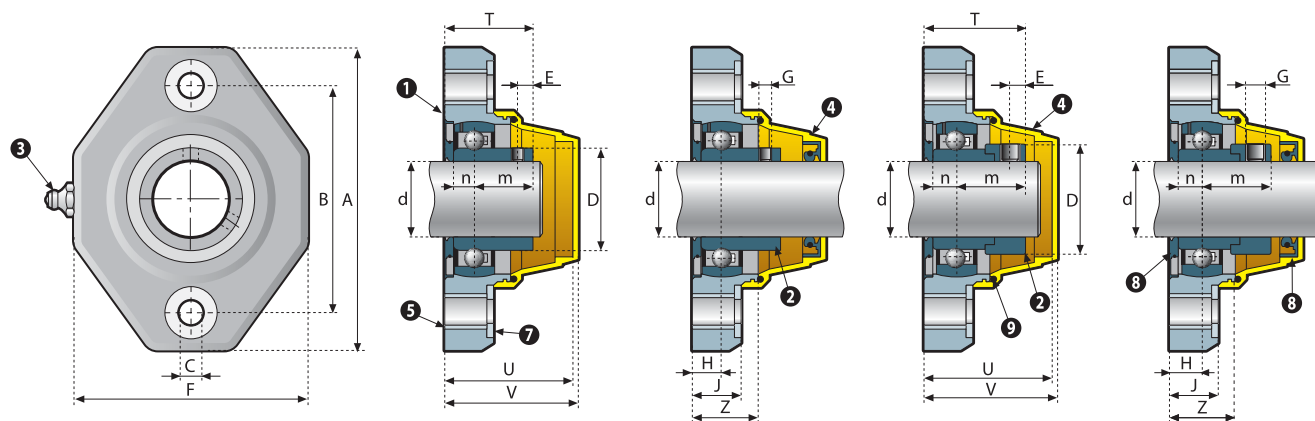
POLYAMIDE HOUSING



UCFL-W WATERPROOF

POLYPROPYLENE HOUSING





closed version with grub screws

open version with grub screws

closed version with eccentric ring

open version with eccentric ring

Preferred types, readily available (codes marked in red)

ø d mm	code version		dimension (mm)														bearing load ratings		housing load rating max. N*	weight (Kg)
	closed	open	A	B	C	D	E	F	G	H	J	Z	T	m	n	U	V	dynamic C (N)		

CHROME STEEL BEARING WITH GRUB SCREWS (POLYAMIDE)

20	50204W	55204W	120	90	11	29	5	85	M6x0.75	15	19	25	33	18	7	52	54	9800	6500	7500	0.31
25	50205W	55205W	120	90	11	34	5.5	85	M6x0.75	15	19	25	34.5	19.5	7.5	52	54	10800	7800	7200	0.33
25	50205AW	55205AW	130	99	11	34	5.5	90	M6x0.75	15	19	25	34.5	19.5	7.5	52	54	10800	7800	7600	0.51
30	50206W	55206W	120	90	11	40.3	6	85	M6x0.75	13	19	25	35	22	8	52	54	15000	11300	7000	0.40
30	50206AW	55206AW	130	99	11	40.3	6	90	M6x0.75	13	19	25	35	22	8	52	54	15000	11300	7600	0.63
30	50206X	55206X	146	117	11	40.3	6	98	M6x0.75	20	25	35	42	22	8	67	69	15000	11300	13000	0.58
35	50207X	55207X	146	117	11	48	6.5	98	M8x1.00	19	25	35	42.5	23.5	8.5	67	69	19700	15300	12800	0.72
35	50207M	55207M	159	130	14	48	6.5	105	M8x1.00	20	25	35	43.5	23.5	8.5	67	69	19700	15300	12900	0.75
40	50208X	55208X	146	117	11	53	7	98	M8x1.00	19	25	35	44	25	9	67	69	22400	17900	12500	0.87
40	50208M	55208M	159	130	14	53	7	105	M8x1.00	20	25	35	45	25	9	67	69	22400	17900	12700	0.92

CHROME STEEL BEARING WITH ECCENTRIC RING (POLYAMIDE)

20	50204WB	55204WB	120	90	11	33.3	5	85	M6x0.75	15	19	25	38.9	23.9	7	52	54	9800	6500	7500	0.34
25	50205WB	55205WB	120	90	11	38	5	85	M6x0.75	15	19	25	38.4	23.4	7.5	52	54	10800	7800	7200	0.37
25	50205AWB	55205AWB	130	99	11	38	5	90	M6x0.75	15	19	25	38.4	23.4	7.5	52	54	10800	7800	7600	0.51
30	50206WB	55206WB	120	90	11	44.5	6	85	M6x0.75	13	19	25	40.7	27.7	8	52	54	15000	7800	7000	0.44
30	50206AWB	55206AWB	130	99	11	44.5	6	90	M6x0.75	13	19	25	40.7	27.7	8	52	54	15000	11300	7600	0.63
30	50206XB	55206XB	146	117	11	44.5	6	98	M6x0.75	20	25	35	47.7	27.7	8	67	69	15000	11300	13000	0.65
35	50207XB	55207XB	146	117	11	55.6	6.5	98	M8x1.00	19	25	35	49.4	30.4	8.5	67	69	19700	15300	12800	0.78
35	50207MB	55207MB	159	130	14	55.6	6.5	105	M8x1.00	20	25	35	50.4	30.4	8.5	67	69	19700	15300	12900	0.83
40	50208XB	55208XB	146	117	11	60.3	6.5	98	M8x1.00	19	25	35	53.7	34.7	9	67	69	22400	17900	12500	0.98
40	50208MB	55208MB	159	130	14	60.3	6.5	105	M8x1.00	20	25	35	54.7	34.7	9	67	69	22400	17900	12700	1.05

* MAX. RADIAL LOAD CAPACITY OF HOUSING: Values indicated in the table above, are obtained at 23°C. Strength of housing indicated on [page 115](#).

ø d mm	code version		dimension (mm)														bearing load ratings		housing load rating max. N*	weight (Kg)
	closed	open	A	B	C	D	E	F	G	H	J	Z	T	m	n	U	V	dynamic C (N)		

CHROME STEEL BEARING WITH GRUB SCREWS (POLYPROPYLENE)

20	60204W	65204W	120	90	11	29	5	85	M6x0.75	15	19	25	33	18	7	52	54	9800	6500	3500	0.31
25	60205W	65205W	120	90	11	34	5.5	85	M6x0.75	15	19	25	34.5	19.5	7.5	52	54	10800	7800	3000	0.33
25	60205AW	65205AW	130	99	11	34	5.5	90	M6x0.75	15	19	25	34.5	19.5	7.5	52	54	10800	7800	3600	0.51
30	60206X	65206X	146	117	11	40.3	6	98	M6x0.75	20	25	35	42	22	8	67	69	15000	11300	6000	0.58
35	60207M	65207M	159	130	14	48	6.5	105	M8x1.00	20	25	35	43.5	23.5	8.5	67	69	19700	15300	6000	0.75

CHROME STEEL BEARING WITH ECCENTRIC RING (POLYPROPYLENE)

20	60204WB	65204WB	120	90	11	33.3	5	85	M6x0.75	15	19	25	38.9	23.9	7	52	54	9800	6500	3500	0.34
25	60205WB	65205WB	120	90	11	38	5	85	M6x0.75	15	19	25	38.4	23.4	7.5	52	54	10800	7800	3000	0.37
25	60205AWB	65205AWB	130	99	11	38	5	90	M6x0.75	15	19	25	38.4	23.4	7.5	52	54	10800	7800	3600	0.51
30	60206XB	65206XB	146	117	11	40.3	6	98	M6x0.75	20	25	35	42	22	8	67	69	15000	11300	6000	0.58
35	60207MB	65207MB	159	130	14	55.6	6.5	105	M8x1.00	20	25	35	50.4	30.4	8.5	67	69	19700	15300	6000	0.83

* MAX. RADIAL LOAD CAPACITY OF HOUSING: Values indicated in the table above, are obtained at 23°C. Strength of housing indicated on [page 115](#).

STANDARD



TECHNICAL INFORMATION for UFL

- **Resistance to corrosion:**
 - Polyamide version (PA): good resistance to many corrosive chemicals such as water, oils, greases, petrol, milk, wine, alcoholic beverages.
 - Polypropylene version (PP): excellent resistance to highly corrosive chemicals such as acids, organic liquids, detergents.
- **Load capacity:**
 - Housings in PA have a higher load capacity than housings in PP. See tables.
- **Continuous operating temperature:**
 - All our bearings can be used at temperatures between 0°C and +80°C. For lower or higher temperatures please consult our Engineering Department.
- **Economical operation.**
 - Long life bearing insert.
- **Self-alignment:**
 - Max misalignment between shaft and housing: 2.5°.
- **Concept and design to meet all safety requirements.**
- **Interchangeable with standard cast iron flanged supports.**
- **Ball bearing pre-lubricated with long-life grease, which is ideal in applications in humid conditions, with water, alkaline or acid solutions.**

COMPONENTS

- 1 Housing in reinforced polyamide (Housing in reinforced polypropylene available on request).
- 2 Adjustable chrome steel or stainless steel ball bearing, pre-lubricated. Can be re-lubricated by means of grease-nipple or a quick coupler.
- 3 Ball-type grease-nipple or quick coupler from nickel plated brass (available upon request) to take semi-rigid hoses \varnothing 4 mm in Rilsan (see accessories on [page 110](#)). Version with stainless steel bearing has a stainless steel grease nipple.
- 4 Clip-on safety cap.
- 5 Spacers from nickel plated brass to reinforce fixing holes.
- 7 Washer UNI 6592, stainless steel AISI 304-DIN 1.4301.

UFL
STANDARD

POLYAMIDE HOUSING



accessory

COLOUR

- Bearing support in black.
- Safety cap in yellow.
- For sufficient quantities parts can be produced in different colours.

UFL
STANDARD

POLYPROPYLENE HOUSING



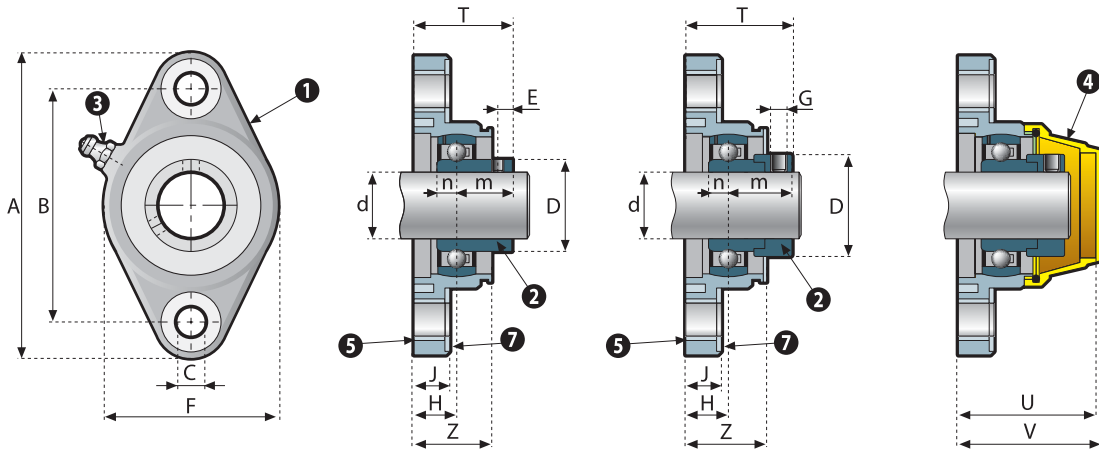
accessory

COLOUR

- Bearing support in black.
- Safety cap in yellow.
- For sufficient quantities parts can be produced in different colours.

SEE ALSO...

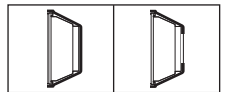
Accessories: [p. 110](#)
 Features, lubrication and maintenance: [p. 112](#)
 Mounting instruction: [p. 113 - 114](#)
 Calculation of load capacity, bearing life: [p. 115 - 116](#)
 Chemical resistance: [p. 120 - 121](#)



version with grub screws

version with eccentric ring

Accessories



Preferred types, readily available (codes marked in red)

Ø d mm	code version	dimension (mm)														bearing load ratings		housing load rating max. N*	weight (Kg)	closed safety cap code	open safety cap code	
		A	B	C	D	E	F	G	H	J	Z	T	m	n	U	V	dynamic C (N)					static Co (N)
CHROME STEEL BEARING WITH GRUB SCREWS (POLYAMIDE)																						
12	54201	100	76.5	11	24.6	4	56	M5x0.80	17.5	12	26	33.5	16	6	47	49	7300	4760	6500	0.25	50008	50008.APE
15	54202	100	76.5	11	24.6	4	56	M5x0.80	17.5	12	26	33.5	16	6	47	49	7300	4760	6500	0.25	50008	50008.APE
16	54016	100	76.5	11	24.6	4	56	M5x0.80	17.5	12	26	33.5	16	6	47	49	7300	4760	6500	0.25	50008	50008.APE
17	54203	100	76.5	11	24.6	4	56	M5x0.80	17.5	12	26	33.5	16	6	47	49	7300	4760	6500	0.25	50008	50008.APE
20	54204	100	76.5	11	29	5	56	M6x0.75	15.5	12	26	33.5	18	7	47	49	9850	6580	6200	0.30	50008	50008.APE
CHROME STEEL BEARING WITH ECCENTRIC RING (POLYAMIDE)																						
12	54201B	100	76.5	11	28.6	5	56	M6x0.75	17.5	12	26	40.1	22.6	6	47	49	7300	4760	6500	0.28	50008	50008.APE
15	54202B	100	76.5	11	28.6	5	56	M6x0.75	17.5	12	26	40.1	22.6	6	47	49	7300	4760	6500	0.28	50008	50008.APE
16	54016B	100	76.5	11	28.6	5	56	M6x0.75	17.5	12	26	40.1	22.6	6	47	49	7300	4760	6500	0.28	50008	50008.APE
17	54203B	100	76.5	11	28.6	5	56	M6x0.75	17.5	12	26	40.1	22.6	6	47	49	7300	4760	6500	0.28	50008	50008.APE
20	54204B	100	76.5	11	33.3	5	56	M6x0.75	15.5	12	26	39.4	23.9	7	47	49	9850	6580	6200	0.35	50008	50008.APE
STAINLESS STEEL BEARING WITH GRUB SCREWS (POLYAMIDE)																						
20	54204/SS	100	76.5	11	29	5	56	M6x0.75	15.5	12	26	34.2	18.7	7	47	49	7300	4900	6200	0.30	50008	50008.APE

* MAX. RADIAL LOAD CAPACITY OF HOUSING: Values indicated in the table above, are obtained at 23°C. Strength of housing indicated on [page 115](#).

Ø d mm	code version	dimension (mm)														bearing load ratings		housing load rating max. N*	weight (Kg)	closed safety cap code	open safety cap code	
		A	B	C	D	E	F	G	H	J	Z	T	m	n	U	V	dynamic C (N)					static Co (N)
CHROME STEEL BEARING WITH GRUB SCREWS (POLYPROPYLENE)																						
20	64204/SS	100	76.5	11	29	5	56	M6x0.75	15.5	12	26	34.2	18.7	7	47	49	7300	4900	3000	0.30	50008	50008.APE

* MAX. RADIAL LOAD CAPACITY OF HOUSING: Values indicated in the table above, are obtained at 23°C. Strength of housing indicated on [page 115](#).

UFL-Z

WATERPROOF



TECHNICAL INFORMATION for UFL-Z

- **Resistance to corrosion:**
 - Polyamide version (PA): good resistance to many corrosive chemicals such as water, oils, greases, petrol, milk, wine, alcoholic beverages.
 - Polypropylene version (PP): excellent resistance to highly corrosive chemicals such as acids, organic liquids, detergents.
- **Load capacity:**
 - Housings in PA have a higher load capacity than housings in PP. See tables.
- **Continuous operating temperature:**
 - All our bearings can be used at temperatures between 0°C and +80°C. For lower or higher temperatures please consult our Engineering Department.
- **Economical operation.**
 - Long life bearing insert.
- **Self-alignment:**
 - Max misalignment between shaft and housing: 2.0°.
- **Concept and design to meet all safety requirements.**
- **Interchangeable with standard cast iron flanged supports.**
- **Completely sealed units.**
- **Ball bearing pre-lubricated with long-life grease, which is ideal in applications in humid conditions, with water, alkaline or acid solutions.**



WATERPROOF

SEE ALSO...

Accessories: [p. 110](#)
Features, lubrication and maintenance: [p. 112](#)
Mounting instruction: [p. 113 - 114](#)
Calculation of load capacity, bearing life: [p. 115 - 116](#)
Chemical resistance: [p. 120 - 121](#)

COMPONENTS

- 1 Housing in reinforced polyamide (Housing in reinforced polypropylene available on request).
- 2 Adjustable chrome steel or stainless steel ball bearing, pre-lubricated. Can be re-lubricated by means of grease-nipple or a quick coupler.
- 3 Ball-type grease-nipple or quick coupler from nickel plated brass (available upon request) to take semi-rigid hoses \varnothing 4 mm in Rilsan (see accessories on [page 110](#)). Version with stainless steel bearing has a stainless steel grease nipple.
- 4 Clip-on safety cap.
- 5 Spacers from nickel plated brass to reinforce fixing holes.
- 7 Washer UNI 6592, stainless steel AISI 304-DIN 1.4301.
- 8 Rotary shaft seal ring with extra dust-protection lip in NBR rubber.
- 9 Heavy duty O-Ring in NBR rubber.

UFL-Z WATERPROOF

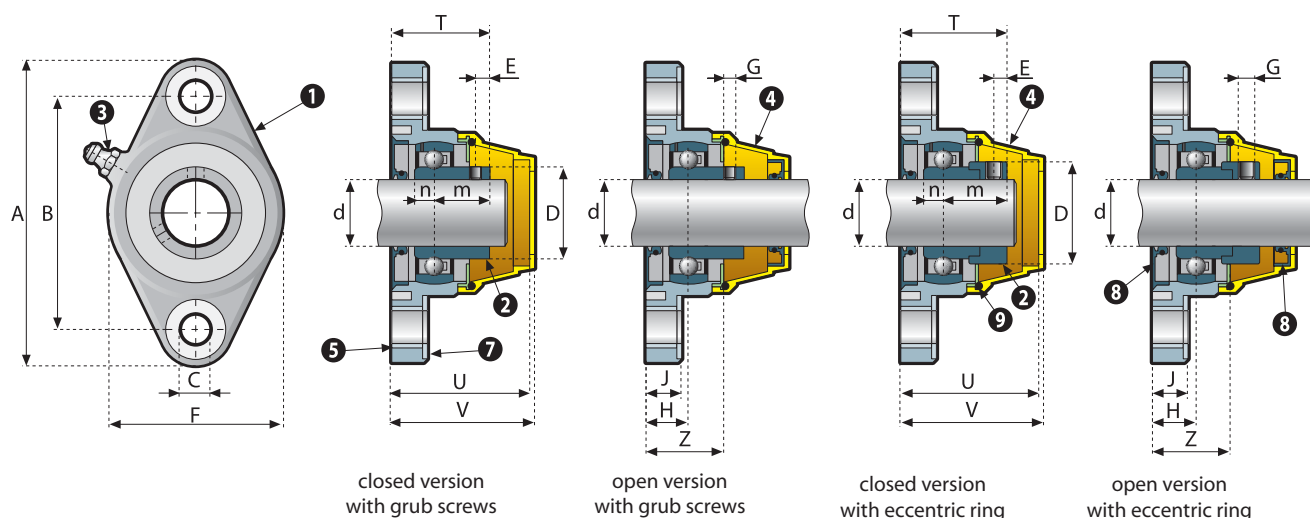
POLYAMIDE HOUSING



UFL-Z WATERPROOF

POLYPROPYLENE HOUSING





Preferred types, readily available (codes marked in red)

ø d mm	code version		dimension (mm)														bearing load ratings		housing load rating max. N*	weight (Kg)
	closed	open	A	B	C	D	E	F	G	H	J	Z	T	m	n	U	V	dynamic C (N)		

CHROME STEEL BEARING WITH GRUB SCREWS (POLYAMIDE)

12	54201Z	59201Z	100	76.5	11	24.6	4	56	M5x0.80	17.5	12	26	33.5	16	6	47	49	7300	4760	6500	0.25
15	54202Z	59202Z	100	76.5	11	24.6	4	56	M5x0.80	17.5	12	26	33.5	16	6	47	49	7300	4760	6500	0.25
16	54016Z	59016Z	100	76.5	11	24.6	4	56	M5x0.80	17.5	12	26	33.5	16	6	47	49	7300	4760	6500	0.25
17	54203Z	59203Z	100	76.5	11	24.6	4	56	M5x0.80	17.5	12	26	33.5	16	6	47	49	7300	4760	6500	0.25
20	54204Z	59204Z	100	76.5	11	29	5	56	M6x0.75	15.5	12	26	33.5	18	7	47	49	9850	6580	6200	0.30

CHROME STEEL BEARING WITH ECCENTRIC RING (POLYAMIDE)

12	54201ZB	59201ZB	100	76.5	11	28.6	5	56	M6x0.75	17.5	12	26	40.1	22.6	6	47	49	7300	4760	6500	0.28
15	54202ZB	59202ZB	100	76.5	11	28.6	5	56	M6x0.75	17.5	12	26	40.1	22.6	6	47	49	7300	4760	6500	0.28
16	54016ZB	59016ZB	100	76.5	11	28.6	5	56	M6x0.75	17.5	12	26	40.1	22.6	6	47	49	7300	4760	6500	0.28
17	54203ZB	59203ZB	100	76.5	11	28.6	5	56	M6x0.75	17.5	12	26	40.1	22.6	6	47	49	7300	4760	6500	0.28
20	54204ZB	59204ZB	100	76.5	11	33.3	5	56	M6x0.75	15.5	12	26	39.4	23.9	7	47	49	9850	6580	6200	0.35

* **MAX. RADIAL LOAD CAPACITY OF HOUSING:** Values indicated in the table above, are obtained at 23°C. Strength of housing indicated on [page 115](#).

Preferred types, readily available (codes marked in red)

ø d mm	code version		dimension (mm)														bearing load ratings		housing load rating max. N*	weight (Kg)
	closed	open	A	B	C	D	E	F	G	H	J	Z	T	m	n	U	V	dynamic C (N)		

CHROME STEEL BEARING WITH GRUB SCREWS (POLYPROPYLENE)

12	64201Z	69201Z	100	76.5	11	24.6	4	56	M5x0.80	17.5	12	26	33.5	16	6	47	49	7300	4760	3100	0.25
15	64202Z	69202Z	100	76.5	11	24.6	4	56	M5x0.80	17.5	12	26	33.5	16	6	47	49	7300	4760	3100	0.25
16	64016Z	69016Z	100	76.5	11	24.6	4	56	M5x0.80	17.5	12	26	33.5	16	6	47	49	7300	4760	3100	0.25
17	64203Z	69203Z	100	76.5	11	24.6	4	56	M5x0.80	17.5	12	26	33.5	16	6	47	49	7300	4760	3100	0.25
20	64204Z	69204Z	100	76.5	11	29	5	56	M6x0.75	15.5	12	26	33.5	18	7	47	49	9850	6580	3000	0.30

CHROME STEEL BEARING WITH ECCENTRIC RING (POLYPROPYLENE)

12	64201ZB	69201ZB	100	76.5	11	28.6	5	56	M6x0.75	17.5	12	26	40.1	22.6	6	47	49	7300	4760	3100	0.28
15	64202ZB	69202ZB	100	76.5	11	28.6	5	56	M6x0.75	17.5	12	26	40.1	22.6	6	47	49	7300	4760	3100	0.28
16	64016ZB	69016ZB	100	76.5	11	28.6	5	56	M6x0.75	17.5	12	26	40.1	22.6	6	47	49	7300	4760	3100	0.28
17	64203ZB	69203ZB	100	76.5	11	28.6	5	56	M6x0.75	17.5	12	26	40.1	22.6	6	47	49	7300	4760	3100	0.28
20	64204ZB	69204ZB	100	76.5	11	33.3	5	56	M6x0.75	15.5	12	26	39.4	23.9	7	47	49	9850	6580	3000	0.35

* **MAX. RADIAL LOAD CAPACITY OF HOUSING:** Values indicated in the table above, are obtained at 23°C. Strength of housing indicated on [page 115](#).

STANDARD



TECHNICAL INFORMATION for UCFH

- **Resistance to corrosion:**
 - Polyamide version (PA): good resistance to many corrosive chemicals such as water, oils, greases, petrol, milk, wine, alcoholic beverages.
- **High load capacity.**
- **Continuous operating temperature:**
 - All our bearings can be used at temperatures between 0°C and +80°C. For lower or higher temperatures please consult our Engineering Department.
- **Self-alignment:**
 - Max misalignment between shaft and housing: 2.5°.
- **Low maintenance and trouble-free operation.**
- **Easy Cleaning.**
- **Ball bearing pre-lubricated with long-life grease, which is ideal in applications in humid conditions, with water, alkaline or acid solutions.**
- **Concept and design to meet all safety requirements.**
- **Interchangeable with standard cast iron flanged supports.**
- **Application in the food, beverage and pharmaceutical industry.**

COMPONENTS

- ① Housing in reinforced polyamide (Housing in reinforced polypropylene available on request).
- ② Adjustable chrome steel or stainless steel ball bearing, pre-lubricated. Can be re-lubricated by means of grease-nipple or a quick coupler.
- ③ Ball-type grease-nipple or quick coupler from nickel plated brass (available upon request) to take semi-rigid hoses ø 4 mm in Rilsan (see accessories on [page 110](#)). Version with stainless steel bearing has a stainless steel grease nipple.
- ④ Clip-on safety cap (accessory).
- ⑤ Spacers from nickel plated brass to reinforce fixing holes.
- ⑥ Polyethylene washer for grease-nipple.

UCFH STANDARD

POLYAMIDE HOUSING



accessory

COLOUR

- Bearing support in black.
- Safety cap in yellow.
- For sufficient quantities parts can be produced in different colours.

UCFH STANDARD

NOLU-CLEAN is a new antimicrobial material of improved hygiene. For detailed information refer to [page 7](#).

NOLU-CLEAN HOUSING



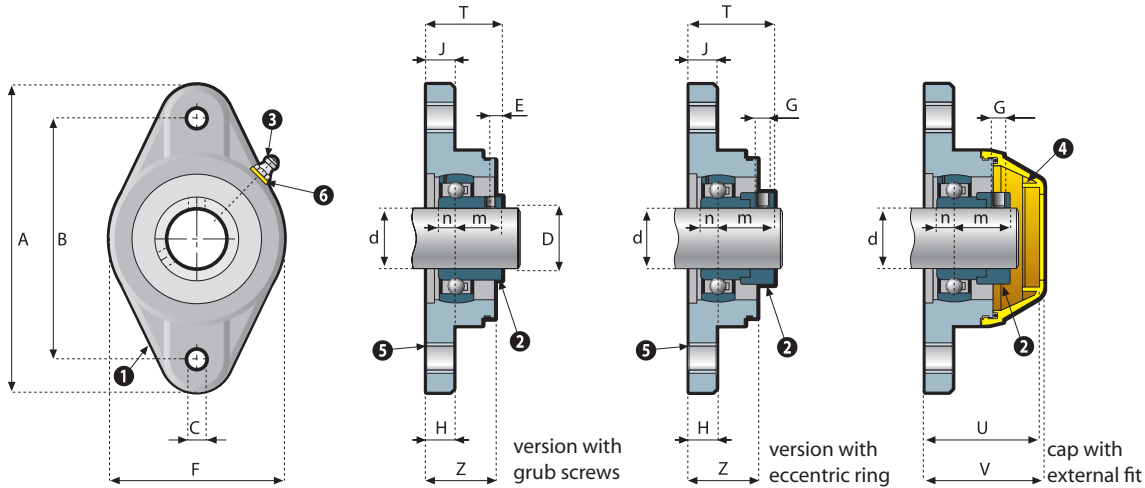
accessory

COLOUR

- Bearing support in white.
- Safety cap in white.

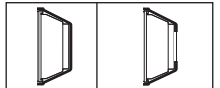
SEE ALSO...

Accessories: [p. 110](#)
 Features, lubrication and maintenance: [p. 112](#)
 Mounting instruction: [p. 113 - 114](#)
 Calculation of load capacity, bearing life: [p. 115 - 116](#)
 Chemical resistance: [p. 120 - 121](#)



Preferred types, readily available (codes marked in red)

Accessories



Ø d mm	support code	dimension (mm)															bearing load ratings		housing load rating max.N*	weight (Kg)	closed safety cap code	open safety cap code
		A	B	C	D	E	F	G	H	J	Z	T	m	n	U	V	dynamic C (N)	static Co (N)				
CHROME STEEL BEARING WITH GRUB SCREWS (POLYAMIDE)																						
12	54201N-EC	99	76.5	11	24.6	4	56	M5x0.80	16.5	10	26	32.5	16	6	46.5	48.5	7300	4760	6500	0.18	50008	50008.APE
15	54202N-EC	99	76.5	11	24.6	4	56	M5x0.80	16.5	10	26	32.5	16	6	46.5	48.5	7300	4760	6500	0.18	50008	50008.APE
16	54016N-EC	99	76.5	11	24.6	4	56	M5x0.80	16.5	10	26	32.5	16	6	46.5	48.5	7300	4760	6500	0.18	50008	50008.APE
17	54203N-EC	99	76.5	11	24.6	4	56	M5x0.80	16.5	10	26	32.5	16	6	46.5	48.5	7300	4760	6500	0.18	50008	50008.APE
20	54204N-EC	114	90	11	29	5	64	M6x0.75	15.5	10	26	33.5	18	7	47.5	49.5	9850	6580	7500	0.20	50007	50007.APE
25	54205N-EC	130	99	11	34	5.5	70	M6x0.75	17	12.5	29	36.5	19.5	7.5	52.2	54.2	10800	7800	8000	0.30	50011	50011.APE
30	54206N-EC	148	117	11	40.3	6	84	M6x0.75	14.5	12.5	29	36.5	22	8	50.7	52.7	15000	11300	8800	0.45	50001	50001.APE
35	54207N-EC	163	130	14	48	6.5	90	M8x1.00	18	16	33	41.5	23.5	8.5	63.7	65.7	19700	15300	9000	0.60	50004	50004.APE
40	54208N-EC	175	144	14	53	7	100	M8x1.00	18	20	35	43	25	9	63.2	65.2	22400	17900	12500	0.80	50002	50002.APE
CHROME STEEL BEARING WITH ECCENTRIC RING (POLYAMIDE)																						
12	54201NB-EC	99	76.5	11	28.6	5	56	M6x0.75	16.5	10	26	39.1	22.6	6	46.5	48.5	7300	4760	6500	0.20	50008	50008.APE
15	54202NB-EC	99	76.5	11	28.6	5	56	M6x0.75	16.5	10	26	39.1	22.6	6	46.5	48.5	7300	4760	6500	0.20	50008	50008.APE
16	54016NB-EC	99	76.5	11	28.6	5	56	M6x0.75	16.5	10	26	39.1	22.6	6	46.5	48.5	7300	4760	6500	0.20	50008	50008.APE
17	54203NB-EC	99	76.5	11	28.6	5	56	M6x0.75	16.5	10	26	39.1	22.6	6	46.5	48.5	7300	4760	6500	0.20	50008	50008.APE
20	54204NB-EC	114	90	11	33.3	5	64	M6x0.75	15.5	10	26	39.4	23.9	7	47.5	49.5	9850	6580	7500	0.23	50007	50007.APE
25	54205NB-EC	130	99	11	38.1	5	70	M6x0.75	17	12.5	29	40.4	23.4	7.5	52.2	54.2	10800	7800	8000	0.33	50011	50011.APE
30	54206NB-EC	148	117	11	44.5	6	84	M6x0.75	14.5	12.5	29	42.2	27.7	8	50.7	52.7	15000	11300	8800	0.49	50001	50001.APE
35	54207NB-EC	163	130	14	55.6	6.5	90	M8x1.00	18	16	33	48.4	30.4	8.5	63.7	65.7	19700	15300	9000	0.66	50004	50004.APE
40	54208NB-EC	175	144	14	60.3	6.5	100	M8x1.00	18	20	35	52.7	34.7	9	63.2	65.2	22400	17900	12500	0.87	50002	50002
STAINLESS STEEL BEARING WITH GRUB SCREWS (POLYAMIDE)																						
20	54204N/SS-EC	114	90	11	29	5	64	M6x0.75	15.5	10	26	34.2	18.7	7	47.5	49.5	7300	4900	7500	0.20	50007	50007.APE
25	54205N/SS-EC	130	99	11	34	5.5	70	M6x0.75	17	12.5	29	36.7	19.5	7.5	52.2	54.2	8100	5800	8000	0.30	50011	50011.APE
30	54206N/SS-EC	148	117	11	40.3	6	84	M6x0.75	14.5	12.5	29	36.5	22	8	50.7	52.7	11250	8400	8800	0.45	50001	50001.APE
35	54207N/SS-EC	163	130	14	48	6.5	90	M8x1.00	18	16	33	41.5	23.5	8.5	63.7	65.7	14700	11400	9000	0.60	50004	50004.APE
40	54208N/SS-EC	175	144	14	53	7	100	M8x1.00	18	20	35	43	25	9	63.2	65.2	16800	13400	12500	0.80	50002	50002.APE
CHROME STEEL BEARING WITH GRUB SCREWS (NOLU-CLEAN)																						
20	54204CG-EC	114	90	11	29	5	64	M6x0.75	15.5	10	26	33.5	18	7	47.5	49.5	9850	6580	7500	0.20	50007CG	50007.APE/CG
25	54205CG-EC	130	99	11	34	5.5	70	M6x0.75	17	12.5	29	36.5	19.5	7.5	52.2	54.2	10800	7800	8000	0.30	50011CG	50011.APE/CG
30	54206CG-EC	148	117	11	40.3	6	84	M6x0.75	14.5	12.5	29	36.5	22	8	50.7	52.7	15000	11300	8800	0.45	50001CG	50001.APE/CG
35	54207CG-EC	163	130	14	48	6.5	90	M8x1.00	18	16	33	41.5	23.5	8.5	63.7	65.7	19700	15300	9000	0.60	50004CG	50004.APE/CG
40	54208CG-EC	175	144	14	53	7	100	M8x1.00	18	20	35	43	25	9	63.2	65.2	22400	17900	12500	0.80	50002CG	50002.APE/CG
CHROME STEEL BEARING WITH ECCENTRIC RING (NOLU-CLEAN)																						
20	54204CGB-EC	114	90	11	33.3	5	64	M6x0.75	15.5	10	26	39.4	23.9	7	47.5	49.5	9850	6580	7500	0.23	50007CG	50007.APE/CG
25	54205CGB-EC	130	99	11	38.1	5	70	M6x0.75	17	12.5	29	40.4	23.4	7.5	52.2	54.2	10800	7800	8000	0.33	50011CG	50011.APE/CG
30	54206CGB-EC	148	117	11	44.5	6	84	M6x0.75	14.5	12.5	29	42.2	27.7	8	50.7	52.7	15000	11300	8800	0.49	50001CG	50001.APE/CG
35	54207CGB-EC	163	130	14	55.6	6.5	90	M8x1.00	18	16	33	48.4	30.4	8.5	63.7	65.7	19700	15300	9000	0.66	50004CG	50004.APE/CG
40	54208CGB-EC	175	144	14	60.3	6.5	100	M8x1.00	18	20	35	52.7	34.7	9	63.2	65.2	22400	17900	12500	0.87	50002CG	50002.APE/CG
STAINLESS STEEL BEARING WITH GRUB SCREWS (NOLU-CLEAN)																						
20	54204CG/SS-EC	114	90	11	29	5	64	M6x0.75	15.5	10	26	34.2	18.7	7	47.5	49.5	7300	4900	7500	0.20	50007CG	50007.APE/CG
25	54205CG/SS-EC	130	99	11	34	5.5	70	M6x0.75	17	12.5	29	36.7	19.5	7.5	52.2	54.2	8100	5800	8000	0.30	50011CG	50011.APE/CG
30	54206CG/SS-EC	148	117	11	40.3	6	84	M6x0.75	14.5	12.5	29	36.5	22	8	50.7	52.7	11250	8400	8800	0.45	50001CG	50001.APE/CG
35	54207CG/SS-EC	163	130	14	48	6.5	90	M8x1.00	18	16	33	41.5	23.5	8.5	63.7	65.7	14700	11400	9000	0.60	50004CG	50004.APE/CG
40	54208CG/SS-EC	175	144	14	53	7	100	M8x1.00	18	20	35	43	25	9	63.2	65.2	16800	13400	12500	0.80	50002CG	50002.APE/CG

* MAX. RADIAL LOAD CAPACITY OF HOUSING: Values indicated in the table above, are obtained at 23°C. Strength of housing indicated on [page 115](#).

UCFH-R

WATERPROOF



TECHNICAL INFORMATION for UCFH-R

- **Resistance to corrosion:**
 - Polyamide version (PA): good resistance to many corrosive chemicals such as water, oils, greases, petrol, milk, wine, alcoholic beverages.
- **High load capacity.**
- **Continuous operating temperature:**
 - All our bearings can be used at temperatures between 0°C and +80°C. For lower or higher temperatures please consult our Engineering Department.
- **Self-alignment:**
 - Max misalignment between shaft and housing: 2.0°.
- **Low maintenance and trouble-free operation.**
- **Easy Cleaning.**
- **Ball bearing pre-lubricated with long-life grease, which is ideal in applications in humid conditions, with water, alkaline or acid solutions.**
- **Concept and design to meet all safety requirements.**
- **Interchangeable with standard cast iron flanged supports.**
- **Application in the food, beverage and pharmaceutical industry.**
- **Completely sealed units.**



WATERPROOF

SEE ALSO...

Accessories: [p. 110](#)
Features, lubrication and maintenance: [p. 112](#)
Mounting instruction: [p. 113 - 114](#)
Calculation of load capacity, bearing life: [p. 115 - 116](#)
Chemical resistance: [p. 120 - 121](#)

COMPONENTS

- ① Housing in reinforced polyamide (Housing in reinforced polypropylene available on request).
- ② Adjustable chrome steel or stainless steel ball bearing, pre-lubricated. Can be re-lubricated by means of grease-nipple or a quick coupler.
- ③ Ball-type grease-nipple or quick coupler from nickel plated brass (available upon request) to take semi-rigid hoses \varnothing 4 mm in Rilsan (see accessories on [page 110](#)). Version with stainless steel bearing has a stainless steel grease nipple.
- ④ Clip-on safety cap.
- ⑤ Spacers from nickel plated brass to reinforce fixing holes.
- ⑥ Polyethylene washer for grease-nipple.
- ⑧ Rotary shaft seal ring with extra dust-protection lip in NBR rubber.
- ⑨ Heavy duty O-Ring in NBR rubber.

UCFH-R WATERPROOF

POLYAMIDE HOUSING

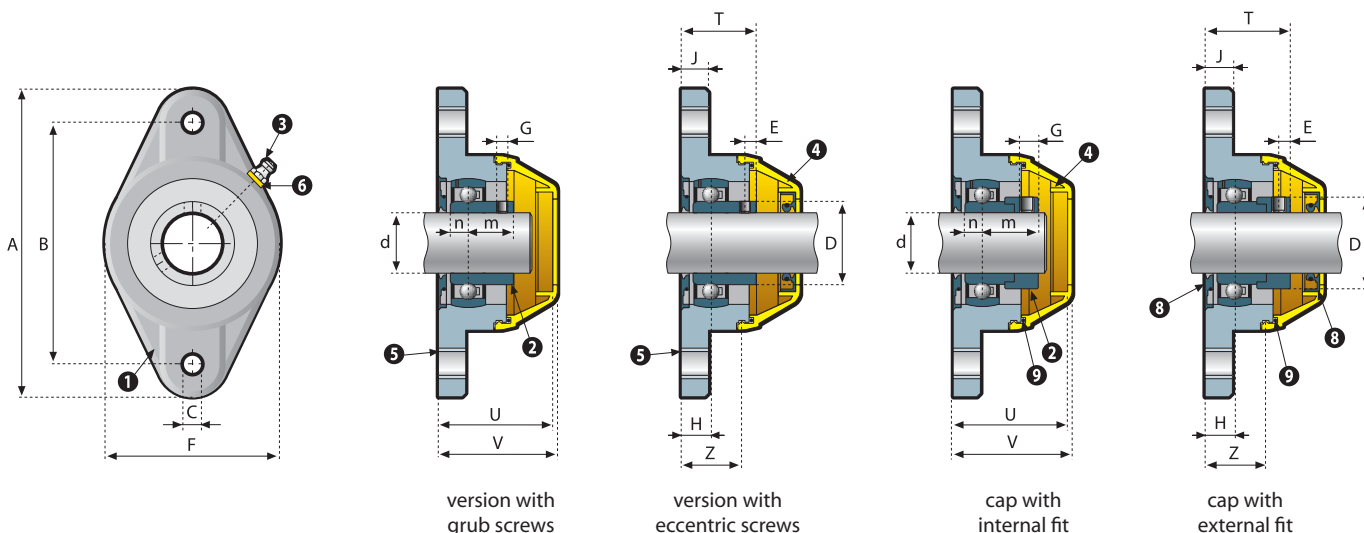


UCFH-R WATERPROOF

NOLU-CLEAN is a new antimicrobial material of improved hygiene. For detailed information refer to [page 7](#).

NOLU-CLEAN HOUSING





Preferred types, readily available (codes marked in red)

ø d mm	cap with external fit		dimension (mm)														bearing load ratings		housing load rating max. N*	weight (Kg)
	closed	open	A	B	C	D	E	F	G	H	J	Z	T	m	n	U	V	dynamic C (N)		

CHROME STEEL BEARING WITH GRUB SCREWS (POLYAMIDE)

12	54201NR-EC	59201NR-EC	99	76.5	11	24.6	4	56	M5x0.80	16.5	10	26	32.5	16	6	46.5	48.5	7300	4760	6500	0.19
15	54202NR-EC	59202NR-EC	99	76.5	11	24.6	4	56	M5x0.80	16.5	10	26	32.5	16	6	46.5	48.5	7300	4760	6500	0.19
16	54016NR-EC	59016NR-EC	99	76.5	11	24.6	4	56	M5x0.80	16.5	10	26	32.5	16	6	46.5	48.5	7300	4760	6500	0.19
17	54203NR-EC	59203NR-EC	99	76.5	11	24.6	4	56	M5x0.80	16.5	10	26	32.5	16	6	46.5	48.5	7300	4760	6500	0.19
20	54204NR-EC	59204NR-EC	114	90	11	29	5	64	M6x0.75	15.5	10	26	33.5	18	7	47.5	49.5	9850	6580	7500	0.21
25	54205NR-EC	59205NR-EC	130	99	11	34	5.5	70	M6x0.75	17	12.5	29	36.5	19.5	7.5	52.2	54.2	10800	7800	8000	0.32
30	54206NR-EC	59206NR-EC	148	117	11	40.3	6	84	M6x0.75	14.5	12.5	29	36.5	22	8	50.7	52.7	15000	11300	8800	0.45
35	54207NR-EC	59207NR-EC	163	130	14	48	6.5	90	M8x1.00	18	16	33	41.5	23.5	8.5	63.7	65.7	19700	15300	9000	0.60
40	54208NR-EC	59208NR-EC	175	144	14	53	7	100	M8x1.00	18	20	35	43	25	9	63.2	65.2	22400	17900	12500	0.80

CHROME STEEL BEARING WITH ECCENTRIC RING (POLYAMIDE)

12	54201NRB-EC	59201NRB-EC	99	76.5	11	28.6	5	56	M6x0.75	16.5	10	26	39.1	22.6	6	46.5	48.5	7300	4760	6500	0.24
15	54202NRB-EC	59202NRB-EC	99	76.5	11	28.6	5	56	M6x0.75	16.5	10	26	39.1	22.6	6	46.5	48.5	7300	4760	6500	0.24
16	54016NRB-EC	59016NRB-EC	99	76.5	11	28.6	5	56	M6x0.75	16.5	10	26	39.1	22.6	6	46.5	48.5	7300	4760	6500	0.24
17	54203NRB-EC	59203NRB-EC	99	76.5	11	28.6	5	56	M6x0.75	16.5	10	26	39.1	22.6	6	46.5	48.5	7300	4760	6500	0.24
20	54204NRB-EC	59204NRB-EC	114	90	11	33.3	5	64	M6x0.75	15.5	10	26	39.4	23.9	7	47.5	49.5	9850	6580	7500	0.28
25	54205NRB-EC	59205NRB-EC	130	99	11	38.1	5	70	M6x0.75	17	12.5	29	40.4	23.4	7.5	52.2	54.2	10800	7800	8000	0.37
30	54206NRB-EC	59206NRB-EC	148	117	11	44.5	6	84	M6x0.75	14.5	12.5	29	42.2	27.7	8	50.7	52.7	15000	11300	8800	0.50
35	54207NRB-EC	59207NRB-EC	163	130	14	55.6	6.5	90	M8x1.00	18	16	33	48.4	30.4	8.5	63.7	65.7	19700	15300	9000	0.68
40	54208NRB-EC	59208NRB-EC	175	144	14	60.3	6.5	100	M8x1.00	18	20	35	52.7	34.7	9	63.2	65.2	22400	17900	12500	0.80

ø d mm	cap with external fit		dimension (mm)														bearing load ratings		housing load rating max. N*	weight (Kg)
	closed	open	A	B	C	D	E	F	G	H	J	Z	T	m	n	U	V	dynamic C (N)		

CHROME STEEL BEARING WITH GRUB SCREWS (NOLU-CLEAN)

20	54204CGRB-EC	59204CGRB-EC	114	90	11	29	5	64	M6x0.75	15.5	10	26	33.5	18	7	47.5	49.5	9850	6580	7500	0.21
25	54205CGRB-EC	59205CGRB-EC	130	99	11	34	5.5	70	M6x0.75	17	12.5	29	36.5	19.5	7.5	52.2	54.2	10800	7800	8000	0.32
30	54206CGRB-EC	59206CGRB-EC	148	117	11	40.3	6	84	M6x0.75	14.5	12.5	29	36.5	22	8	50.7	52.7	15000	11300	8800	0.45
35	54207CGRB-EC	59207CGRB-EC	163	130	14	48	6.5	90	M8x1.00	18	16	33	41.5	23.5	8.5	63.7	65.7	19700	15300	9000	0.60
40	54208CGRB-EC	59208CGRB-EC	175	144	14	53	7	100	M8x1.00	18	20	35	43	25	9	63.2	65.2	22400	17900	12500	0.80

CHROME STEEL BEARING WITH ECCENTRIC RING (NOLU-CLEAN)

20	54204CGRB-EC	59204CGRB-EC	114	90	11	33.3	5	64	M6x0.75	15.5	10	26	39.4	23.9	7	47.5	49.5	9850	6580	7500	0.28
25	54205CGRB-EC	59205CGRB-EC	130	99	11	38.1	5	70	M6x0.75	17	12.5	29	40.4	23.4	7.5	52.2	54.2	10800	7800	8000	0.37
30	54206CGRB-EC	59206CGRB-EC	148	117	11	44.5	6	84	M6x0.75	14.5	12.5	29	42.2	27.7	8	50.7	52.7	15000	11300	8800	0.50
35	54207CGRB-EC	59207CGRB-EC	163	130	14	55.6	6.5	90	M8x1.00	18	16	33	48.4	30.4	8.5	63.7	65.7	19700	15300	9000	0.68
40	54208CGRB-EC	59208CGRB-EC	175	144	14	60.3	6.5	100	M8x1.00	18	20	35	52.7	34.7	9	63.2	65.2	22400	17900	12500	0.80

* MAX. RADIAL LOAD CAPACITY OF HOUSING: Values indicated in the table above, are obtained at 23°C. Strength of housing indicated on [page 115](#).

UCFH-RL

MAINTENANCE FREE

WATERPROOF



TECHNICAL INFORMATION for UCFH-RL

- **Resistance to corrosion:**
 - Polyamide version (PA): good resistance to many corrosive chemicals such as water, oils, greases, petrol, milk, wine, alcoholic beverages.
- **High load capacity.**
- **Continuous operating temperature:**
 - All our bearings can be used at temperatures between 0°C and +80°C. For lower or higher temperatures please consult our Engineering Department.
- **Self-alignment:**
 - Max misalignment between shaft and housing: 2.0°.
- **Low maintenance and trouble-free operation.**
- **Easy Cleaning.**
- **Ball bearing pre-lubricated with long-life grease, which is ideal in applications in humid conditions, with water, alkaline or acid solutions.**
- **Concept and design to meet all safety requirements.**
- **Interchangeable with standard cast iron flanged supports.**
- **Application in the food, beverage and pharmaceutical industry.**
- **Completely sealed units.**



WATERPROOF



**MAINTENANCE
FREE**

SEE ALSO...

Accessories: [p. 110](#)

Features, lubrication and maintenance: [p. 112](#)

Mounting instruction: [p. 113 - 114](#)

Calculation of load capacity, bearing life: [p. 115 - 116](#)

Chemical resistance: [p. 120 - 121](#)

COMPONENTS

- ① Housing in reinforced polyamide (Housing in reinforced polypropylene available on request).
- ② Adjustable chrome steel or stainless steel ball bearing, pre-lubricated.
Can be re-lubricated by means of grease-nipple or a quick coupler.
- ④ Clip-on safety cap.
- ⑤ Spacers from nickel plated brass to reinforce fixing holes.
- ⑧ Rotary shaft seal ring with extra dust-protection lip in NBR rubber.
- ⑨ Heavy duty O-Ring in NBR rubber.

UCFH-RL

MAINTENANCE FREE - WATERPROOF

POLYAMIDE HOUSING



UCFH-RL

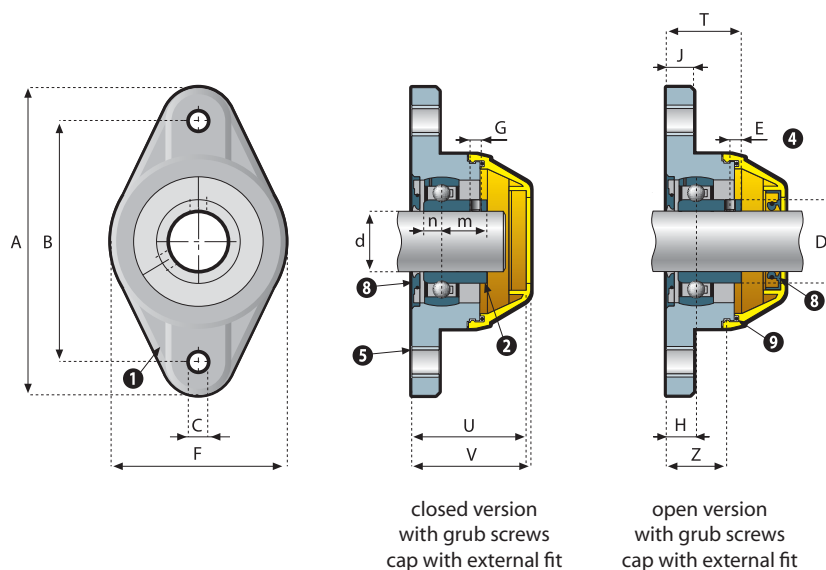
MAINTENANCE FREE - WATERPROOF

NOLU-CLEAN is a new antimicrobial material of improved hygiene.

For detailed information refer to [page 7](#).

NOLU-CLEAN HOUSING





closed version with grub screws cap with external fit

open version with grub screws cap with external fit

Preferred types, readily available (codes marked in red)

Ø d mm	cap with external fit		dimension (mm)														bearing load ratings		housing load rating max. N*	weight (Kg)	
	closed	open	A	B	C	D	E	F	G	H	J	Z	T	m	n	U	V	dynamic C (N)			static Co (N)
CHROME STEEL BEARING WITH GRUB SCREWS (POLYAMIDE)																					
20	54204NRL-EC	59204NRL-EC	114	90	11	29	5	64	M6x0.75	15.5	10	26	34.2	18.7	7	47.5	49.5	9850	6580	7500	0.20
25	54205NRL-EC	59205NRL-EC	130	99	11	34	5.5	70	M6x0.75	17	12.5	29	36.7	19.5	7.5	52.2	54.2	10800	7800	8000	0.30
30	54206NRL-EC	59206NRL-EC	148	117	11	40.3	6	84	M6x0.75	14.5	12.5	29	36.5	22	8	50.7	52.7	15000	11300	8800	0.45
35	54207NRL-EC	59207NRL-EC	163	130	14	48	6.5	90	M8x1.00	18	16	33	41.5	23.5	8.5	63.7	65.7	19700	15300	9000	0.60
40	54208NRL-EC	59208NRL-EC	175	144	14	53	7	100	M8x1.00	18	20	35	43	25	9	63.2	65.2	22400	17900	12500	0.80

* **MAX. RADIAL LOAD CAPACITY OF HOUSING:** Values indicated in the table above, are obtained at 23°C. Strength of housing indicated on [page 115](#).

Preferred types, readily available (codes marked in red)

Ø d mm	cap with external fit		dimension (mm)														bearing load ratings		housing load rating max. N*	weight (Kg)	
	closed	open	A	B	C	D	E	F	G	H	J	Z	T	m	n	U	V	dynamic C (N)			static Co (N)
CHROME STEEL BEARING WITH GRUB SCREWS (POLYAMIDE)																					
20	54204CGRL-EC	59204CGRL-EC	114	90	11	29	5	64	M6x0.75	15.5	10	26	34.2	18.7	7	47.5	49.5	9850	6580	7500	0.20
25	54205CGRL-EC	59205CGRL-EC	130	99	11	34	5.5	70	M6x0.75	17	12.5	29	36.7	19.5	7.5	52.2	54.2	10800	7800	8000	0.30
30	54206CGRL-EC	59206CGRL-EC	148	117	11	40.3	6	84	M6x0.75	14.5	12.5	29	36.5	22	8	50.7	52.7	15000	11300	8800	0.45
35	54207CGRL-EC	59207CGRL-EC	163	130	14	48	6.5	90	M8x1.00	18	16	33	41.5	23.5	8.5	63.7	65.7	19700	15300	9000	0.60
40	54208CGRL-EC	59208CGRL-EC	175	144	14	53	7	100	M8x1.00	18	20	35	43	25	9	63.2	65.2	22400	17900	12500	0.80

* **MAX. RADIAL LOAD CAPACITY OF HOUSING:** Values indicated in the table above, are obtained at 23°C. Strength of housing indicated on [page 115](#).

STANDARD



TECHNICAL INFORMATION for UCFT

- **Resistance to corrosion:**
 - Polyamide version (PA): good resistance to many corrosive chemicals such as water, oils, greases, petrol, milk, wine, alcoholic beverages.
- **High load capacity.**
- **Continuous operating temperature:**
 - All our bearings can be used at temperatures between 0°C and +80°C. For lower or higher temperatures please consult our Engineering Department.
- **Self-alignment:**
 - Max misalignment between shaft and housing: 2.5°.
- **Low maintenance and trouble-free operation.**
- **Easy Cleaning.**
- **Ball bearing pre-lubricated with long-life grease, which is ideal in applications in humid conditions, with water, alkaline or acid solutions.**
- **Concept and design to meet all safety requirements.**
- **Interchangeable with standard cast iron flanged supports.**
- **Application in the food, beverage and pharmaceutical industry.**

COMPONENTS

- ❶ Housing in reinforced polyamide (Housing in reinforced polypropylene available on request).
- ❷ Adjustable chrome steel or stainless steel ball bearing, pre-lubricated. Can be re-lubricated by means of grease-nipple or a quick coupler.
- ❸ Ball-type grease-nipple or quick coupler from nickel plated brass (available upon request) to take semi-rigid hoses ø 4 mm in Rilsan (see accessories on [page 110](#)). Version with stainless steel bearing has a stainless steel grease nipple.
- ❹ Clip-on safety cap (accessory).
- ❺ Washer UNI 6592, stainless steel AISI 304-DIN 1.4301.

UCFT STANDARD

POLYAMIDE HOUSING



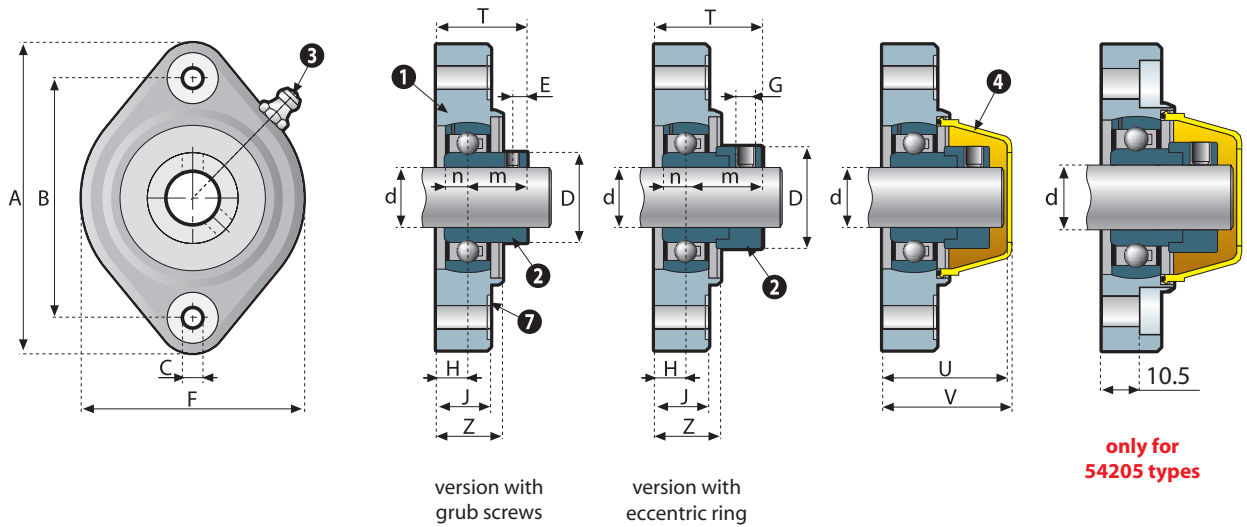
accessory

COLOUR

- Safety cap in yellow.
- Internal housing in black.
- For sufficient quantities parts can be produced in different colours.

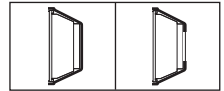
SEE ALSO...

Accessories: [p. 110](#)
 Features, lubrication and maintenance: [p. 112](#)
 Mounting instruction: [p. 113 - 114](#)
 Calculation of load capacity, bearing life: [p. 115 - 116](#)
 Chemical resistance: [p. 120 - 121](#)



Preferred types, readily available (codes marked in red)

Accessories



Ø d mm	code version	dimension (mm)														bearing load ratings		housing load rating max. N*	weight (Kg)	closed safety cap code	open safety cap code	
		A	B	C	D	E	F	G	H	J	Z	T	m	n	U	V	dynamic C (N)					static Co (N)
CHROME STEEL BEARING WITH GRUB SCREWS (POLYAMIDE)																						
12	54201TN	81	63.5	6.5	24.6	4	58.5	M5x0.80	8.5	16	19	24.5	16	6	33	35	7300	4760	6500	0.20	50024	50024.APE
15	54202TN	81	63.5	6.5	24.6	4	58.5	M5x0.80	8.5	16	19	24.5	16	6	33	35	7300	4760	6500	0.20	50024	50024.APE
16	54016TN	81	63.5	6.5	24.6	4	58.5	M5x0.80	8.5	16	19	24.5	16	6	33	35	7300	4760	6500	0.20	50024	50024.APE
17	54203TN	81	63.5	6.5	24.6	4	58.5	M5x0.80	8.5	16	19	24.5	16	6	33	35	7300	4760	6500	0.20	50024	50024.APE
25	54205TN	96	76	8.5	34	5.5	71	M6x0.75	10.5	18.5	21.5	30	19.5	7.5	44.5	46.5	10800	7800	10000	0.32	50009	50009.APE
CHROME STEEL BEARING WITH ECCENTRIC RING (POLYAMIDE)																						
12	54201TNB	81	63.5	6.5	28.6	5	58.5	M6x0.75	8.5	16	19	31.1	22.6	6	33	35	7300	4760	6500	0.23	50024	50024.APE
15	54202TNB	81	63.5	6.5	28.6	5	58.5	M6x0.75	8.5	16	19	31.1	22.6	6	33	35	7300	4760	6500	0.23	50024	50024.APE
16	54016TNB	81	63.5	6.5	28.6	5	58.5	M6x0.75	8.5	16	19	31.1	22.6	6	33	35	7300	4760	6500	0.23	50024	50024.APE
17	54203TNB	81	63.5	6.5	28.6	5	58.5	M6x0.75	8.5	16	19	31.1	22.6	6	33	35	7300	4760	6500	0.23	50024	50024.APE
25	54205TNB	96	76	8.5	38.1	5	71	M6x0.75	10.5	18.5	21.5	33.9	23.4	7.5	44.5	46.5	10800	7800	10000	0.35	50009	50009.APE
STAINLESS STEEL BEARING WITH GRUB SCREWS (POLYAMIDE)																						
25	54205TN/SS	96	76	8.5	34	5.5	71	M6x0.75	10.5	18.5	21.5	30	19.5	7.5	44.5	46.5	8100	5800	10000	0.32	50009	50009.APE

* **MAX. RADIAL LOAD CAPACITY OF HOUSING:** Values indicated in the table above, are obtained at 23°C. Strength of housing indicated on [page 115](#).