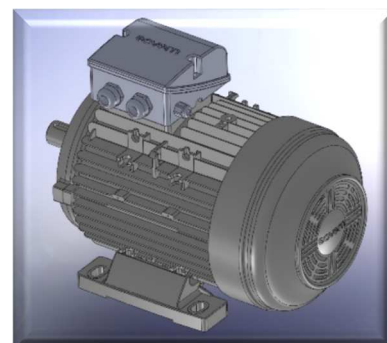


Three-phase motors with squirrel cage rotor, high efficiency motors
Aluminium Housing

H-IE2 112M4



Duty type		S1		
Design output	(kW)	4,00		4,80
Number of poles	(-)	4		
Design frequency	(Hz)	50		60
Design speed	[rpm]	1455		1735
Voltage	(V)	230/400		480
Connection	(-)	D	Y	Y
Current	(A)	14,1	8,13	8,13
Rated torque	(Nm)	26,3		
Relative pull-in current	(-)	7,0		
Relative starting torque	(-)	2,3		
Relative pull-out torque	(-)	2,3		
Power factor	(-)	0,82		
Efficiency	(100 %)	86,6		
Efficiency	(75 %)	86,9		
Efficiency	(50 %)	84,9		
Th. cl.		155(F/B)		
Coolant temperature	(°C)	40°C		
Altitude above sea level	(m)	1000m		
Degree of protection		IP55		
Motor weight	(kg)	30		
Bearing, D-side		6306 2Z C3		
Bearing, N-side		6306 2Z C3		
Relubrication interval	(h)	-		
A-sound pressure level	(dB)	65		
Special details to bearings 1		none		
Special details to bearings 2		Fixed bearing, D-side		
Bearing monitoring		none		
Winding protection		none		
Winding protection 2		none		
Anti-condensation heating		none		
Special versions 1		none		
Special versions 2		none		
Special versions 3		none		
Cooling type		IC 411		
Limit values to vibration velocity		Class A		
Balancing		with half key		
Colour system		Moderate		
Colour shade		RAL 7031		
Layer thickness		70 µm		

Delivery conditions and/or official regulations: DIN EN 60034-1

This document was produced electronically, all specifications are valid only after confirmation of the manufacturer