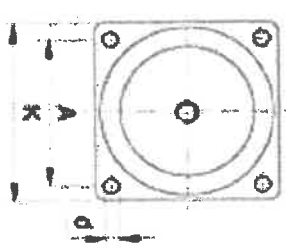
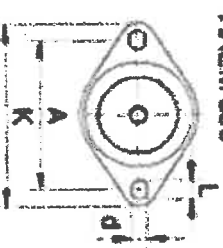
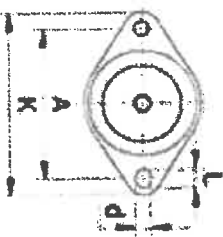
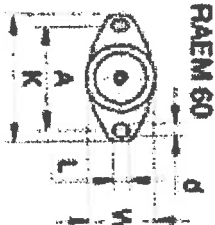
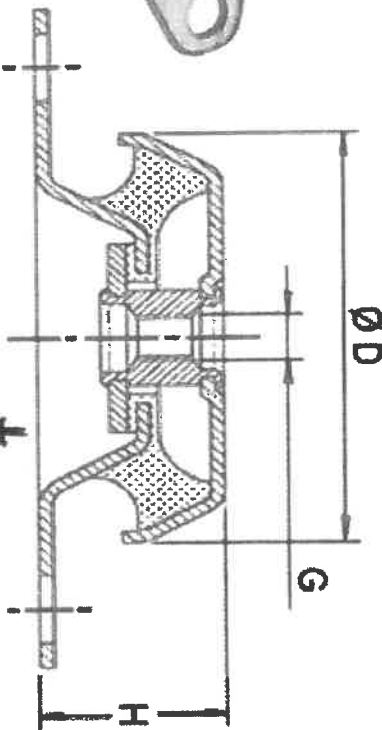
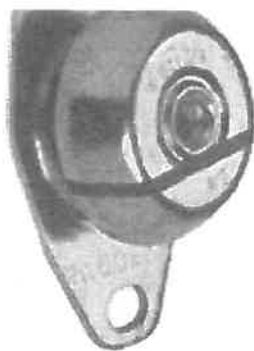


s not always
s fitted with a
g) with resilient
ie on mobile or

RA 350/M16	10-00112-01	10-00113-01	101	140-148	38	177	19	18	M10	0.74	220	700
RA 500	10-00116-01	10-00117-01	123	158	42	192	14	18	M16	1.02	450	700
RA 800	10-00118-01	10-00119-01	144	182	46	216	14	18	M16	1.59	750	1300
RA 1200	10-00154-01	10-00155-01	161	140	58	170	14		M20	2.19	900	1600
RA 1800	10-00156-01	10-00157-01	181	160	66.5	190	14		M20	2.33	1300	2100



RAEM is a further
for "extra soft". It
herefore provide a

anti-vibration
standard with a
silient stop.

Type	Part no. 40° IRH	Part no. 60° IRH	D	A	W	H	K	d	L	G	Weight (kg)	Max. Load (kg) 40° IRH 60° IRH
Dimensions in mm												
RAEM 40	10-00122-01	10-00123-01	64	88		35.5	110	9	12	M10	0.26	30 60
RAEM 60	10-00183-01	10-00184-01	63	100	61	35.5	120	11	15	M12	0.30	60 120
RAEM 125 M10	10-00108-01	10-00109-01	84	110		35.5	135	11	15	M10	0.37	80 180
RAEM 125 M12	10-00168-01	10-00169-01	84	110		35.5	135	11	15	M12	0.37	80 180
RAEM 350 M12	10-00174-01	10-00175-01	110	140-148		42	175	14	18	M12	0.80	200 400
RAEM 350 M16	10-00114-01	10-00115-01	110	140-148		42	175	14	18	M16	0.80	200 400
RAEM 800	10-00120-01	10-00121-01	155	182		54	216	14	18	M16	1.8	450 800
RAEM 1500	10-00158-01	10-00159-01	182	146		85	180	14		M20	3.0	900 1700
RAEM 2500	10-00160-01	10-00161-01	224	180		105.5	220	17.5		M24	4.6	1700 3400

