




Product information ELST 412 FA

Industrial Connecting Solutions:Archive - Industrial Connectors:Circular Connectors E-series M12 / M12 push-pull (Archive):with screw locking:Appliance socket for front panel mounting (circuit board):ELST 412 FA

<https://e-catalog.hirschmann.com:443/link/57078-24228-62529-24256-24257-24274-36836/en/conf/ui/state>

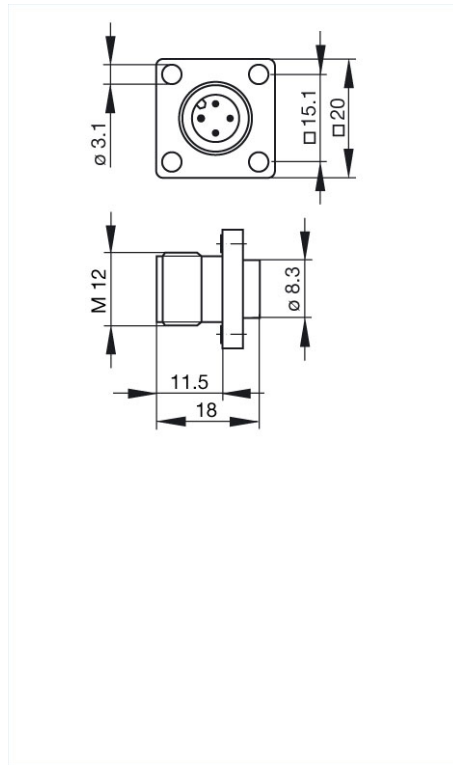
Name	ELST 412 FA
	
	Appliance connector for flange mounting, with flat gasket
Delivery informations	
Availability	no longer available
Product description	
Description	Appliance connector for flange mounting, with flat gasket
Type	ELST 412 FA
Order No.	932 328-206
Type of contact	male
Number of contacts	4
Standard	IEC 61076-2-101 (Ed. 1)/ IEC 60947-5-2
Housing Color	grey
Technical data	
Pin dimensions	1 mm
Rated voltage	AC/DC 150 V
Rated current	4 A
Type of termination	solder, hollow pins
Suitable cables	max. 0.5 mm ²
Material	
Contact material	Cu Zn
Contact surface material	Sn
Contact bearer material	PA
Housing material	PA
O-Ring	NBR
Environmental conditions	
Protection class (IEC 60529)	IP 68
Pollution severity	3
Temperature range	-25 °C to +90 °C
Inflammability class	
Contact bearer	94 V-2
Approvals	
UL	UL
Packing unit	
Packaging unit	100 pieces
Scope of delivery and accessories	
Accessories to order separately	protective cap M12 VS, order no. 734 209-100

Industrial Connecting Solutions:Archive - Industrial Connectors:Circular Connectors E-series M12 / M12 push-pull (Archive):with screw locking:Appliance socket for front panel mounting (circuit board):ELST 412 FA

<https://e-catalog.hirschmann.com:443/link/57078-24228-62529-24256-24257-24274-36836/en/conf/uistate>

Picture

Drawing



The information published in the websites has been compiled as carefully as possible. It is subject to alteration without notice in technical as well as in price-related/commercial respect. The complete information and data were available on user documentation. Mandatory information can only be obtained by a concrete query.