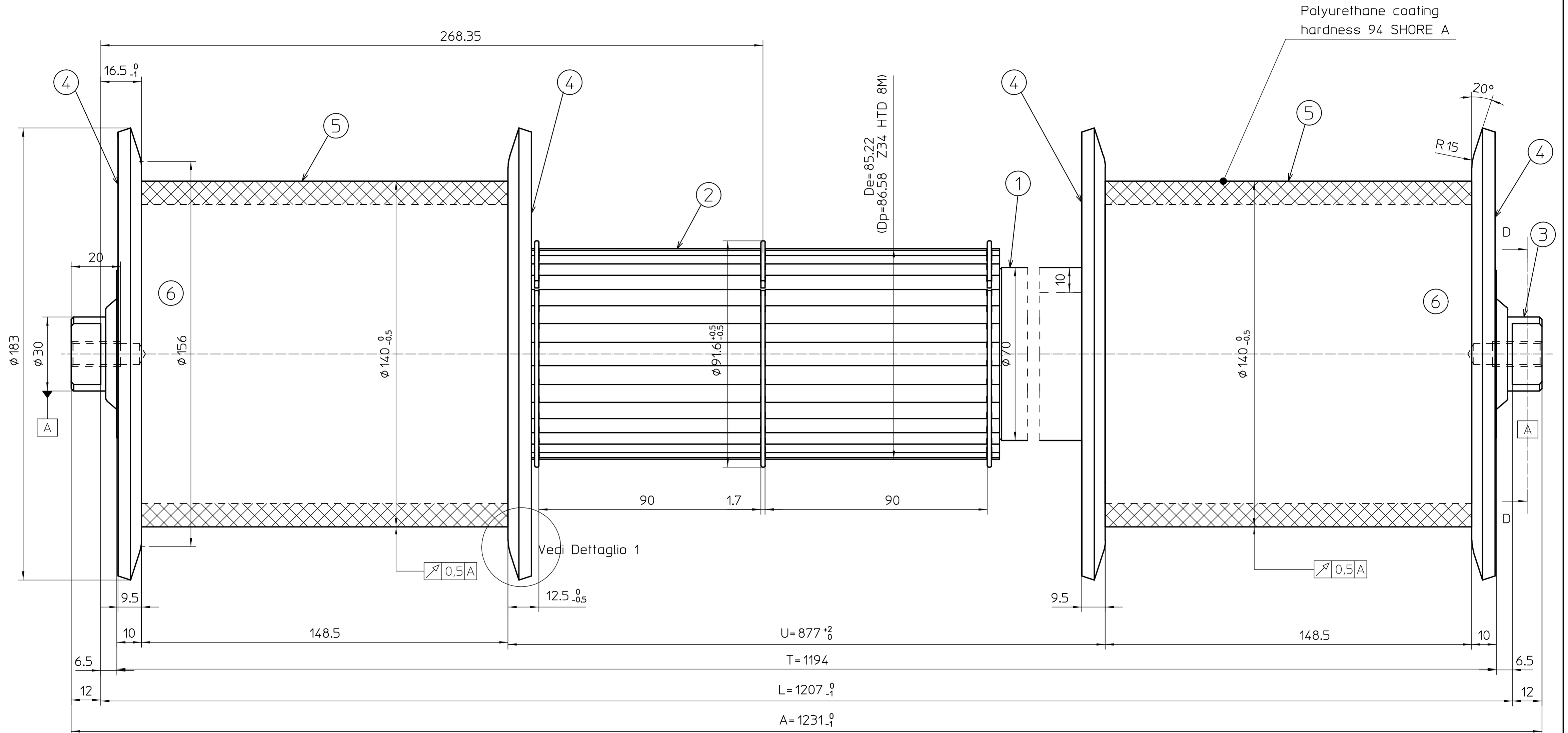
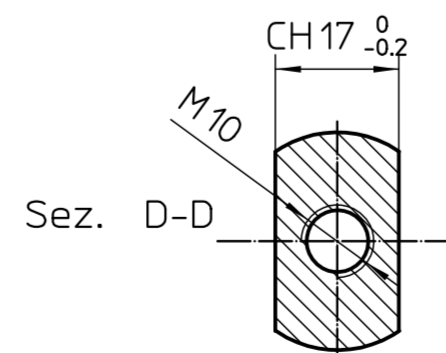


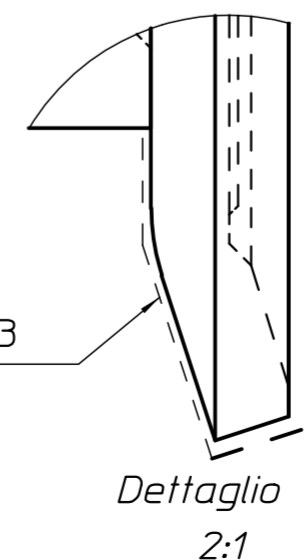
Coating must not have detectable traces of silicone.



1	Tube dia. 70x10 mm EN 10025-S235 or similar/higher.
2	Pulley Z34 HTD 8M-85 Dp=86.58 De=85.22 EN10025-S235 JRG2 and snap rings SP85 DIN 5417 with rounded edge.
3	Axle dia. 30 mm EN 10025-S235 JRG2 with threaded holes M10x20 and milled ends dim. 17x12 mm.
4	Flange dia. 183x6 (hardened) and flange dia. 112x5 mm made by EN 10111 DD11 or similar/higher.
5	Polyurethane coating hardness 95 +/- 3 Shore A
6	Single row rigid radial precision bearings type 6206-2RS lifetime lubrication.



Carbonitriding HRC 50-63



DRAWING FOR CUSTOMER

DESCRIZIONE ULTIMA MODIFICA				ESEGUITA	APPROV.
02	Modificata TY.			Pace	Gamberini
DENOMINAZIONE				TOLLERANZE DIM. E FORMA:	
D140/70/30 Z34 HTD8M-85 DRIVEN ROLLER				T268-01-00/T268-03-00	
POLYURETHANE COATED - DE183 HARDENED FLANGES				SALDATURE: T287-01-00	
MODIFICHE				DATA	
DIS. Rizza				DATA	SCHEDA N°
CONTR. Rizza				26/11/14	3466
APPROV. Pace				00	26/11/14
SCALA 1:1				01	16/02/17
FORM. A2				02	04/07/17
DIS.N. 329656V					4130
SOSTITUISCE -					