

## Honsberg Flow switch with high accuracy



Model FF

- For liquids and air/gas up to 200 bar
- Flow from 0.4 to 90 l/min. water
- Supplied factory pre-set

### Range of applications

Model FF is a flow switch for liquids. The design is a spring-loaded piston, which provides a high level of accuracy. Its robust design with housing in bronze makes it a good alternative in more demanding applications. FF copes with high pressure and dirty media. The switch is always supplied factory-set at the cut-out point required.

### Technical specification

|                              |  |
|------------------------------|--|
| <b>Function</b>              | Piston, reed switch                                    |
| <b>Max. voltage</b>          | 250 V AC   |
| <b>Max. load</b>             | 50 VA  |
| <b>Electrical connection</b> | 1.5 m overmoulded cable                                |
| <b>IP-class</b>              | IP65   |
| <b>Connection</b>            | Internal thread 1/4" to 1 1/2"                         |
| <b>Max. deviation</b>        | ±0.3 l/min   |
| <b>Hysteresis</b>            | Depending on limit value, however, at least 0.4 l/min. |
| <b>Viscosity</b>             | 1 cSt  |
| <b>Max. pressure</b>         | 200 bar  |
| <b>Media temperature</b>     | Max. +110 °C   |
| <b>Pressure drop</b>         | Approx. 0.4 bar at max. flow                           |
| <b>Design</b>                |  |
| <b>Material housing</b>      | Bronze   |
| <b>Material body</b>         | Brass  |
| <b>Piston</b>                | Stainless steel 1.4305                                 |
| <b>Spring</b>                | Stainless steel 1.4310                                 |
| <b>Seals</b>                 | NBR  |
| <b>Weight</b>                | See table  |

### Media



Vatten

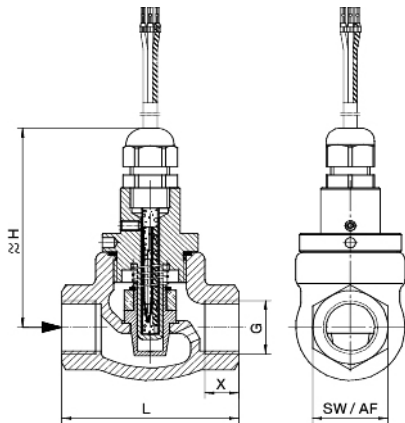


Olja



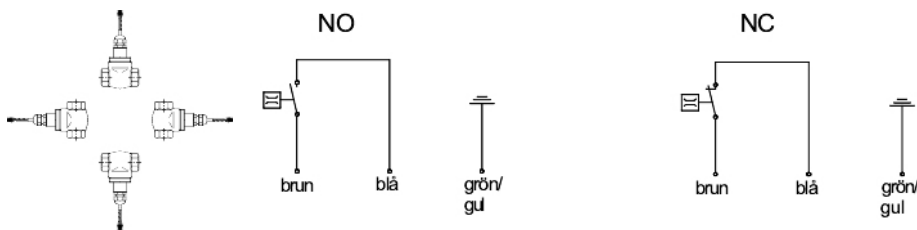
Luft/Gas

## Dimensions



| G"    | L mm | H mm | SWmm | X mm | Weight kg |
|-------|------|------|------|------|-----------|
| 1/4   | 68   | 79   | 29   | 12   | 0.6       |
| 3/8   | 68   | 79   | 29   | 12   | 0.6       |
| 1/2   | 68   | 79   | 29   | 13   | 0.6       |
| 3/4   | 73   | 79   | 32   | 11   | 0.7       |
| 1     | 87   | 90   | 41   | 14   | 1.0       |
| 1 1/4 | 98   | 94   | 52   | 14   | 1.5       |
| 1 1/2 | 113  | 95   | 59   | 14   | 2.0       |

## Installation / Electrical



## Order number

| Item number | Connection G | Flow range   | Max. flow    | Max. pressure |
|-------------|--------------|--------------|--------------|---------------|
| Brass       | G            | l/min. water | l/min. water | bar           |
| FF-008GR009 | 1/4          | 0.4-9        | 10           | 200           |
| FF-010GR010 | 3/8          | 0.4-10       | 15           | 200           |
| FF-015GR012 | 1/2          | 0.4-12       | 20           | 200           |
| FF-020GR025 | 3/4          | 0.6-25       | 40           | 25            |
| FF-025GR040 | 1            | 1.5-40       | 60           | 25            |
| FF-032GR060 | 1 1/4        | 2-60         | 100          | 16            |
| FF-040GR090 | 1 1/2        | 3-90         | 150          | 16            |

## Special versions

- Version for air and oil