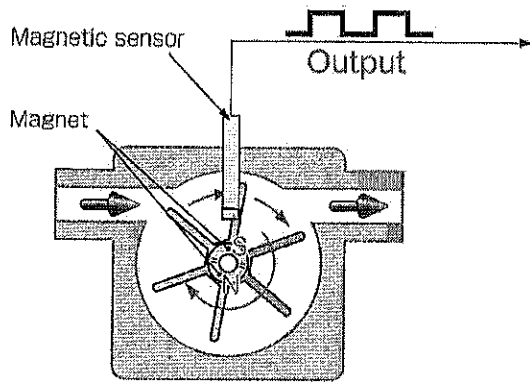


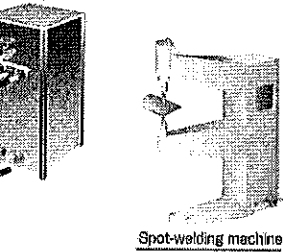
Measurement principle



Examples of use

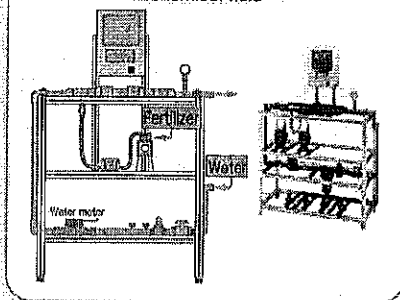
Plant monitoring in molding machines / welding machines

Mold temperature controller



Spot-welding machine

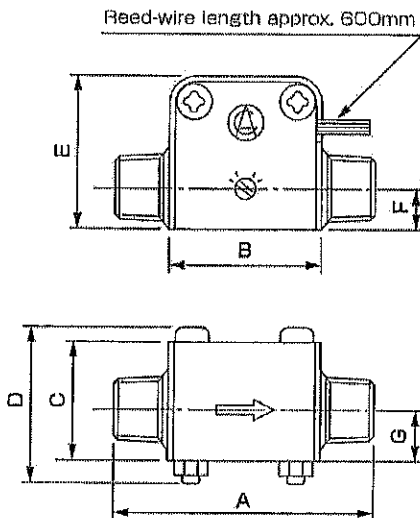
Proportional injection of chemical fluid



Your own specialized application



External dimensions



Unit : mm

Model	ND05	ND10	ND20
A	80	80	110
B	47	47	68
C	37.5	37.5	50
D	49	49	65
E	47	47	68
F	12.5	12.5	18
G	16	16	23