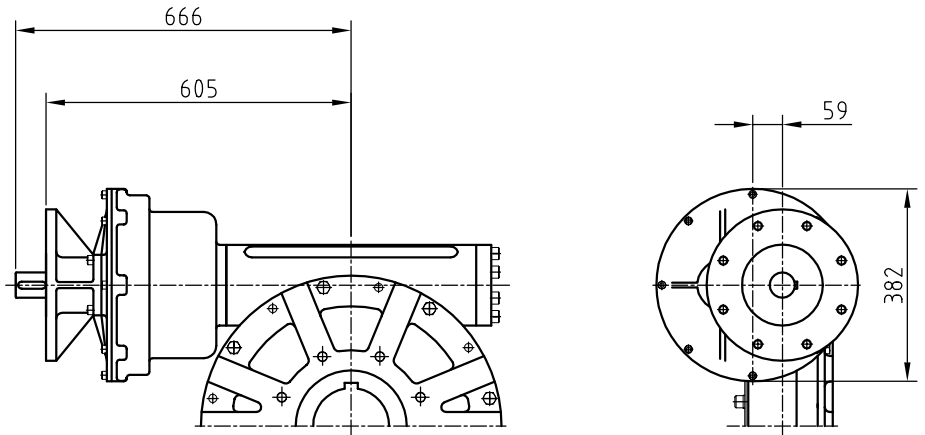
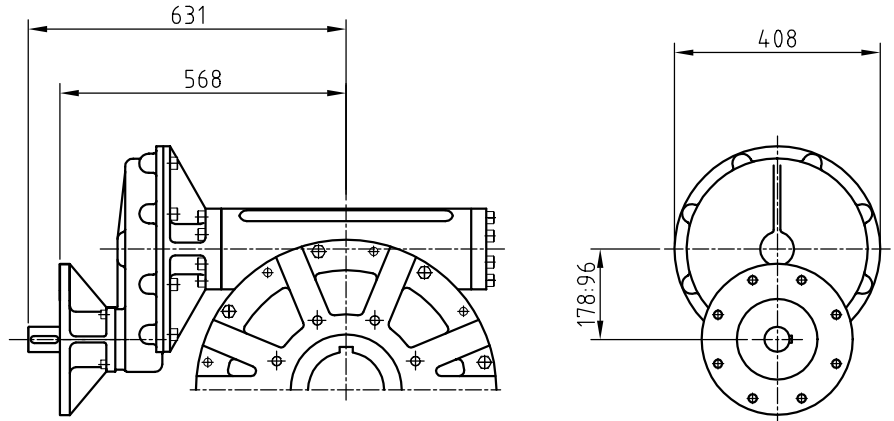


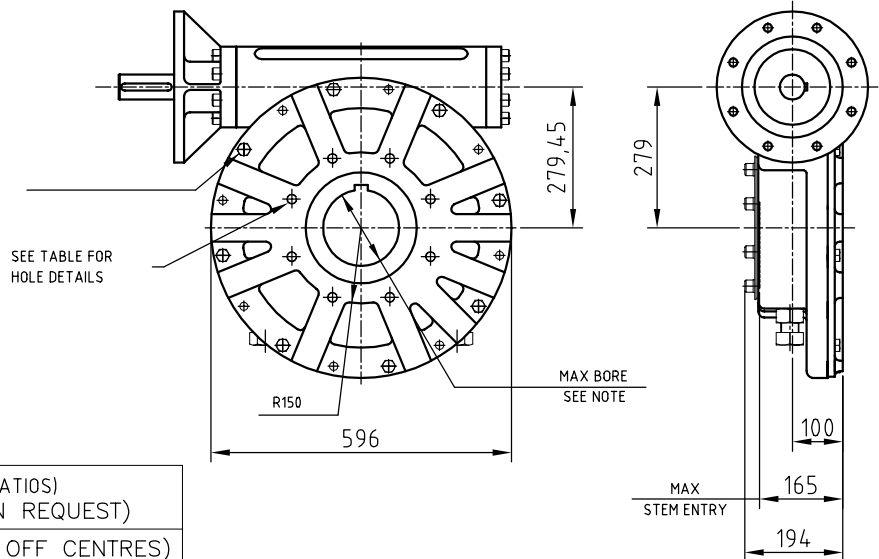
VIEWS SHOWING
MOTORISED UNIT
RATIOS 960, 1080, 1440,
2160, 2520 & 3000



VIEWS SHOWING
MOTORISED UNIT
RATIOS 180, 240, 360,
480, 540 & 720



MOUNTING HOLES CAN BE
POSITIONED ON CRS BY
REMOVING 8 BOLTS INDICATED
AND REPOSITIONING



BASEPLATE DETAILS (ALL RATIOS) (ALTERNATIVES AVAILABLE ON REQUEST)	
HOLE DETAILS (22.5° OFF CENTRES)	
ISO F30	8 HOLES M20x30 (1.18") DEEP ON $\phi 298.0$ ($\phi 11.73$ ") P.C.
ISO F35	8 HOLES M30x36 (1.42") DEEP ON $\phi 356.0$ ($\phi 14.02$ ") P.C.
ISO F40	8 HOLES M36x30 (1.18") DEEP ON $\phi 406.0$ ($\phi 15.98$ ") P.C.

Alle Abmessungen in mm / All dimensions in mm

SCHIEBEL	Maßbild / Dimensions Worm quadrant gearbox IW9 for use with electric actuator		Maßbildnummer M00_2E09
	Datum	Name	
Bearb.	05.27.2002	FP	
Gepr.			
Dateiname F:\ExecoMB\Schiebel\Iw9.dwg			