

Catalog Number: 254-F0320182J

Description: CONVECTOR - [254] Explosion-proof Heater 1800W , 240V,
1Phase, 7.5A, Size 2, Class I, Divisions 1 & 2, Groups B, C, and D,
Temp. Code T2A 536F (280C)



CONVECTOR - [254] Explosion-proof Heater



Architect's and Engineer's Specifications

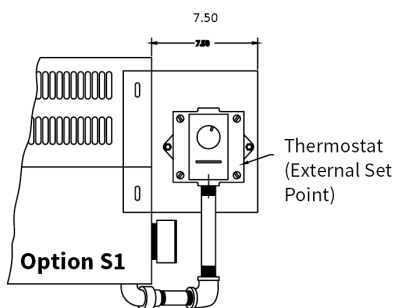
Element – Element core shall use Grade A resistance wire (80% nickel, 20% chromium) heating coils, insulated by ceramics and magnesium oxide, installed into a copper heater tube and fitted with large aluminum fins locked in place. Element core shall be welded to a terminal enclosure which has been pressure tested to 200 PSI. Three phase convectors shall have balanced loads.

Cabinet – Cabinet shall be made from 18 gauge galvanized steel finished with beige powder coating. A sloped top front cover shall be provided with large open area for effective air

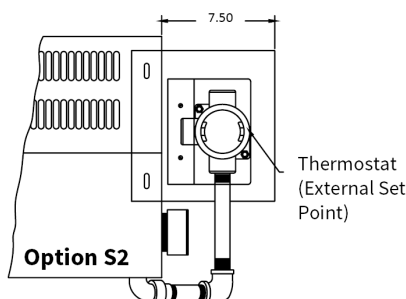
movement to prevent blockage of airflow due to objects being set on top of the convector. Convectors shall be furnished with terminal enclosure with threaded on cover for field wiring connections.

Built-in Controls - A linear limit, automatic reset thermal cut-out is built into every unit.

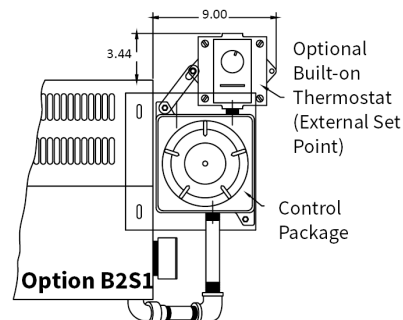
Installation Requirements - Cabinet should be mounted at least 6 inches (152mm) above the floor. Factory-furnished wall brackets make installation easy.



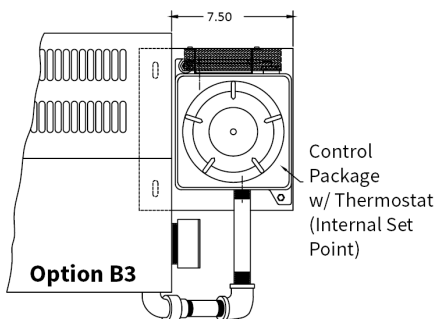
Thermostat is rated for Class I, Groups C and D
Class II Groups E, F and G



Thermostat is rated for Class I, Groups B, C and D
Class II Groups E, F and G



Thermostat is rated for Class I, Groups C and D
Class II Groups E, F and G



Thermostat is rated for Class I, Groups B, C and D
Class II Groups E, F and G

Hazardous Classification Rating

XX-25 4-F-03-1-030-4- U-B1

NEC Temperature Code

03 = T2A = 536°F/280°C

06 = T3A = 356°F/180°C

08 = T3C = 320°F/160°C

Location

2 = Class I, Groups B, C, D

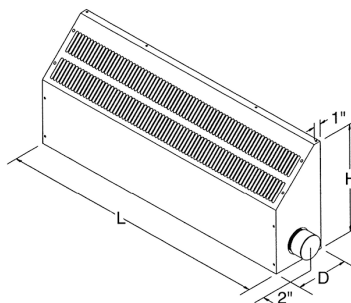
3 = Class I, Groups C, D

4 = Class II, Groups E, F, G

Dimensions and Weights

Unit Size	Dimensions - In. (cm)			Weight - Lb (kg)
	Length (L)	Height (H)	Depth (D)	Without Controls
1	26 (66)	6 (15)	4-1/2 (11)	13 (5.9)
2	26 (66)	16 (41)	8 (20)	27 (12.2)
3	39 (99)	16 (41)	8 (20)	36 (16.3)
4	67-1/2 (171)	16 (41)	8 (20)	60 (27.2)

Class I, Division 1 and 2, Groups B, C and D
Class I, Divisions 1 and 2, Groups C and D
Class II, Divisions 1 and 2, Groups E, F and G
Class I, Zones 1 and 2, Group IIC





LIMITED WARRANTY

Indeeco new products are warranted against defects in workmanship, material, design, labeling and packaging. No other warranty, expressed or implied, written or oral, applies. No person other than an officer or the general manager of Indeeco is authorized to give any other warranty or assume any liability.

Warranty Period

Warranty periods differ between product lines. See chart on following page for item specific warranty periods.

Conditions of Warranty

Indeeco products must be installed, operated, and maintained in accordance with Indeeco's instructions. Indeeco is not liable for damage or unsatisfactory performance of the product resulting from accident, negligence, alteration, unauthorized repair, improper application or installation of the product, improper specifications, or corrosion. **INDEECO IS NOT LIABLE FOR ANY INCIDENTAL OR CONSEQUENTIAL DAMAGES.** Claims against carriers for damage in transit must be filed by the purchaser with the carrier.

Remedy

If after receipt of the product and the claim, Indeeco finds to its reasonable satisfaction that the product is defective in workmanship, material, design, labeling or packaging, the product will be repaired or replaced, or the purchase price refunded at Indeeco's option. There will be no charge to the purchaser for parts or labor. Removal and reinstallation of the product, and shipment of the product to Indeeco for repair or inspection, shall be at the purchaser's risk and expense.

THE REPAIR, REPLACEMENT, OR REFUND PROVIDED FOR IN THIS LIMITED WARRANTY IS THE EXCLUSIVE REMEDY OF THE PURCHASER. THIS WARRANTY IS EXPRESSLY IN LIEU OF ANY OTHER, INCLUDING ANY WARRANTY OF MERCHANTABILITY OR FITNESS FOR A PARTICULAR PURPOSE. THERE ARE NO WARRANTIES WHICH EXTEND BEYOND THE TERMS OF THIS LIMITED WARRANTY.



Indeeco Product Line	Warranty Period
BBI	5 years* and lifetime on heating element
BCSI	10 years*
BISI	1 year*
BCI	10 years*
BII	1 year*
BASI	1 year*
BAI	1 year*
BCHI	10 years* and lifetime on heating element
CASI	1 year*
CAI	1 year*
BMI	1 year*
BHI	10 years*
RCI	10 years*
UHCI	5 years*
CUI	5 years*
ULIR	3 years*
UCI	1 year*
UPI	1 year*
UVI	3 years*
WRI	5 years*
CCI	1 year*
WCI	5 years*
WAI	5 years*
WLI	5 years*
EWI	2 years* and 5 years* on heating element
CDI	5 years*
CDIR	5 years*
TSI	1 year*
FFI	1 year*
WHI	2 years* and 5 years* on heating element
CLI	1 year*
All Other Product Lines	18 months from the date of shipment from Indeeco's factory, or 12 months from the date the product is first placed into service, whichever period lapses first.

*From date of shipment from Indeeco's factory.