
SPECIFICATION FOR APPROVAL

日 期

Date

2016年10月11日

客戶品名編號

Customer`s Part No.

品 名/規 格

Description/Specification

340E/LEAD FREE(GP)

料 號

Part No.

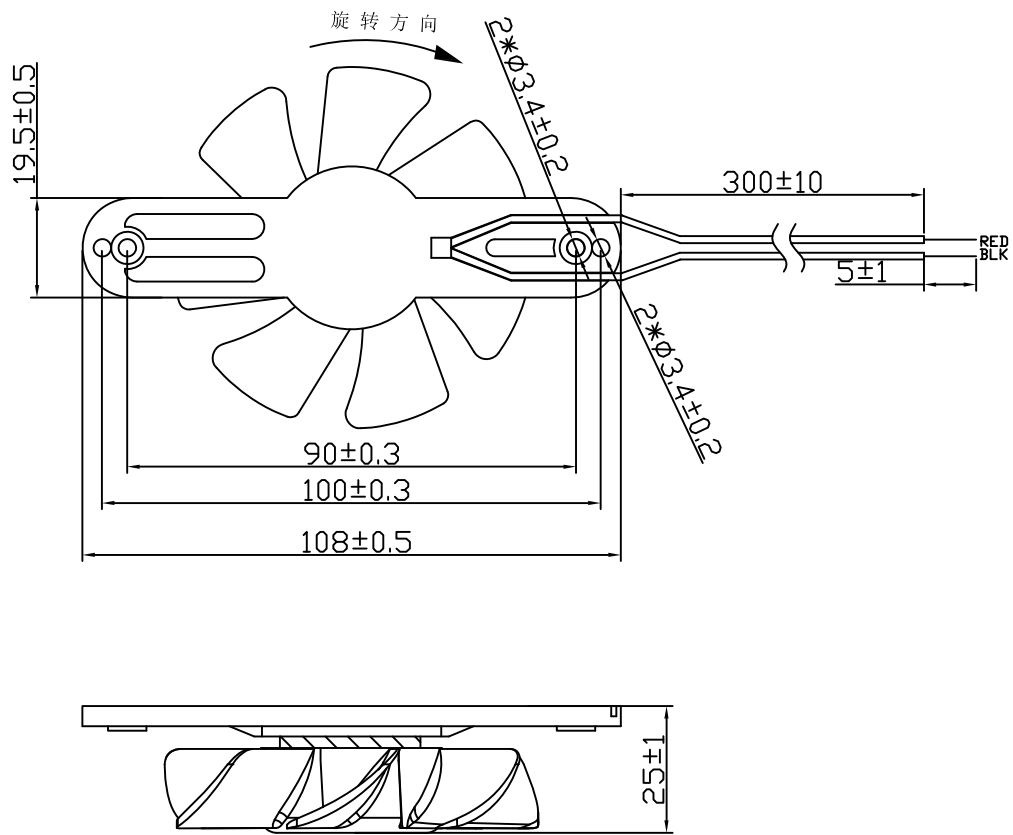
機 種

Model No.

版 本

REV:

A



確認 [APPROVED]

甘代军

審核 [CHECKED]

林文粘

繪圖 [DRAWN]

段春艳

日期 [DATE]

2016年10月11日

規格承認書

SPECIFICATION APPROVAL SHEET

A. 一般規格 (General Specification)

項目(Item)		規格/條件(Specification/Condition)	
A-1	型號(Part No.)		
A-2	額定電壓(Rating Voltage)	DC 12V	
A-3	電壓範圍(Voltage Range)	DC6.5V~DC 13.8V	
A-4	起動電壓(Starting Voltage)	≤6.5V(ON/OFF)	
A-5	安規標籤電流(Safty Label Current)		
A-6	穩定工作電流(Steady Working Current)	0.26A±15%	a.額定電壓(Rating Voltage) b.Test after 5 MIN
A-7	消耗功率(Power Consumption)	3.12W±15%	
A-8	穩定後轉速(Steady Speed)	3200±10%R.P.M a. 25°C, 65% RH b.自由空氣(Free Air) c.額定電壓(Rating Voltage) d.Test after 5 MIN	
A-9	噪音(Noise)	Normal 29dB(A)	Max 34dB(A) a.額定電壓(Rating Voltage) b.無響室測試(Measured in a Acoustic room) c.CNS 8753標準(Standard) d.ISO 3744測試條件(Test Condition) e.測試距離1m(Test distance 1m from intake) f.Test after 5 MIN
A-10	壽命(Life Expectancy)	30000 Hrs a.額定電壓(Rating Voltage) b.實際環境溫度25°C (Actual environment temperature25°C)	
A-11	極數(No. of Polar)	4極(Polar)	
A-12	運轉方向(Rotating Direction)	從扇葉面看, 逆時針運轉(Counter-Clockwise view from impeller side)	

B. 電氣規格(Electrical Specification)

項 目(Item)		規 格/條 件(Specirication/Condition)
B-1	扇叶鎖住保護 (Locked Rotor Protection)	鎖住扇葉後,保持鎖定電流2小時,馬達不會死掉。 (Impedance of motor winding protects motor from fire in 2 hours of locked rotor condition at the rated voltage.)
B-2	極性保護(Polarity Protection)	Vcc與GND反接時,10秒內線路不燒壞。 (Circuit is protected when Vcc & GND are exchanged,the circuit won't be burned mithin 10seconds)
B-3	絕緣阻抗 (Insulation Resistance)	10MΩ/裸線與外框間測量,500VDC/min. (10MΩ/b/w unshielded wire and frame at 500 VDC/min)
B-4	絕緣耐壓 (Dielectric Strengt)	5mA Max./導線與外框間測量,500VAC/min. (5mA Max./Measured b/w lead wire (+) and frame at 500VAC/min)

C.主要材料/零件規格(Main Materials/Parts Specification)

材料/零件(Materials/Parts)		規格(Specification)
C-1	塑膠材料/扇葉、外框 (Plastic Material/Blade,Housing)	PBT with glass fiber 94V-0
C-2	滾珠軸承/含油軸承/液壓含油軸承 (Ball Bearing/Sleeve Bearing/HYB)	含油軸承 (Sleeve Bearing)
C-3	導線(Lead Wire)	UL 1007, 24/26AWG,(+)Red, (-)Black
C-4	端子(Connector)	

D.安規/環保(Safty Approvals/Rohs)

D-1	安規 (Safty Approvals)	
D-2	環保標準 (ROHS compliant)	ROHS 2.0

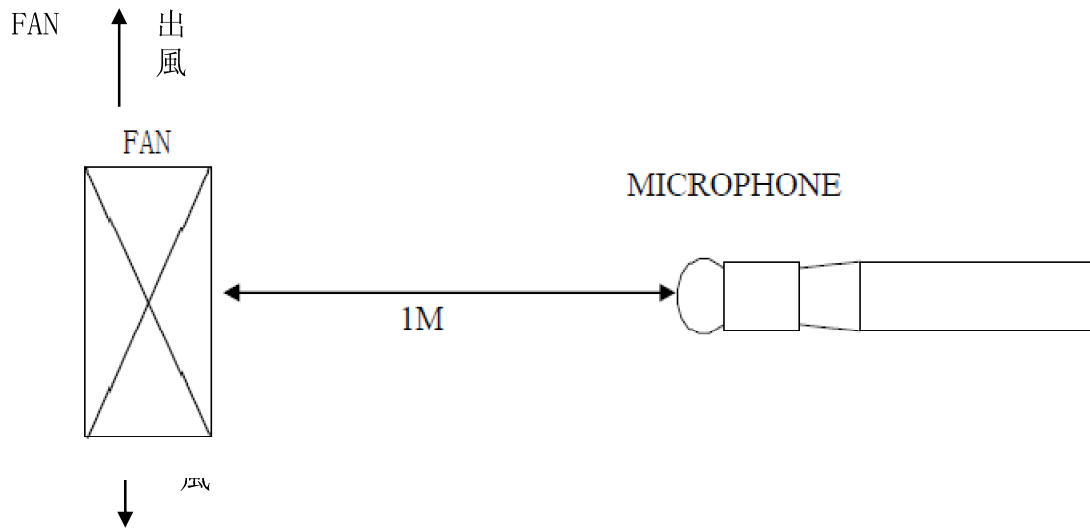
E.環境測試(Environmental Specification)

項目(Item)		規格/條件(Specification/Condition)
E-1	運轉溫/濕度範圍 (Operating Temp./Humidity Range)	溫度/Temperature:-10°C~55°C 濕度/Humidity:35%~85% RH
E-2	保存溫/濕度 (Storage Temp./Humidity) 不使用時間範圍(Don't Use To Keep The Time Range)	溫度/Temperature:-10°C~70°C 濕度/Humidity:35%~85% RH 時間/Times:One Year

F.商標(Label Marking)

F-1	型號(Model No.)
F-2	額定電壓(Rating Voltage)
F-3	標籤電流(Label Current)
F-4	品牌(Brand)
F-5	

G. NOTE:NOISE TEST CONDITION.



NOISE IS MEASURED AT RATE SPEED
IN ACOUSTIC CHAMBER WITH B&K
SOUND LEVEL METER.

BACKGROUND NOISE:MAX 18dB(A).