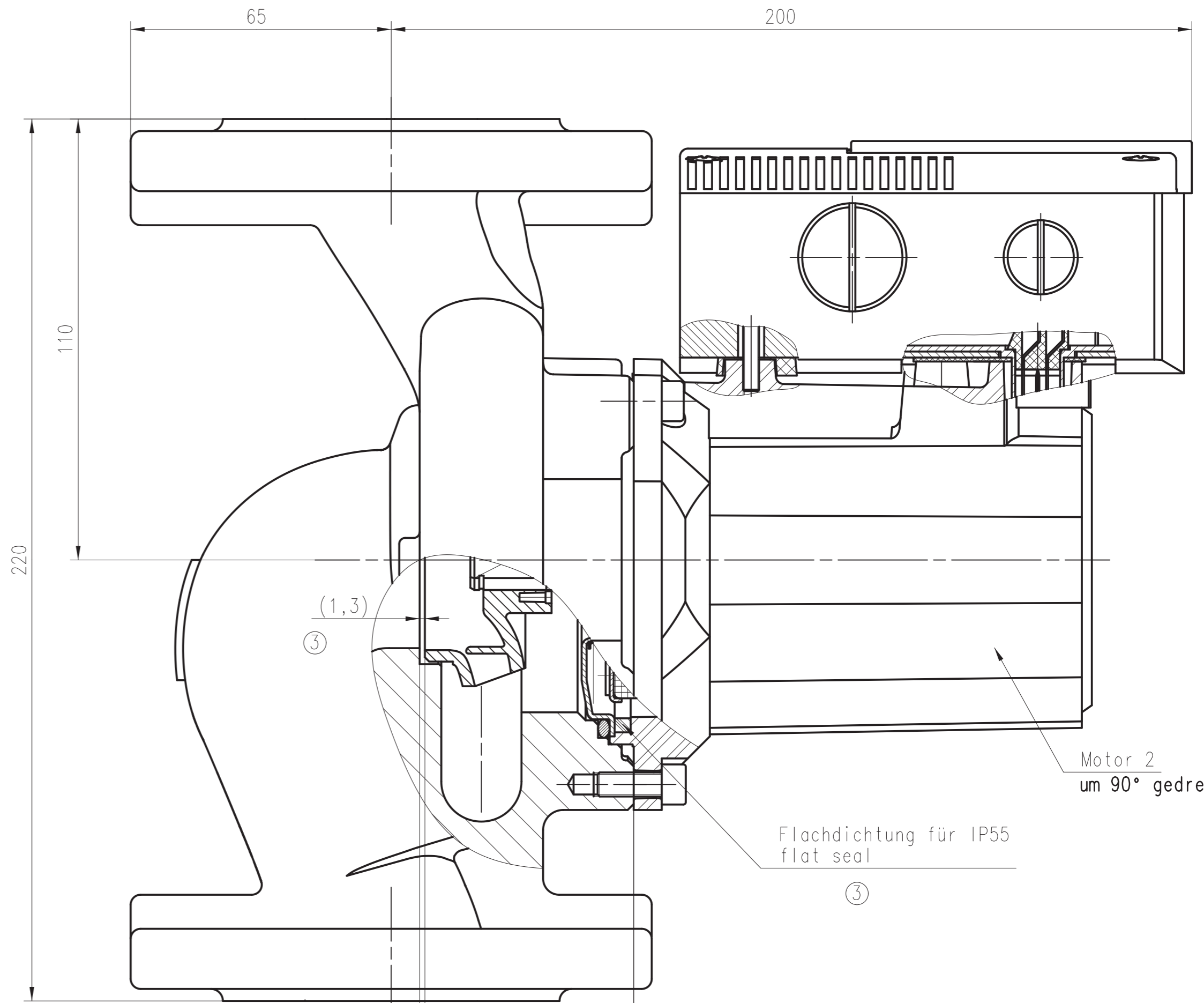


Kondensator/ Capacitor 20µF 280VDB
for TOP-S40/4 EM 115V
Kondensator/ Capacitor 5µF 470VDB
for TOP-S40/4 EM 220V



Motor 2
um 90° gedreht

Flachdichtung für IP55
flat seal

Zeichnungszuordnung/drawing assignment

TOP-S 40/4 DM 220/440V 50/60Hz OIL IP55	Art.-Nr. 2111845
TOP-S 40/4 EM 115V 60Hz OIL IP55	Art.-Nr. 2117036
TOP-S 40/4 EM 220V 60Hz OIL IP55	Art.-Nr. 2117035

Ausführung:
IP 55, PN 6/10 Kombiflansch, Alu-Klemmkasten, Kartusche mit Edelstahlrahtgeflechtfilter,
Motorschutz mit integriertem WSK, Motorisolation Klasse H, Oelausführung (medienberührte Dichtungen aus Viton),
die EM- Variante mit außenliegendem Kondensator

Technical specification:
IP 55, PN 6/10 Combiflange, Alu-terminal box, cartridge with stainless steel wire filter,
motor protection with integrated WPC, motor isolation class H,
oil-version (gaskets with contact to the medium made from Viton), EM -Version with outboard capacitor

DRAWING ADJUSTMENTS TO SUIT INJECTION, CASTING AND STAMPING TOOLING POSSIBLE. ATTEND TO CURRENT DRAWING INDEX!			RAW MATERIAL NUMBER:	
STANDARDS VALID FOR / REFERENCED ON DRAWING:				
WEIGHT:	UNIT: mm	DRAWING SIZE: A2	DIMENSIONS WITHOUT TOLERANCE INDICATION: DIN ISO 2768-mH	SPECIFICATIONS FOR SURFACES: DIN ISO 1302
			MATERIAL: z	SCALE: 1:1
			DESIGNATION: SZ. TOP-S40/4 PN6/10 Al.KK. 3h OIL IP55 sectional drawing	
01 101112 12.04.10 Adler			REPLACEMENT FOR:	
02 101334 2010-12-13 Grossmann			NUMBER, INDEX:	PAGE: 1/1
03 151248 2015-07-14 Inojatov			2111845.03	
IND. TN NO. DATE NAME SIGN.				
RELEASE: 2015-07-14 Inojatov				



COMMUNICATION, USE, ADAPTATION AND COPY FORBIDDEN WITHOUT ANY WRITTEN AUTHORIZATION.