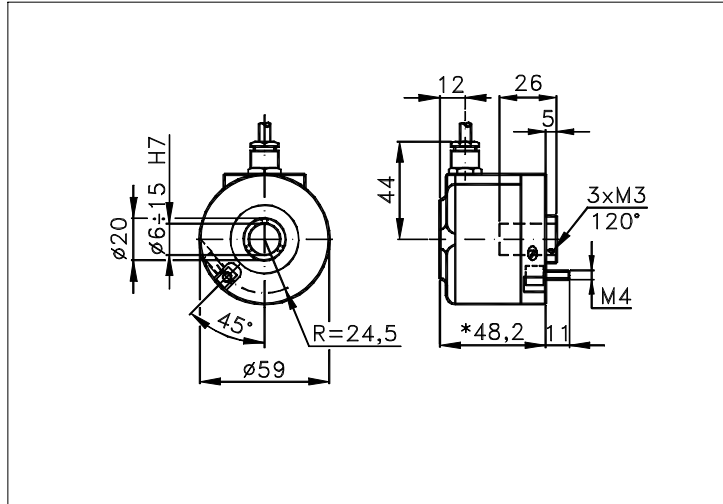


Sized draw standard version: CV R Measures without tolerance according to UNI ISO 2768-mk  
Max joint compensation: axial ± 0,2mm, radial ± 0,05mm, angular ± 1°



\* 58 FOR PULS.> 2500. AND 'L', 'M', 'D' ELECTRONICS.

**TECHNICAL FEATURES AND POSSIBLE CONFIGURATIONS**

- |  |  |
|--|--|
| - Base.....: ANODIZED ALUMINIUM (*)                      | - Ball bearings life...: 1,5 x 10 <sup>9</sup> revolutions |
| - Cover.....: VALOX 420 (*)                              | - Impact resistance....: 50 G x 11ms                       |
| - Weight.....: 290 g                                     | - Vibration resistance..: 12 G (10 ÷ 2000 Hz)              |
| - Shaft.....: Ø 6+15 HOLLOW STAINLESS.ST (*)             | - Power supply.....: 5÷30V (see page 2)                    |
| - Max.rad/axial load.: 6 kg                              | - Operating temperature: 0 ÷ 70 °C (*)                     |
| - IP output side.(°): see 'CONNECTION' of page 2         | - Storage temperature...: -30 ÷ 85 °C                      |
| - IP shaft side.(°):> std. 65   sealed 66   low torq. 53 | - N° of pulses/rev.....: 1 ÷ 25000                         |
| opt. type (page 2):> standard   Z   B                    | - Max frequency.....: 100 kHz (300 option)                 |
| - Contin. max RPM(**):> 6000   3000   8000               | - Max consumptions mA...: std 120 line driver 180 (*)      |
| - Starting torque gcm> 60   90   25                      | - Light source.....: LED with >= 100000 h life             |

(°) IP according to CEI EN 60529, EN 60529, IEC 529

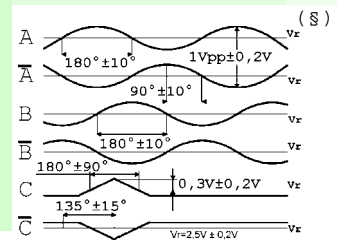
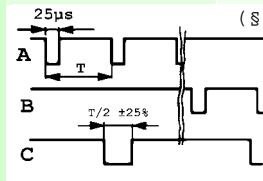
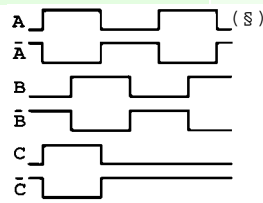
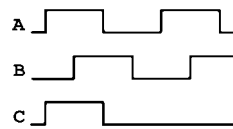
(\*) custom options

(\*\*) intermittent max RPM + 30% of continuous max RPM

**ELECTRONICS**

CODE	DESCRIPTION	mA	CODE	DESCRIPTION	mA	CODE	DESCRIPTION	mA	CODE	DESCRIPTION	mA
	STANDARD NPN	10	N	DRIVER 26LS31	30	D	DISCRIMINAT.	70	Y	SINUSOID. 1Vpp	10
K	NPN OPEN COLL	10	T	TTL 7404	10						
Q	NPN	70	C	DRIVER 88C30	20						
R	NPN OPEN COLL	70	L	2x PUSH-P.PRO	70						
P	PNP	70	M	2x PUSH-PULL	70						
U	PNP OPEN COLL	70									
B	PUSH-PULL PRO	70									
H	PUSH-PULL	70									

(§) Clock-wise output rotation (see shaft).



Tolerance between phases ± 25°, symmetry ± 15°

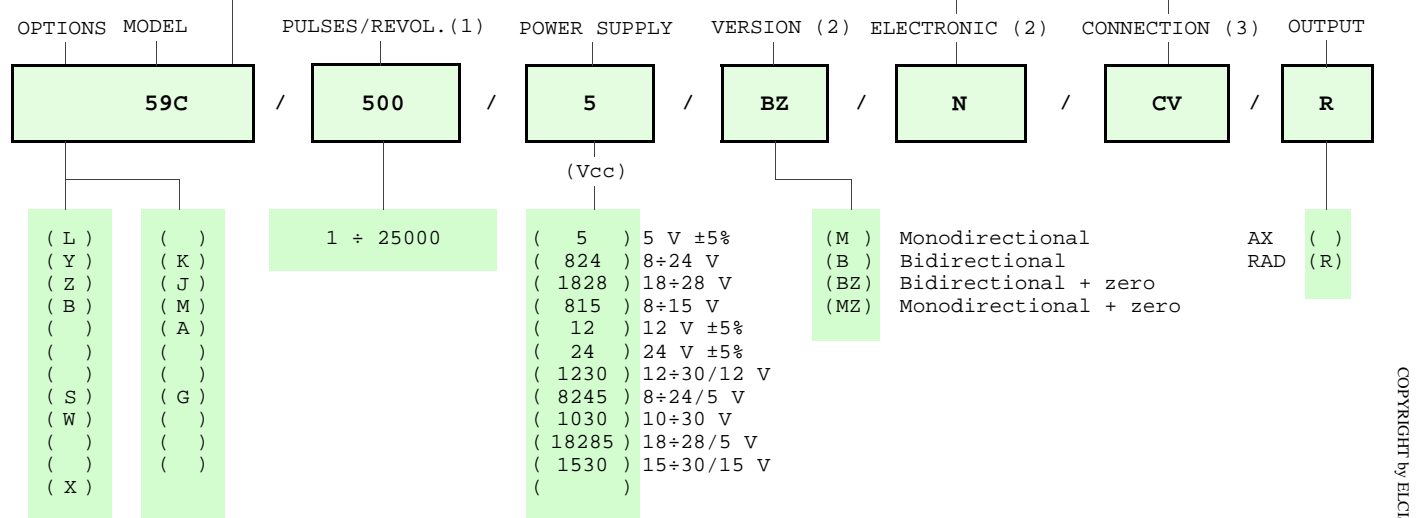
(§) Clock-wise output rotation (see shaft).

	ELCIS s.r.l. Via Rosa Luxembourg 12/14 10093 COLLEGNO (TO) ITALY Phone: +39 011 715577/78 a.r. MAIL: ELCIS s.r.l. P.O.Box 43 10093 COLLEGNO (TO) ITALY	* <a href="http://www.elcis.com">http://www.elcis.com</a> * e-mail: <a href="mailto:info@elcis.com">info@elcis.com</a> * Fax: +39 011 712613
		FEMA ELECTRÓNICA, S.A. Altimira 14 - Pol.Ind.Santiga 08210 Barberà del Vallès - BARCELONA - SPAIN

POSSIBLE OPTIONS				POSSIBLE CONNECTIONS								
CODE	DESCRIPTION	CODE	DESCRIPTION									
L	Low temperature	K	Invert. phase A,B,Zero.	CABLE								
Y	Unbreakable disk	J	Zero logic combination	CV				OUTPUT: AX RAD				
Z	Sealed ball bearing	M	Impregnated electronic	CONNECTOR				OUTPUT:				
B	Low torque ball bear.	A	High temperature		CH	CH5		AX RAD				
					CH6							
S	160 KHz frequency	G	Tropicalization	CABLE END CONNECTOR				OUTPUT:				
W	300 KHz frequency			VM	TM	VL	TL	VD	VH	VH5	VI	AX
				VE	VK	TK	VN	VH6	VM5	VM9	VS	RAD
X	Custom options			VD5								
				TERMINAL BOX				OUTPUT:				

**ORDERING INFORMATION**



POSSIBLE HOLLOW Ø	STANDARD NPN	CABLE	CONNECTOR	CABLE END CONNECTOR
( 6 ) Ø 6	( K ) NPN OPEN COLL	IP65		IP65 encoder output
( 8 ) Ø 8	( Q ) NPN	( CV ) 1 m long	( )	( VM ) 7c normal
( 10 ) Ø 10	( R ) NPN OPEN COLL	( )	( )	( TM ) 7c sealed
( 12 ) Ø 12	( P ) PNP	( )	( )	( VL ) 10c normal
( 15 ) Ø 15	( U ) PNP OPEN COLL	( )	( )	( TL ) 10c sealed
( n ) Ø n upon requ.	( B ) PUSH-PULL PRO			( VD ) 9c
( )	( H ) PUSH-PULL	TERMINAL BOX	( CH ) 12c ccw	( VH ) 12c anticlock.
( )	( N ) DRIVER 26LS31	IP00	( CH5 ) 12c cw	( VH5 ) 12c clock-wise
( )	( T ) TTL 7404		( )	( VI ) 12c crimped
( )	( C ) DRIVER 88C30		( )	( VE ) 5c
( )	( L ) 2x PUSH-P.PRO		( )	( VK ) 17c normal
( )	( M ) 2x PUSH-PULL		( )	( TK ) 17c sealed
( )	( D ) DISCRIMINAT.		( )	( VN ) 12c
( )	( Y ) SINUSOID.1Vpp		( CH6 ) 12c cw	( VH6 ) 12c clock-wise
( )	( X ) CUSTOM OPTION		( )	( VM5 ) 26c
( )				( VM9 ) 16c
( )				( VS ) 12c
( )				( VD5 ) 9c screened



NOTE: FOR 88C30 MAX 15 Vdc

Product manufactured according to UNI EN ISO 9001:2000, supplied with CHECKING and CONFORMITY declaration with CE mark and with TWO (2) YEARS WARRANTY starting from delivery date.

- (1) For further information see PULSES/REVOL. data sheet
- (2) For further information see ELECTRONIC data sheet
- (3) For further information see CONNECTION data sheet

	ELCIS s.r.l. Via Rosa Luxembourg 12/14 10093 COLLEGNO (TO) ITALY Phone: +39 011 715577/78 a.r. MAIL: ELCIS s.r.l. P.O.Box 43 10093 COLLEGNO (TO) ITALY	* http://www.elcis.com * e-mail: info@elcis.com * Fax: +39 011 712613
		FEMA ELECTRÓNICA, S.A. Altimira 14 - Pol.Ind.Santiga 08210 Barberà del Vallès - BARCELONA - SPAIN

COPYRIGHT by ELCIS - Collegno (TO)