



SafetyNET p Connector RJ45s

Accessories



pilz

This document is the original document.

All rights to this documentation are reserved by Pilz GmbH & Co. KG. Copies may be made for internal purposes. Suggestions and comments for improving this documentation will be gratefully received.

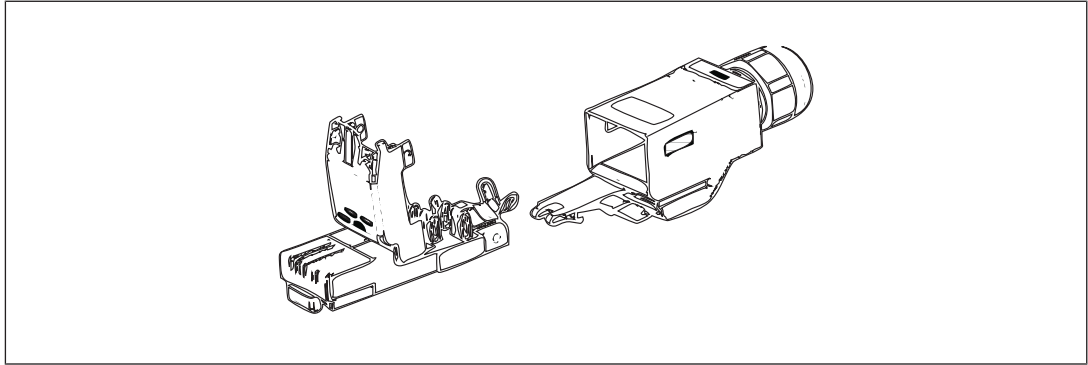
Pilz®, PIT®, PMI®, PNOZ®, Primo®, PSEN®, PSS®, PVIS®, SafetyBUS p®, SafetyEYE®, SafetyNET p®, the spirit of safety® are registered and protected trademarks of Pilz GmbH & Co. KG in some countries.



SD means Secure Digital

Plug-in connector RJ45

The RJ45 plug-in connector for Fast Ethernet can be assembled on site and is suitable for industrial automation and plant engineering. The plug-in connector is designed with quick-connect technology, enabling simple, time-saving installation.



Connector pin assignment




Fig. 1

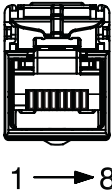


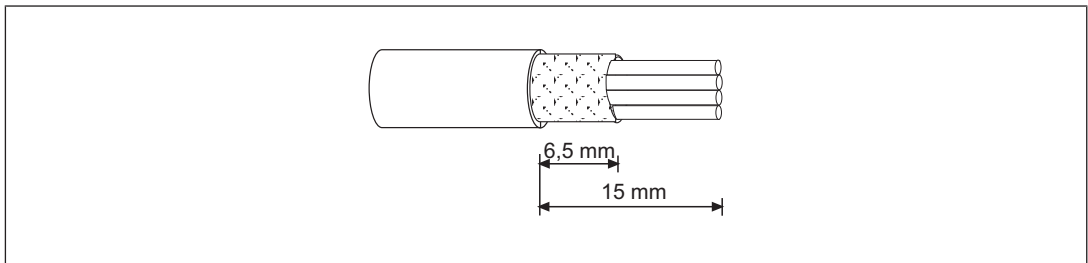
Fig. 2

1	A	yellow
2	C	orange
3	B	white
4		n.c.
5		n.c.
6	D	blue
7		n.c.
8		n.c.

Fig. 1: View from above

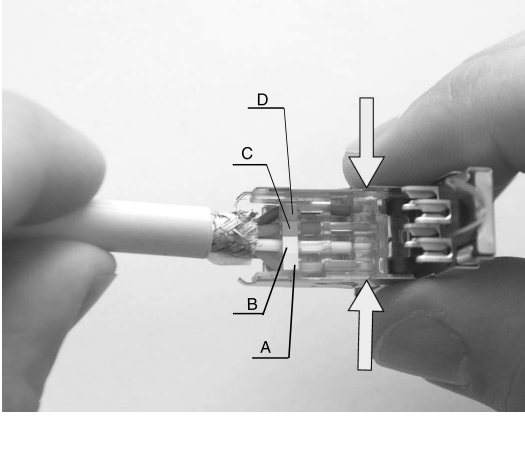
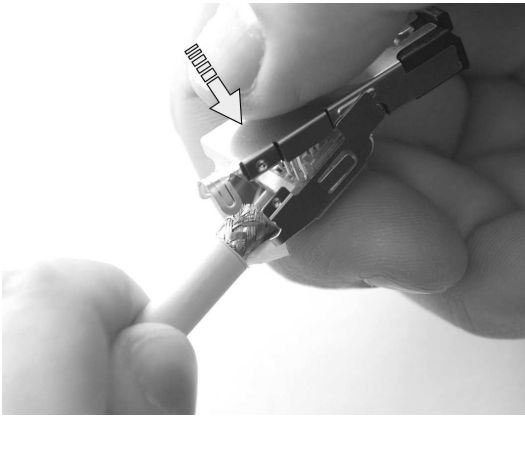
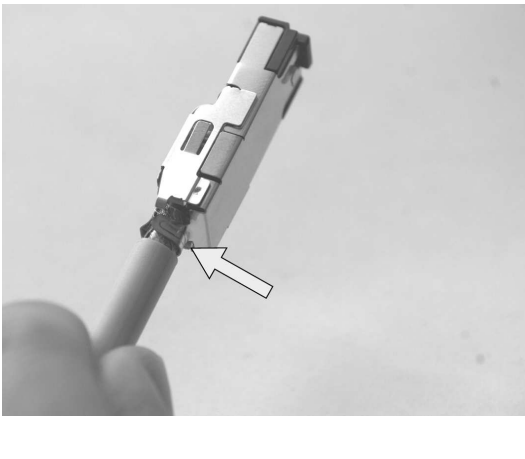
Fig. 2: View from front

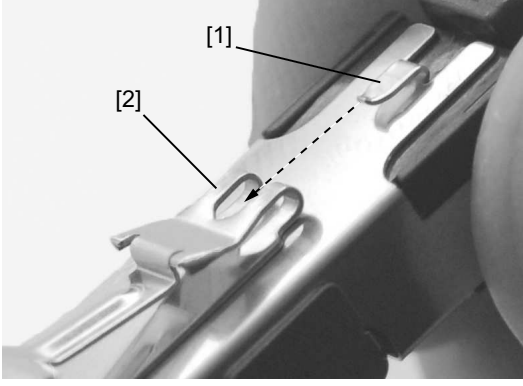
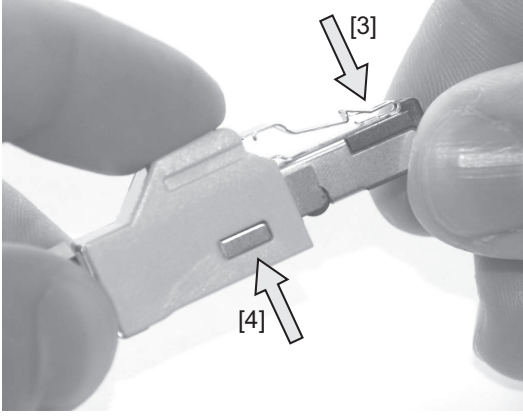
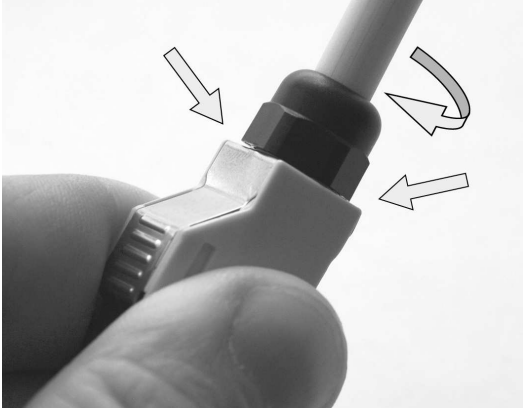
Recommended stripping length



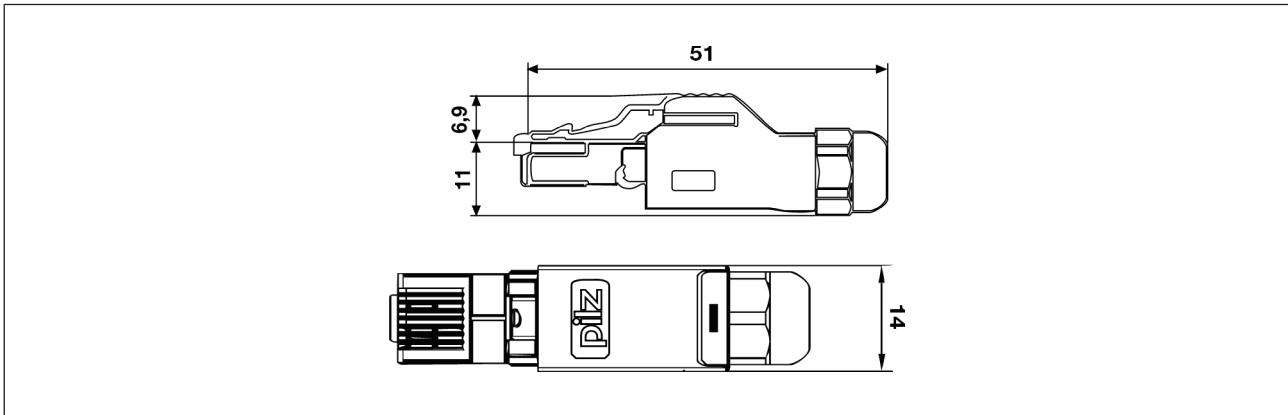
Assemble plug-in connector

<p>[1] Connector [2] Stripping tool [3] Cable</p>	<p>[1]: Connector [2]: Stripping tool [3]: Cable</p>
	<p>Guide the retaining nut and connector housing over the cable.</p>
	<p>It is essential to refer to the operating instructions enclosed with the stripping tool before using the tool.</p> <p>Remove the cable insulation and shorten the braided shield in accordance with the stripping length (see Recommended stripping length). The stripping tool has an end stop for the correct stripping length.</p>
	<p>Untwist the wires.</p>

	<p>Guide the individual wires into the terminals in accordance with the connector pin assignment (see Contact assignment). Make sure that the wires are inserted as far as they will go, otherwise there will not be a safe electrical connection to the connector contacts.</p>
	<p>Close the terminal block. Make sure that the terminal block is fully closed.</p>
	<p>Make sure that the shield is correctly seated.</p>

	<p>Connect the male insert [1] into the opening of the connector housing [2] and make sure that it clearly locks into position.</p>
	<p>Make sure that in addition to the locking element [3] (described above) also the element [4] clearly locks into position.</p>
	<p>Tighten up the retaining nut so that the spring element is also clamped.</p>

Dimensions



Technical details

General	
Approvals	None
Electrical data	
Rated voltage UB	24 V
Rated current	0,5 A
Environmental data	
Ambient temperature	
Temperature range	-40 - 70 °C
Storage temperature	
Temperature range	-40 - 80 °C
Protection type	
X1 when inserted	IP20
Mechanical data	
Plug connector X1	4-pin RJ45 male connector
In accordance with the standard	IEC 60603-7-1
Form, plug connector X1	Straight
Housing material X1	PC/PA 6
Material of contact surface X1	Au
Mating cycles X1	750
Material of shield surface cable K1	Ni
Max. cable diameter K1	6,30 - 6,70 mm
Cable category K1	Cat5e
Colour housing	Signal yellow, RAL1003
Max. conductor cross section K1	0,75 mm ²
Max. conductor cross section AWG K1	22
Weight	10 g

Order reference

Product type	Features	Order no.
SafetyNET p Connector RJ45 straight	1 set	380 400
Stripping tool	Stripping tool for SafetyNET p cable, 1 set	380 070
SafetyNET p Cable	4-core	380 000

► Support

Technical support is available from Pilz round the clock.

Americas

Brazil
+55 11 97569-2804
Canada
+1 888-315-PILZ (315-7459)
Mexico
+52 55 5572 1300
USA (toll-free)
+1 877-PILZUSA (745-9872)

Asia

China
+86 21 60880878-216
Japan
+81 45 471-2281
South Korea
+82 31 450 0680

Australia

+61 3 95446300

Europe

Austria
+43 1 7986263-0
Belgium, Luxembourg
+32 9 3217575
France
+33 3 88104000
Germany
+49 711 3409-444
Ireland
+353 21 4804983
Italy
+39 0362 1826711

Scandinavia

+45 74436332

Spain

+34 938497433

Switzerland

+41 62 88979-30

The Netherlands

+31 347 320477

Turkey

+90 216 5775552

United Kingdom

+44 1536 462203

You can reach our international hotline on:

+49 711 3409-444

support@pilz.com

Pilz develops environmentally-friendly products using ecological materials and energy-saving technologies. Offices and production facilities are ecologically designed, environmentally-aware and energy-saving. So Pilz offers sustainability, plus the security of using energy-efficient products and environmentally-friendly solutions.

The 4-fold safety of automation

COMPONENTS
SYSTEMS
SERVICES

Technical Ecological
Personal Economical

Energy saving by Pilz

BLUECOMPETENCE

Alliance Member

Partner of the Engineering Industry Sustainability Initiative



Pilz GmbH & Co. KG
Felix-Wankel-Straße 2
73760 Ostfildern, Germany
Tel.: +49 711 3409-0
Fax: +49 711 3409-133
info@pilz.com
www.pilz.com

pilz
the spirit of safety

CMSE, InduraNET p, PAS4000, PAScal, PASconfig, Pilz, PIT, PLID, PMCPrimo, PMCProtego, PMCTendo, PMD, PMI, PNOZ, Primo, PSEN, PSS, PVS, Safety SafetyYE, SafetyNET p, the spirit of safety, are registered and protected trademarks of Pilz GmbH & Co. KG in some countries. We would point out that product features may vary from the details stated in this document, depending on the status at the time of publication and the scope of the equipment. We accept no responsibility for the validity, accuracy and entirety of the text and graphics presented in this information. Please contact our Technical Support if you have any questions.