

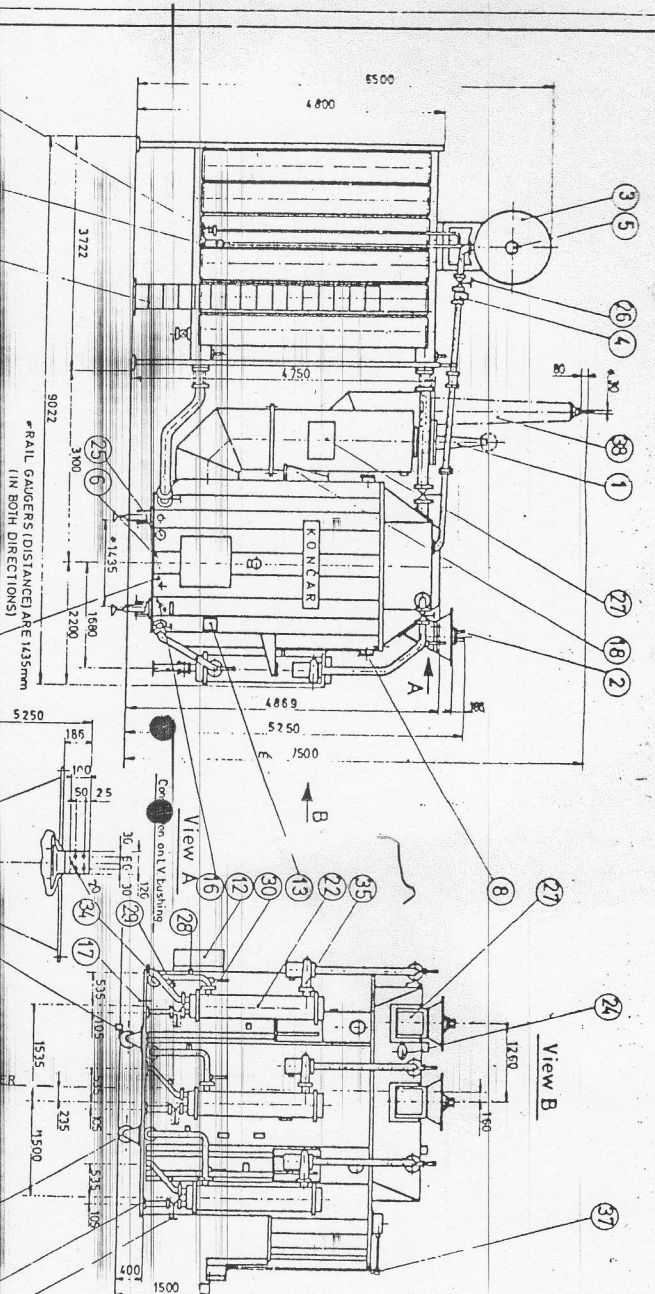
TECHNICAL DATA AND DESCRIPTION

TECHNICAL DATA

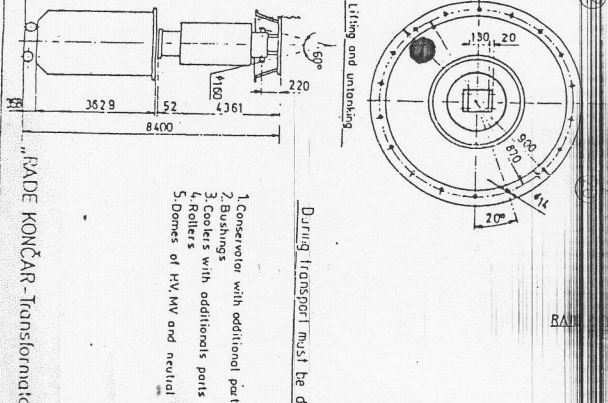
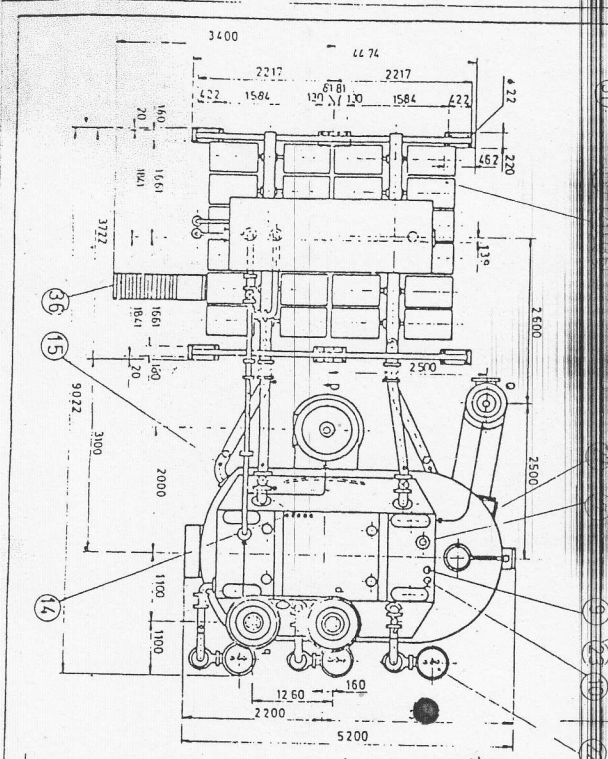
- Type ..... 1 MBV 85,300-420s
  - Single phase
  - Oil immersed
- Manufacturer ..... Rade Koncar
- Standard ..... IEC 76/76, NEMA
- Vector Group of Transformer ..... I 1 0
- Vector Group of Three Phase Bank ..... YNd11
- Frequency ..... 50 Hz
- Number of Windings ..... 2
- Noise Level ..... 83dB
- Rated Power ..... 85,300 kVA ✓
- Rated Voltage
  - H.V. Winding ..... 400000 V
  - L.V. Winding ..... 15750 V
- Voltage Variation  
(off load on H.V. side)..... ± 3x2.5%
- System Highest Voltage
  - H.V. side ..... 420 s
  - L.V. side ..... 17.5
  - H.V.N. side ..... 245 s
- Power Frequency Withstand Voltage
  - H.V. side ..... 570 kVrms
  - L.V. side ..... 38 kVrms
  - H.V.N. side ..... 275 kVrms
- Lighting Impulse Withstand Voltage
  - H.V. side ..... 1425 kV
  - L.V. side ..... 110 kV
  - H.V.N. side ..... 900 kV

- No Load Losses ..... 68 kW+15% tol.
- Load Losses ..... 205 kW+15% tol.
- Aux.Equip.Losses ..... 4.8 kW
- Impedance Voltage ..... 13%  $\pm$  10% tol.
- Type of Cooling ..... ONAN UP TO 70%  
OPWF
- Winding Temp.Rise ..... 55.K
- Oil Temp.Rise ..... 45 K
- Auxiliary Voltage Supply ..... 220/380 V
- Total Mass ..... 135,000 kg
- Oil Mass ..... 40,000 kg

CVE



- 1 HV-bushing
- 2 LV-bushing
- 3 Oil conservator
- 4 Buchholz relay
- 5 Magnetic type of indicator (with two contacts)
- 6 Green plug
- 7 Pressure relief device
- 8 Transformer lifting hooks
- 9 Vacuuming equipment connection valve DN40 NPN
- 10 Oil purifier equipment connection valve DN40 NPN
- 11 Dehydrating breather
- 12 Control cabinet of oil pump and special equipment
- 13 Rating plate
- 14 Oil contact thermometer (instrument and bulb)
- 15 Reserve
- 16 Oil sampling valves
- 17 Jacking eyes
- 18 Jacking point
- 19 Rollers
- 20 Roller blocking device
- 21 Cores (ONAN)
- 22 Cores (OFWF)
- 23 Transformer earthing screw
- 24 Current transformer terminals
- 25 Quick oil draining DN100 NPN
- 26 Valve DN80 NPN
- 27 Handhole
- 28 Oil flow indicator - type CM
- 29 Water flow indicator - type CM
- 30 Thermometric pocket - type CM
- 31 Conservator oil filling and oil draining pipeline with the valve DN40 NPN
- 32 Automatic valve DN65 NPN
- 33 Water inlet MW65 NPN
- 34 Water outlet MW125 NPN
- 35 Transformer oil circulation pumps
- 36 Ladder
- 37 Oil load tap changer
- 38 Neutral bushing



A transport drawing N°105191

Type 1MBV 65300-4205

1-PHASE GENERATOR TRANSFORMER			
Rated power	Rated power	Rated power	Rated power
HV LV	HV LV	HV LV	HV LV
653	05.3	4000/3	1575
kV			
110 1500			
13.25-17			
38 120			
50			
13			
40			
135			

REPUBLIC OF IRAQ

MINISTRY OF IRIGATION

STATE ORGANIZATION OF DAMS

HADITHA DAM PROJECT

HYDROPOWER STATION CONTRACT 178

CONSULTING FIRM

CONTRACTOR

HYDROGRADUČKO INŽINJERSTVO ZA PROJEKTOVANJE I IZVEDBU INŽENJERSKI PROJEKTI

RADE KONČAR ZAOPREMAVA ZA VEŠTAČENJE I PROJEKTOVANJE

Outline Drawing

DATE 1.10.51.9.01

RADE KONČAR - Transformatori - ZAGREB