

DG3/4VP-3 Subplate Mounted Model CVUA-6-PD- Cartridge Model



Solenoid operated poppet type directional valve

DG3/4VP-3 Subplate Mounted Model CVUA-6-PD- Cartridge Model

DG3VP-3, DG4VP-3, CVUA-6 20 design

Solenoid operated poppet type directional valve

DG3/4VP-3 Subplate Mounted Model CVUA-6-PD- Cartridge Model

Flow rating 40 l/min (11 gpm)

Pressure Rating 315bar (4500 psi)

Bidirectional seat-valve shut-off, direct acting

Description

- CVUA/DG3/4VP-3 operated directional seat valves size ISO4401 - 03.
- Direct acting, pressure balanced
- Gasket mounted or push-in cartridges.
- Normal condition (de-energised closed), flow is shut off without leakage.
- The core element operates on the tried and tested principle of the guided poppet, and the guide spool has a seal.
- Two different mounting versions are available, which allows the designer to choose the insertion depth
- These type valves are predominantly used in mobile and industry where leak-tight shut off functions are crucially important.
- Zinc Nickel plated for corrosion protection
- A "de-energised open" function can be created by using the 3/2 solenoid cartridge valve and the line-mounting body.
- In this case, ports 2 and 3 are used. Port 1 is plugged.
- Design bidirectional seat-valve shut-off, direct acting poppet and valve-spool design (pressure balanced)
- Tightening torque 5.2 Nm . 5 % (4 ft-lbs . 5 %)
- Size 6, cavity type AA or cavity type AB
- Weight 0.85 kg (1.9 lbs)

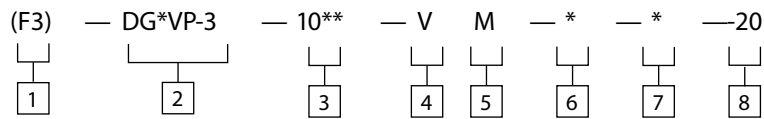
Technical data

- De-energised closed
- Guided valve spool and poppet
- Available in two mounting versions
- All exposed parts with zinc-nickel plating
- High pressure wet-armature solenoids
- The slip-on coil can be rotated, and it can be replaced without opening the hydraulic envelope
- Can be fitted in a line-mounting body trial applications where leak-tight shut-off functions are crucially important.
- Examples are where loads, tensions, or clamping forces must be held without leakage.
- All external parts of the cartridge are zinc-nickel plated to DIN 50979 and are thus suitable for use in the harshest operating environments.
- The slip-on coils can be replaced without opening the hydraulic envelope and can be positioned at any angle through 360°.

General characteristics	Description, value, unit
Designation	2/2 solenoid cartridge valve
Design	Bidirectional seat-valve shut-off, direct acting poppet and valve-spool design (pressure balanced)
Mounting method	Push-in cartridge, 4 mounting bolts M5 x 10
Tightening torque	5.2 Nm ± 5 % (4 ft-lbs ± 5 %)
Size	size 6, cavity type AA or cavity type AB
Weight	0.85 kg (1.9 lbs)
Mounting attitude	Unrestricted

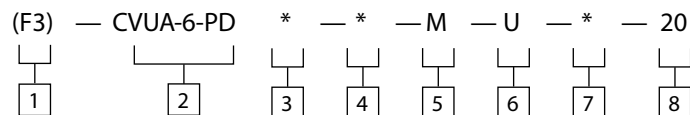
Coils available with DIN and Deutsch connectors





1	Seals F3 Viton seals Blank Nitrile seals
2	Function 3 Three-way 4 Four-way
3	Spool and spring arrangement 102A Normally open, spring offset, for DG3VP models 103A Normally closed, spring offset, for DG3VP models 104C Normally open, spring centered, for DG4VP models 105C Normally closed, spring centered, for DG4VP models
4	Solenoid identification Blank None V Solenoid "A" is at port "A" end and / or solenoid "B" is at port "B" end independent of spool type

5	Flag symbol M Electrical options and features.
6	Coil type U ISO4400, DIN43650 KUP5D3 Deutsch Connector H and G coils only
7	Coil rating B 110V AC 50Hz / 115V AC 60 Hz D 220V AC 50Hz / 230V AC 60Hz ED 240V AC 50Hz G 12V DC H 24V DC O 48V D Other voltages on request
8	Design number 20 series



1	Seals F3 Viton seals Blank Nitrile seals
2	Cartridge Valve Unit NG6
3	Mounting Flange Type N Narrow thickness flange W Wide thickness flange
4	Function 2 Two Way 3 Three Way
5	Flag symbol M Electrical options and features.

6	Coil type U ISO4400, DIN43650 KUP5D3 Deutsch Connector H and G coils only
7	Coil rating B 110V AC 50Hz / 115V AC 60 Hz D 220V AC 50Hz / 230V AC 60Hz ED 240V AC 50Hz G 12V DC H 24V DC O 48V DC Other voltages on request
8	Design number 20 series

Operating data

Spool options

Hydraulic characteristics		Electrical characteristics	
Description, value, unit		Description, value, unit	
Maximum operating pressure	...315bar (...4500 psi)	Supply voltage	12V DC, 24V DC / 115V AC, 230V AC (50...60Hz)
Maximum flow rate	40 l/min (11 gpm)	Supply voltage tolerance	±10%
Flow direction	1 → 2 / 2 → 1, see symbols	Ambient temperature range	-25°C ... +50°C (13 °F ... +122 °F)
Hydraulic fluid	HL and HLP mineral oil to DIN 51 524; for other fluids, please contact BUCHER	Nominal power consumption	W DC = 30...32 W / V AC = 31...32 W
Ambient temperature range 1)	-25°C ... +80°C (13 °F ... +176 °F)	Switching time	25 ... 170 ms (energising) 15 ... 70 ms (deenergising) These times are strongly influenced by fluid pressure, flow rate and viscosity, as well as by the dwell time under pressure.
Hydraulic fluid temperature range	-25°C ... +80°C (13 °F ... +176 °F)	Relative duty cycle	100%
Viscosity range	10...500mm ² /s (cSt), recommended 15...250mm ² /s (cSt)	Protection class to ISO20653 / EN60529	IP 65 / IP 67 / IP 69K, see "Ordering code" (with appropriate mating connector and proper fitting and sealing)
Minimum fluid cleanliness Cleanliness class to ISO 4406:1999	class 20/18/15	Electrical connection	DIN EN 175301-803, 3-pin 2 P+E (standard) for other connectors, see "Ordering code"

Functional symbols

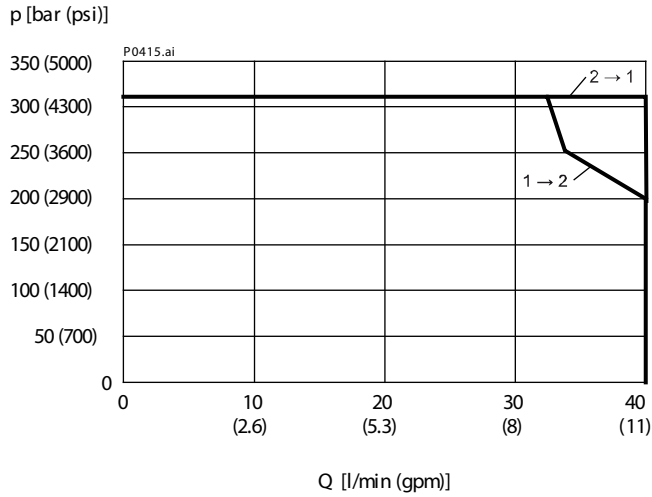
For electrical plugs see "installation dimensions" section.

For tool kits for CVUA Valves see "installation dimensions" section.

CVUA-6-PD*-2		CVUA-6-PD*-3		DG3VP-3-103A	
DG3VP-3-102A		DG4VP-3-104C			
DG4VP-3-105C		<p>Note: CVUA valves are supplied complete with mounting flanges and metric fixing bolts.</p> <ul style="list-style-type: none"> ▲ This spool position is achieved only when both solenoids are energized simultaneously and remain so. ⊘ No leakage in either direction ↕ Through flow in both directions 			

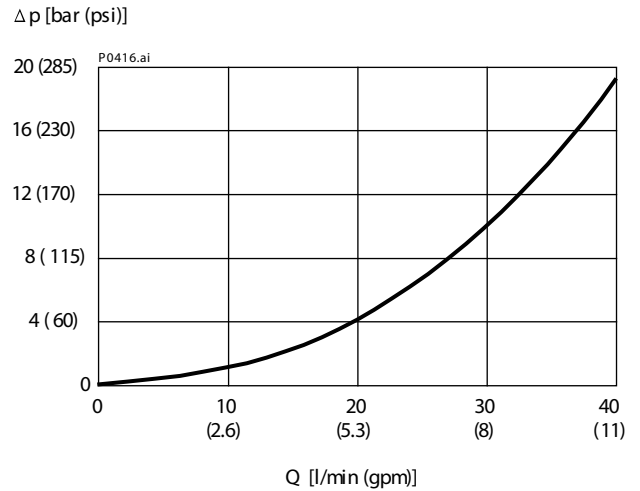
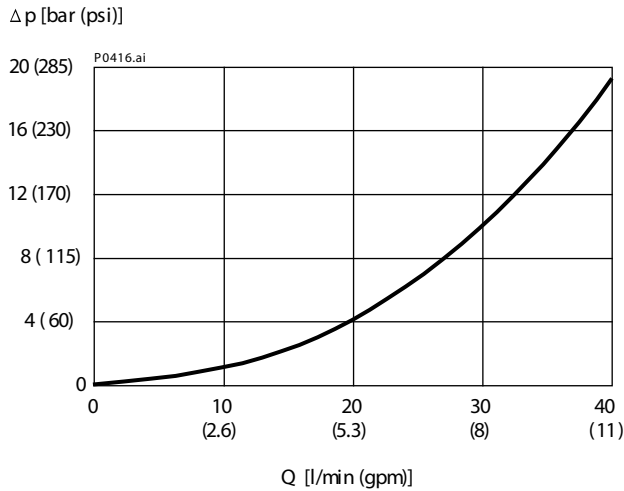
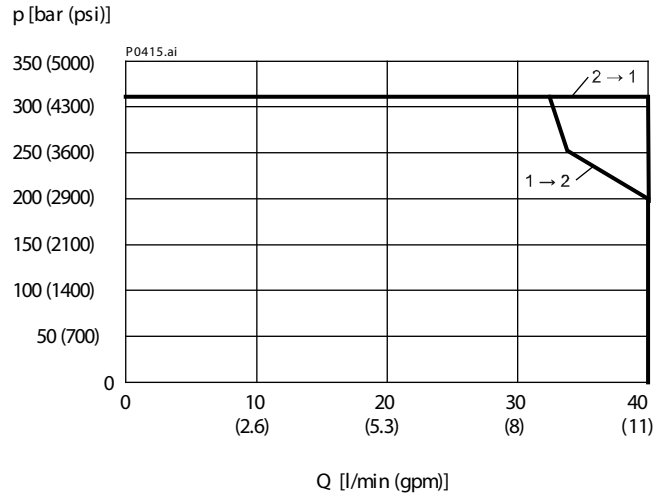
DG3/4VP-3

Measured with oil viscosity 33mm²/s (cSt), coil at steady-state temperature and 10 % undervoltage



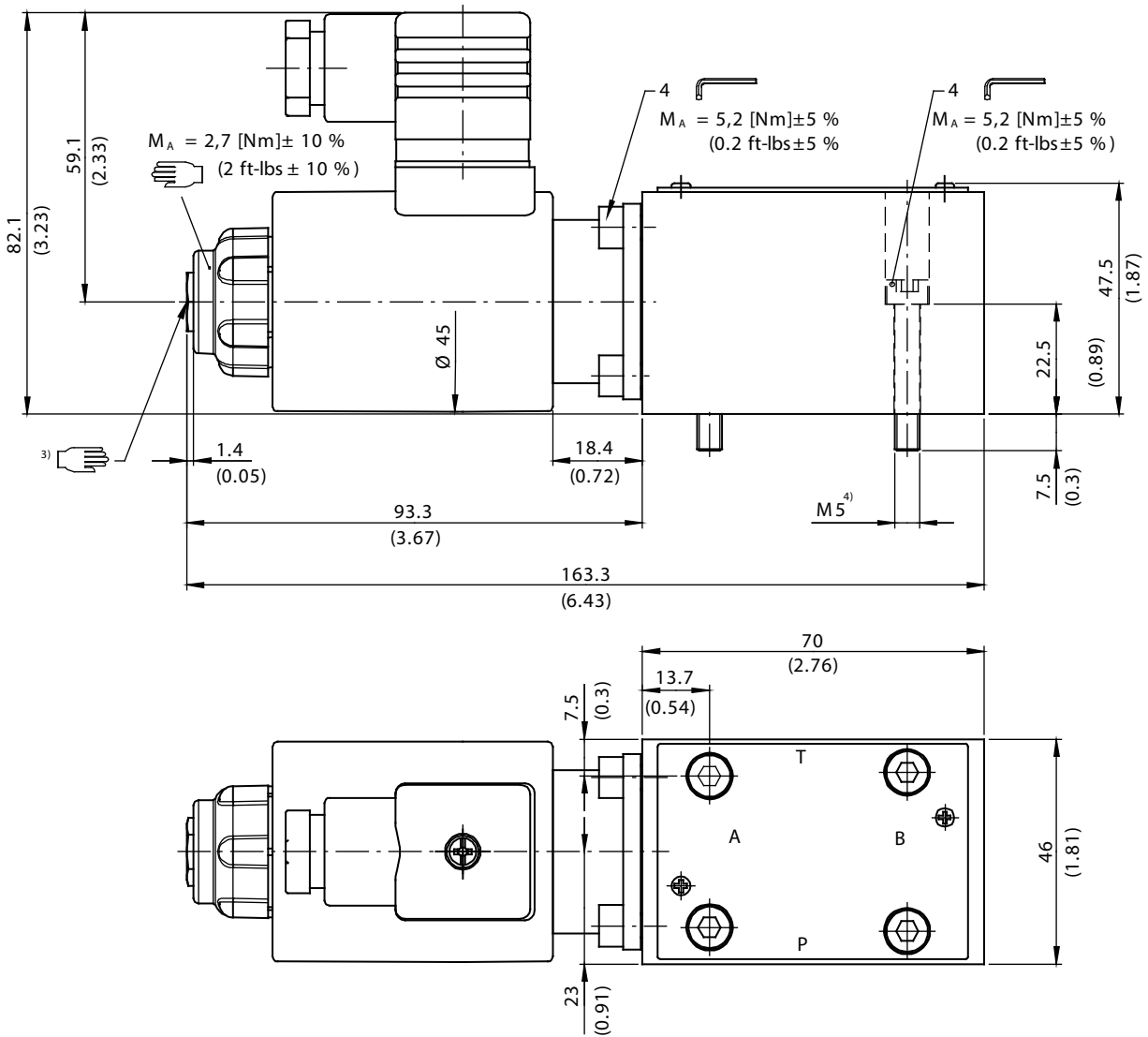
CVUA-6

Measured with oil viscosity 33mm²/s (cSt), coil at steady-state temperature and 10 % undervoltage

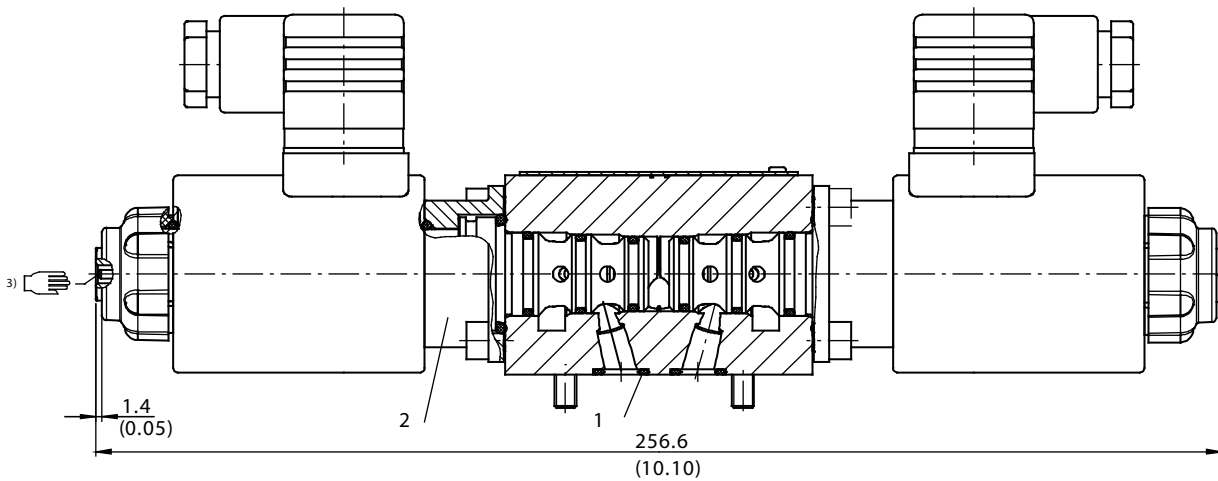


Installation dimensions

DG3VP-3

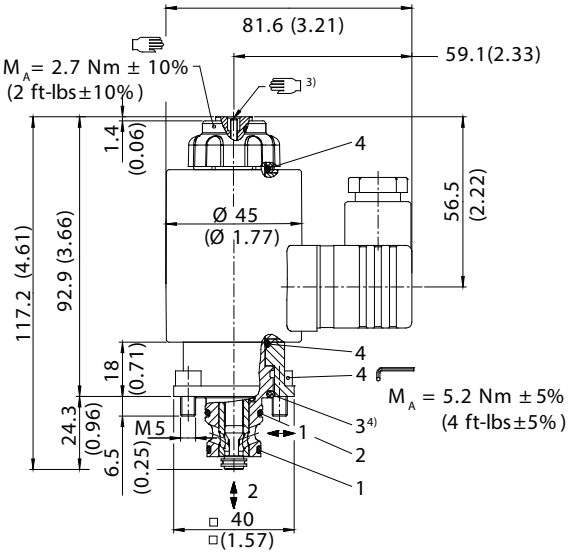


DG4VP-3

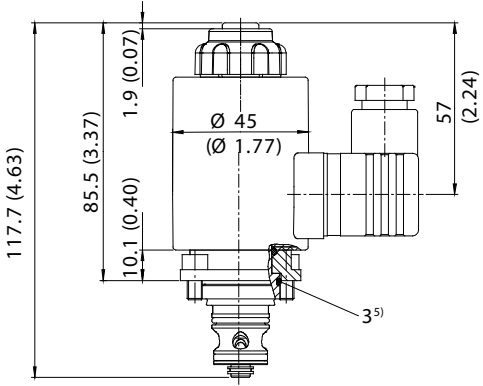


CVUA-6-PD*3

Shallow insertion model
CVUA-6-PDW3

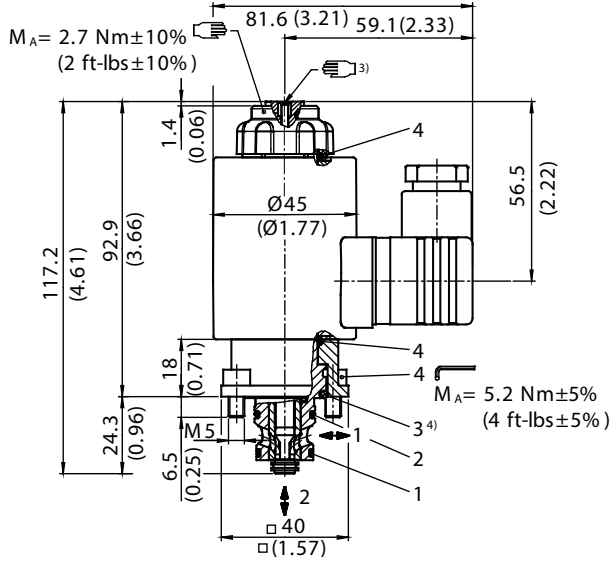


Deep insertion model
CVUA-6-PDN3

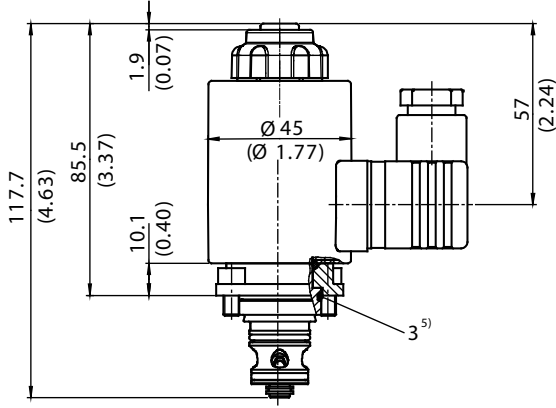


CVUA-6-PD*-2

Deep insertion model
CVUA-6-PDW2



Shallow insertion model
CVUA-6-PDW2



Recess dimensions

CVUA-6-PD*-2

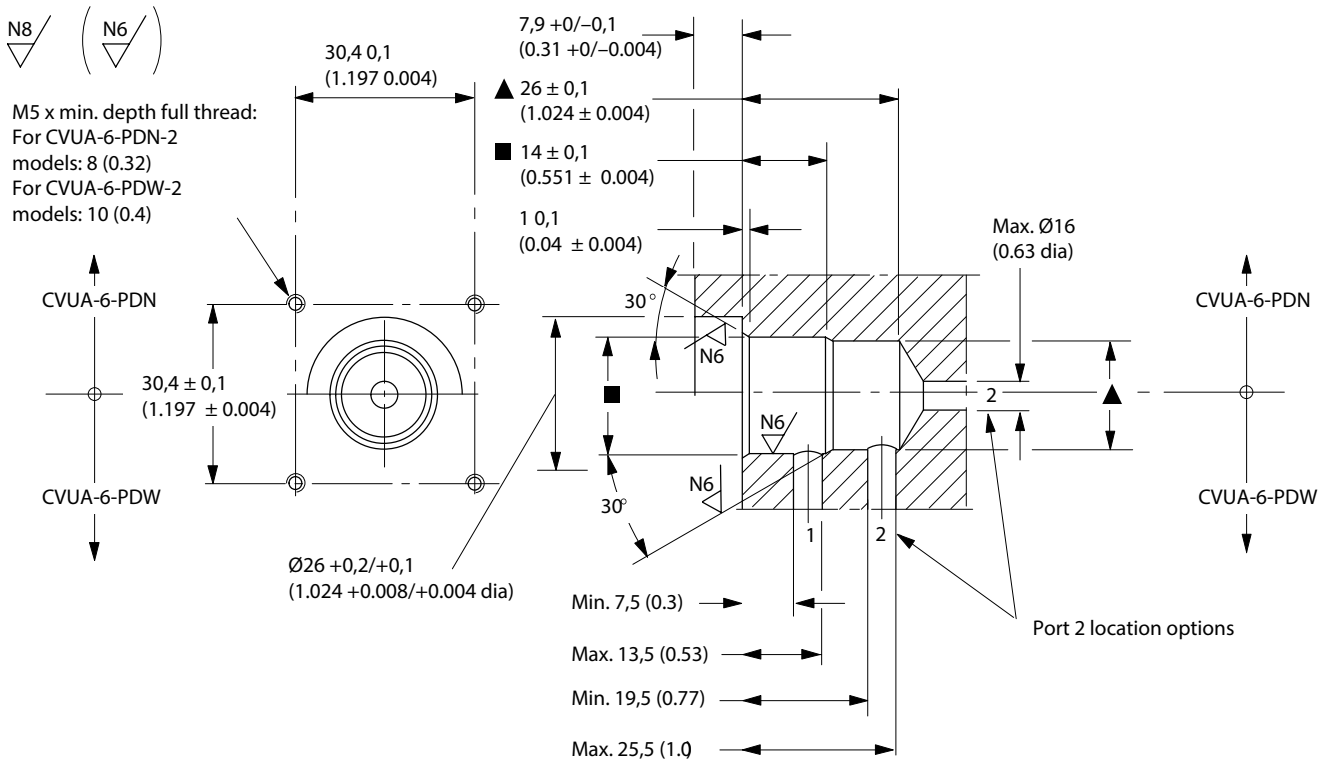
Recess Dimensions

Notes (metric dimensions)

- ▲ $\varnothing 18 +0/-0,2 \times 26 \pm 0,1$ deep: Ream $\varnothing 18$ H7 x 20 deep min.
- $\varnothing 19 +0/-0,2 \times 14 \pm 0,1$ deep: Ream $\varnothing 19$ H7 x 8 deep min.

Notes (inch dimensions)

- ▲ Diameter $0.709 +0/-0.008 \times 1.024 \pm 0.004$ deep: Ream $\varnothing 18$ mm H7 x 0.79 deep min.
- Diameter $0.748 +0/-0.008 \times 0.551 \pm 0.004$ deep: Ream $\varnothing 19$ mm H7 x 0.32 deep min.



◆ Tool kit 638692 for machining the $\varnothing 18$ mm and $\varnothing 19$ mm bores (and when required, the $\varnothing 26$ mm bore) can be ordered if required. The kit comprises a stepped drill and a stepped reamer.

Seal kits

- 6045235-001 Seal Kit for CVUA-6 10 and 20 Design
- 6045236-001 Seal Kit for F3-CVUA-6 10 and 20 Design
- 6045237-001 Seal kit for DG3/4VP-3 10 and 20 Design
- 6045238-001 Seal kit for F3-DG3/4VP-3 and 20 Design

CVUA-6-PD*-3

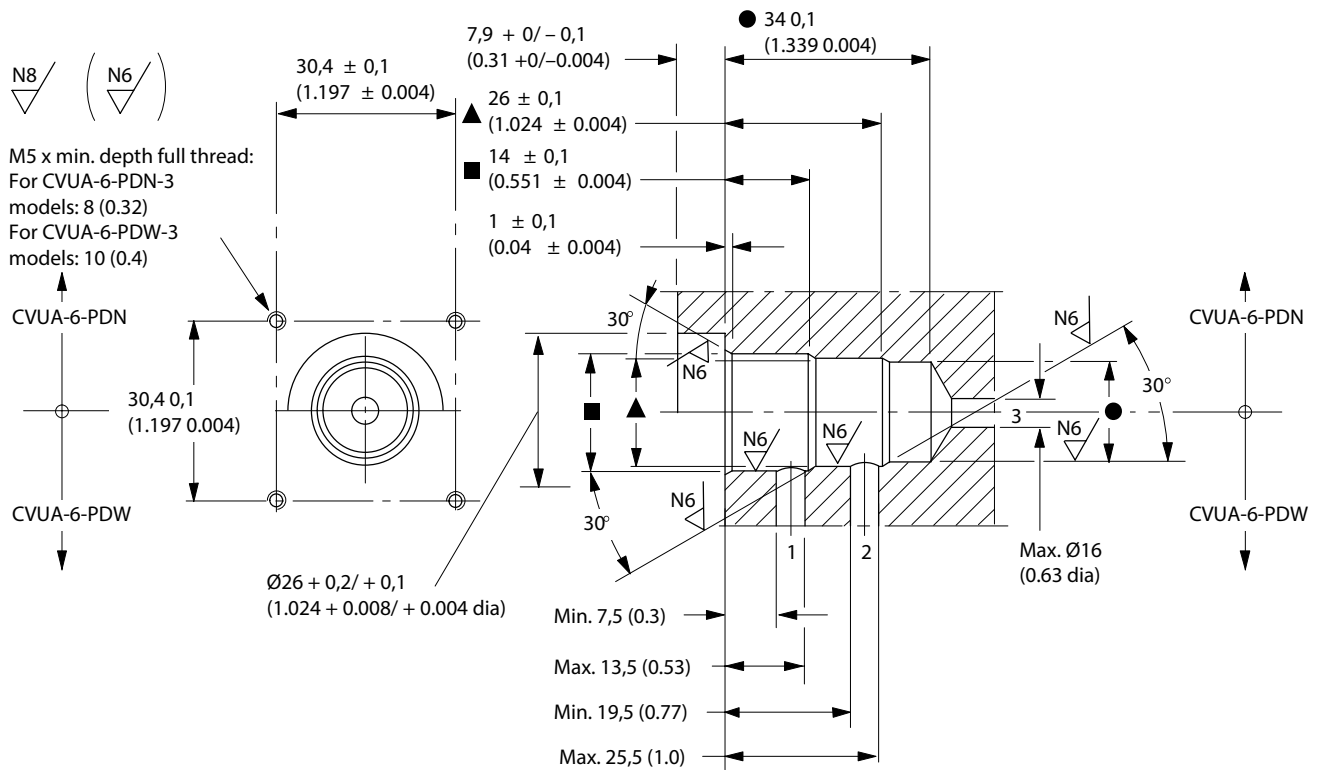
Recess Dimensions

Notes (metric dimensions)

- $\varnothing 17 +0/-0,2 \times 34 \pm 0,1$ deep: Ream $\varnothing 17$ H7 x 32,5 deep min. ◆
- ▲ $\varnothing 18 +0/-0,2 \times 26 \pm 0,1$ deep: Ream $\varnothing 18$ H7 x 20 deep min. ◆
- $\varnothing 19 +0/-0,2 \times 14 \pm 0,1$ deep: Ream $\varnothing 19$ H7 x 8 deep min. ◆

Notes (inch dimensions)

- Diameter $0.669 +0/-0.008 \times 1.339 \pm 0.004$ deep: Ream $\varnothing 17$ mm H7 x 1.28 deep min. ◆
- ▲ Diameter $0.709 +0/-0.008 \times 1.024 \pm 0.004$ deep: Ream $\varnothing 18$ mm H7 x 0.79 deep min. ◆
- Diameter $0.748 +0/-0.008 \times 0.551 \pm 0.004$ deep: Ream $\varnothing 19$ mm H7 x 0.32 deep min. ◆



- ◆ Tool kit 459285 for machining the $\varnothing 17$ mm, $\varnothing 18$ mm and $\varnothing 19$ mm bores (and when required, the $\varnothing 26$ mm bore) can be ordered if required. The kit comprises a stepped drill and a stepped reamer.

Products we offer:

- Cartridge valves
- DCV directional control valves
- Electric converters
- Electric machines
- Electric motors
- Gear motors
- Gear pumps
- Hydraulic integrated circuits (HICs)
- Hydrostatic motors
- Hydrostatic pumps
- Orbital motors
- PLUS+1® controllers
- PLUS+1® displays
- PLUS+1® joysticks and pedals
- PLUS+1® operator interfaces
- PLUS+1® sensors
- PLUS+1® software
- PLUS+1® software services, support and training
- Position controls and sensors
- PVG proportional valves
- Steering components and systems
- Telematics

Danfoss Power Solutions is a global manufacturer and supplier of high-quality hydraulic and electric components. We specialize in providing state-of-the-art technology and solutions that excel in the harsh operating conditions of the mobile off-highway market as well as the marine sector. Building on our extensive applications expertise, we work closely with you to ensure exceptional performance for a broad range of applications. We help you and other customers around the world speed up system development, reduce costs and bring vehicles and vessels to market faster.

Danfoss Power Solutions – your strongest partner in mobile hydraulics and mobile electrification.

Go to www.danfoss.com for further product information.

We offer you expert worldwide support for ensuring the best possible solutions for outstanding performance. And with an extensive network of Global Service Partners, we also provide you with comprehensive global service for all of our components.

Local address:

Hydro-Gear

www.hydro-gear.com

Daikin-Sauer-Danfoss

www.daikin-sauer-danfoss.com

**Danfoss
Power Solutions (US) Company**
2800 East 13th Street
Ames, IA 50010, USA
Phone: +1 515 239 6000

**Danfoss
Power Solutions GmbH & Co. OHG**
Krokamp 35
D-24539 Neumünster, Germany
Phone: +49 4321 871 0

**Danfoss
Power Solutions ApS**
Nordborgvej 81
DK-6430 Nordborg, Denmark
Phone: +45 7488 2222

**Danfoss
Power Solutions Trading
(Shanghai) Co., Ltd.**
Building #22, No. 1000 Jin Hai Rd
Jin Qiao, Pudong New District
Shanghai, China 201206
Phone: +86 21 2080 6201

Danfoss can accept no responsibility for possible errors in catalogues, brochures and other printed material. Danfoss reserves the right to alter its products without notice. This also applies to products already on order provided that such alterations can be made without subsequent changes being necessary in specifications already agreed. All trademarks in this material are property of the respective companies. Danfoss and the Danfoss logotype are trademarks of Danfoss A/S. All rights reserved.