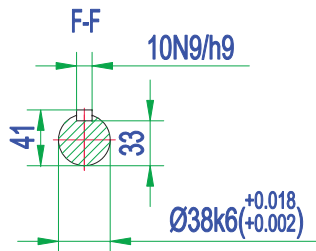
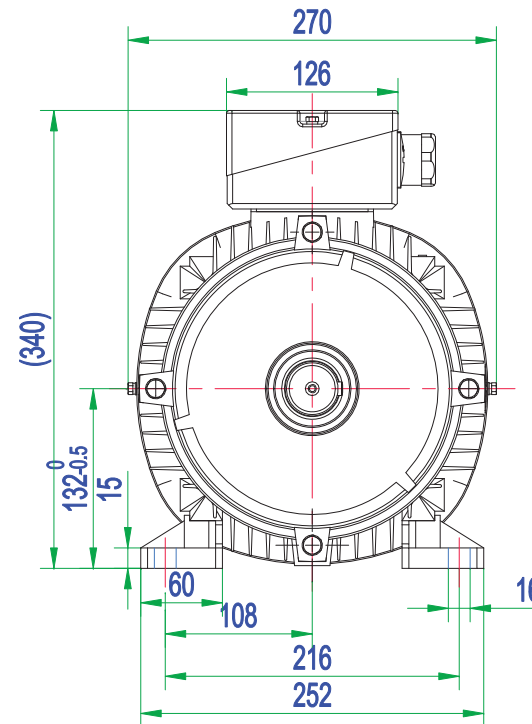
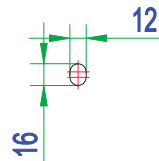



A direction



				TOLERANCES UNLESS SPECIFIED			DRAWN
				DEC.	METRIC		CHK
				.X	± 2.5	<b>TITLE</b> <b>HJA-132S B3</b>	APPD
				.XX	± .76		SCALE
				.XXX	± .127		REF
				.XXXX	± .0127		FMF
NO.	REVISION	BY & DATE	CHK	ANG	± 1/2	FINISH	PREV
THIS DRAWING IN DESIGN AND DETAIL IS OUR PROPERTY AND MUST NOT BE USED EXCEPT IN CONNECTION WITH OUR WORK ALL RIGHTS OF DESIGN AND INVENTION ARE RESERVED THIS IS AN ELECTRONICALLY GENERATED DOCUMENT - DO NOT SCALE THIS PRINT				RFP	CAD FILE	SIZE	DRAWING NO.
				DIST		<b>B</b>	
							REV.