



DIFFERENCE BETWEEN ED16 AND OLD UNIT

OLD T154

T154 ED16

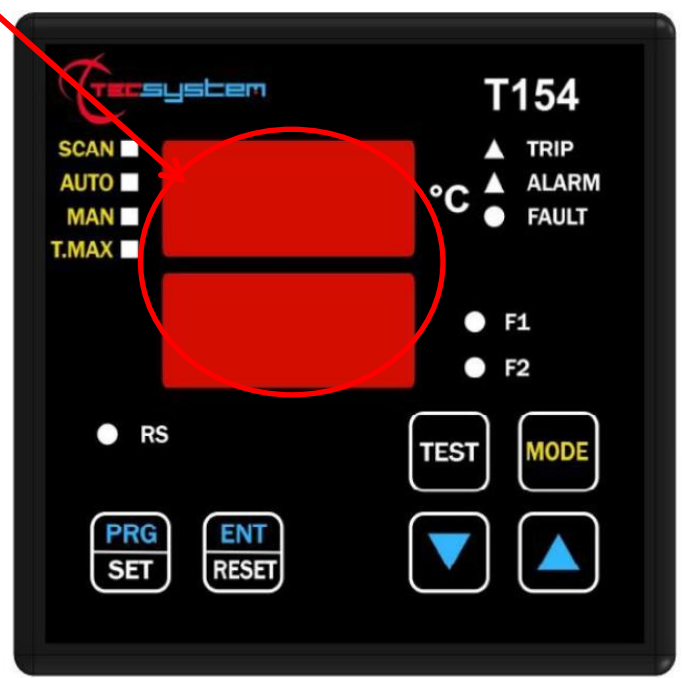
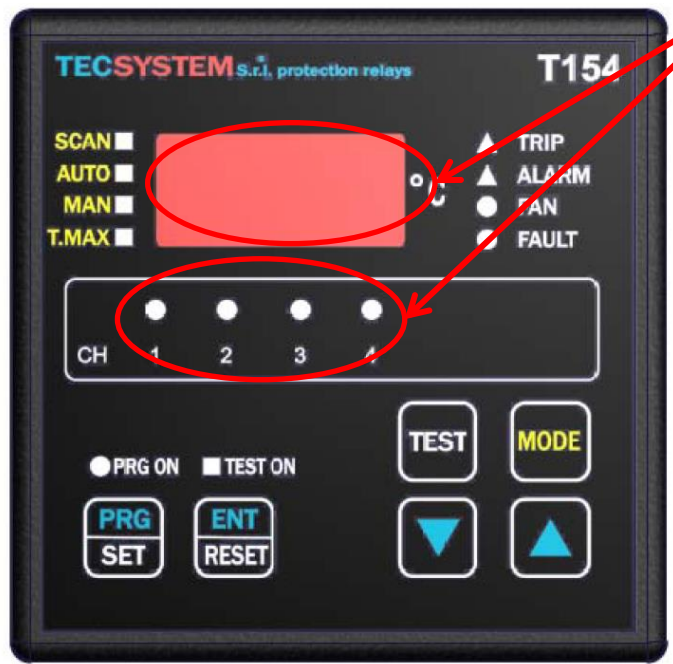


T154 ED16 - FRONT

OLD T154

T154 ED16

No more small led, Double display with more Information!

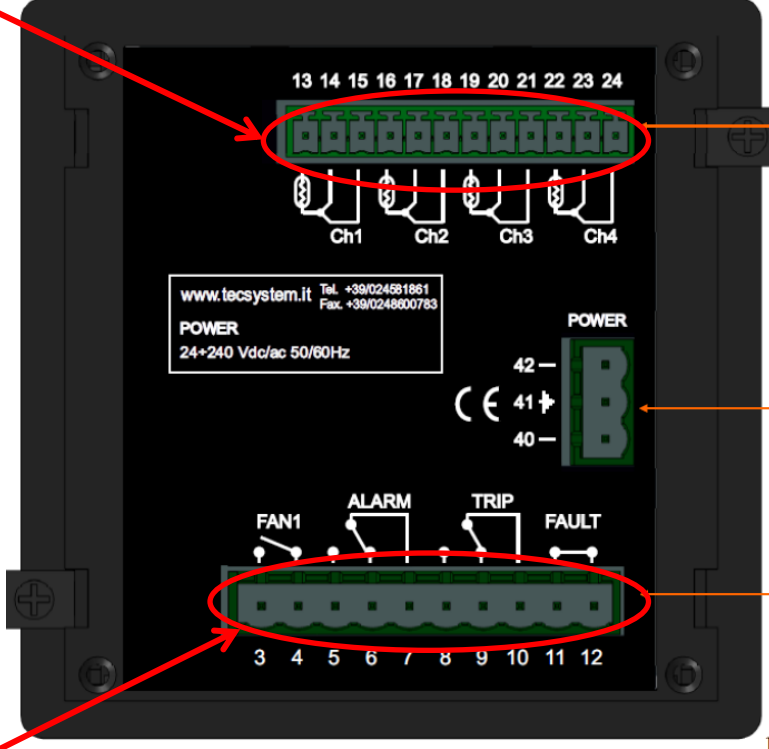
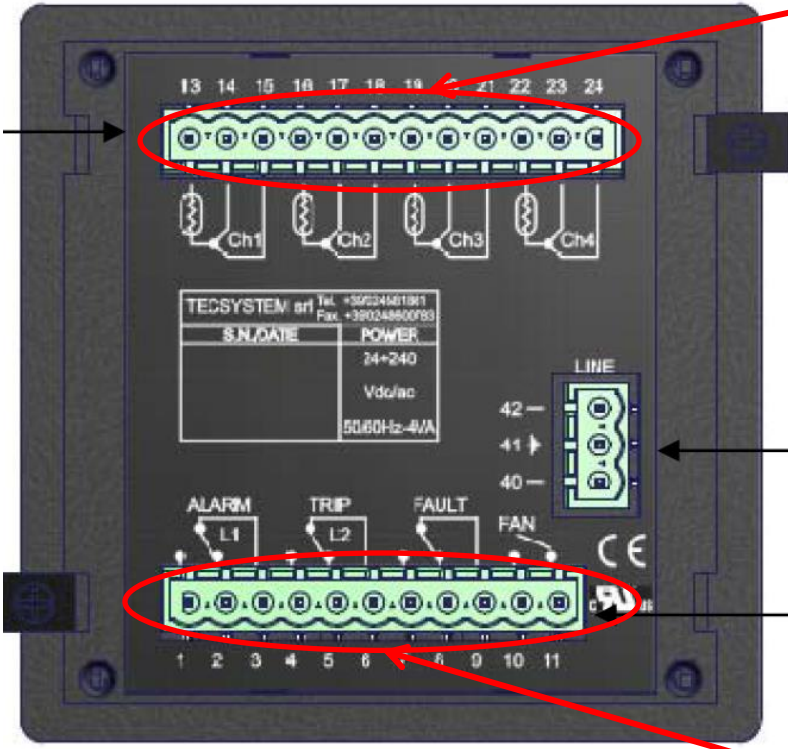


T154 ED16 - BACK

OLD T154

T154 ED16

Tighter Pt100 terminal block



Different output contact number

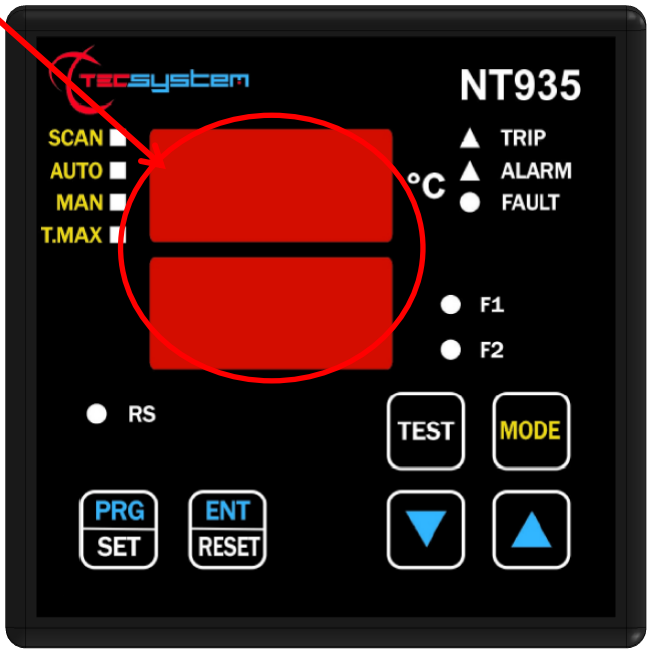
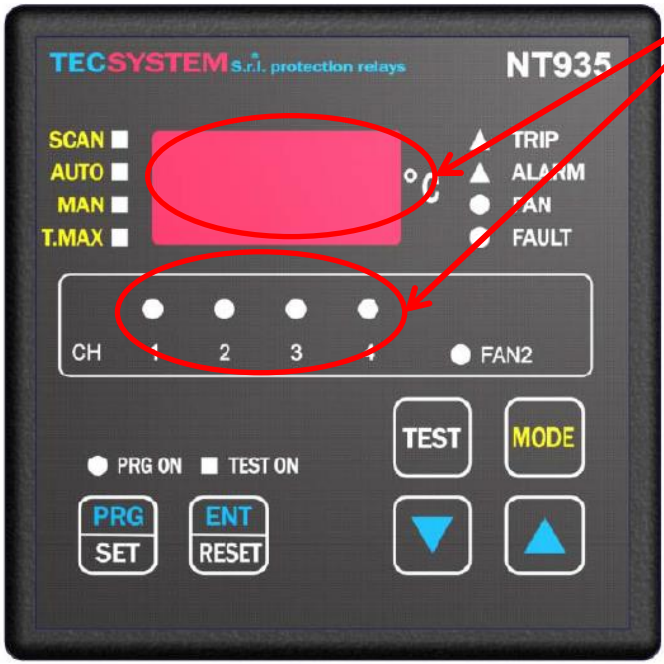


NT935ED16 - FRONT

OLD NT935 – NT935AD

NT935ED16 – NT935AD ED16

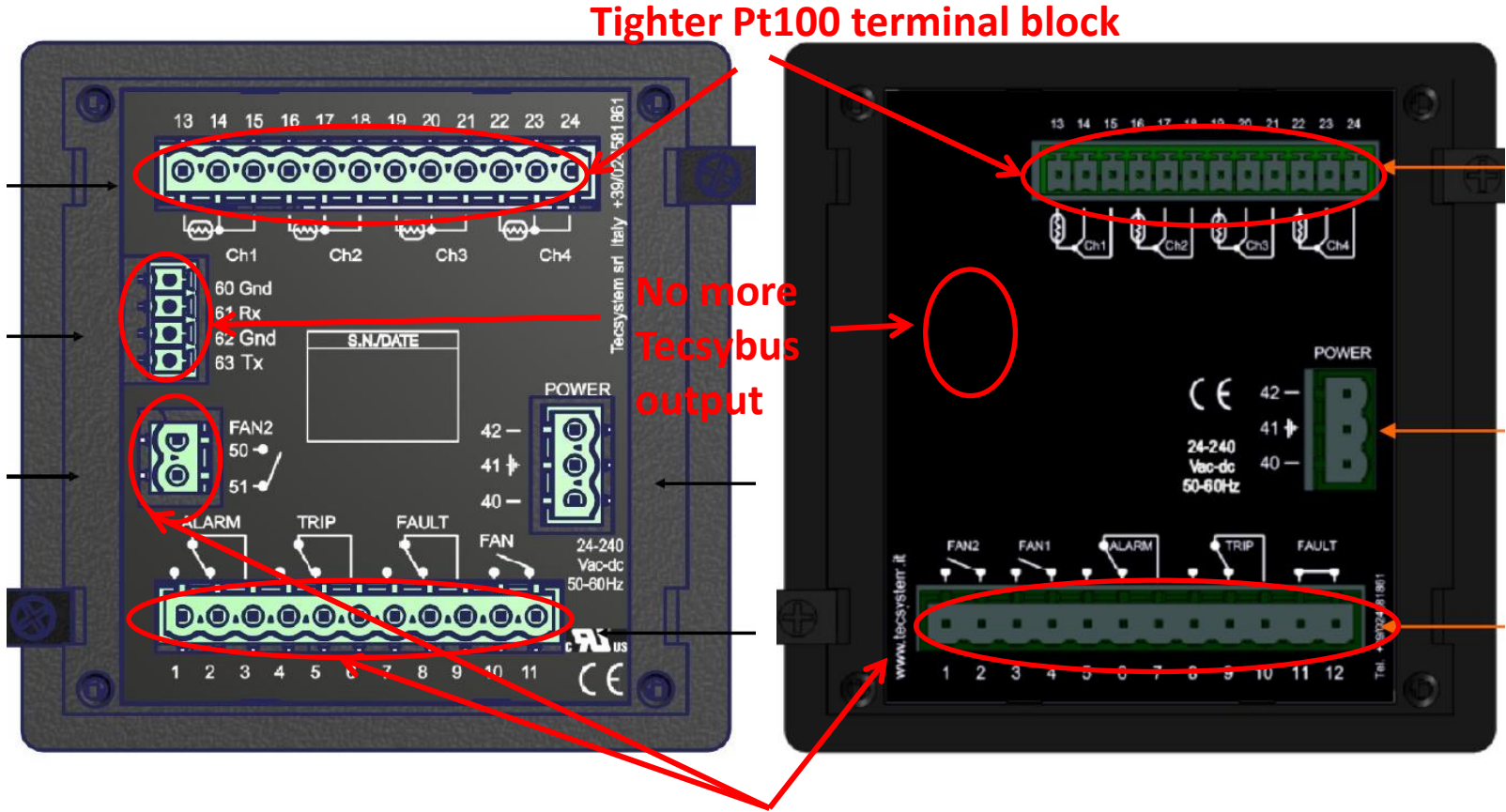
No more small led, Double display with more Information!



NT935 ED16 - BACK

OLD NT935

NT935 ED16



Tighter Pt100 terminal block

No more Tecsibus output

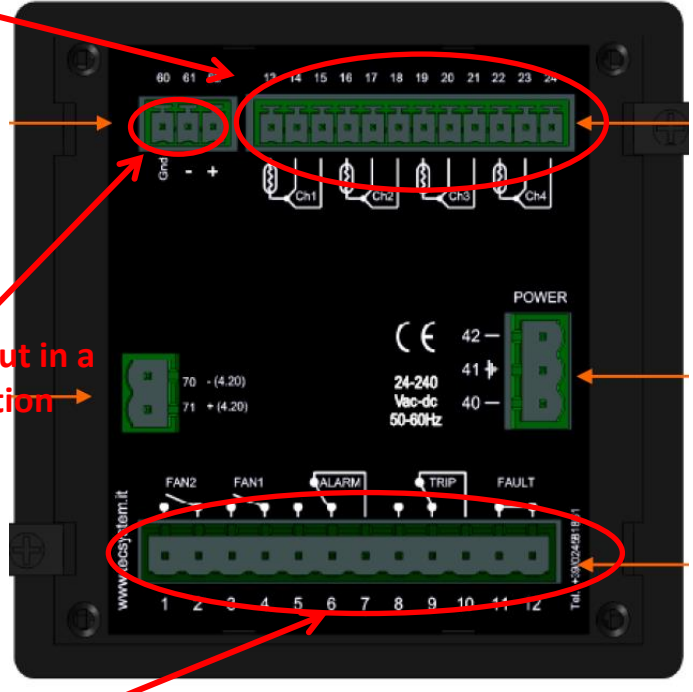
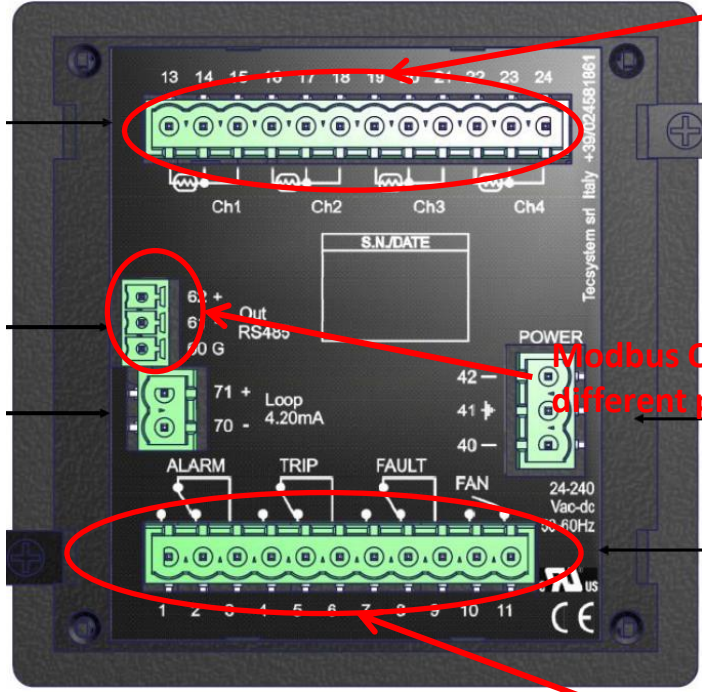
Different output contact number

NT935AD ED16 - BACK

OLD NT935AD

NT935AD ED16

Tighter Pt100 terminal block



Modbus Output in a different position

Different output contact number



**More information, datasheet and manuals on
our website: www.tecsystem.it**