

Features

Max. tensile strength 1.330 N, working load 900 N.
Small fastener giving a high tensile load.
Wide range of stud head styles and receptacles.

Selection Instructions

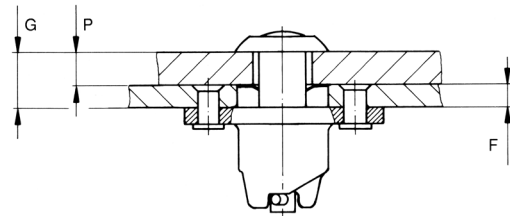
1. Select stud assembly and receptacle, page F-3 up to F-5, F-7 up to F-10.
2. Select stud accessories (retaining washer, gasket), page F-6 and F-7.
3. Select hex nut for receptacle, if necessary, page F-11.
4. Select stud length number from total thickness G using the formula and table on page F-2 (e.g. V26S01-*AGV).

Determining the stud length number when using receptacle:

Type 1 + 3*

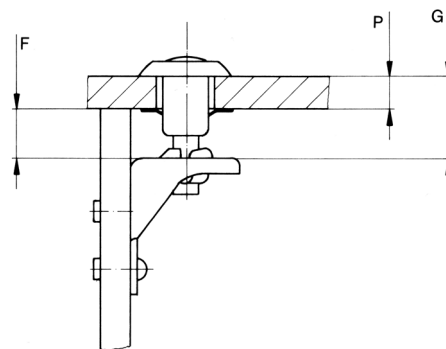
$$G = P + F$$

* For Type 3: G = 9,9 mm min.



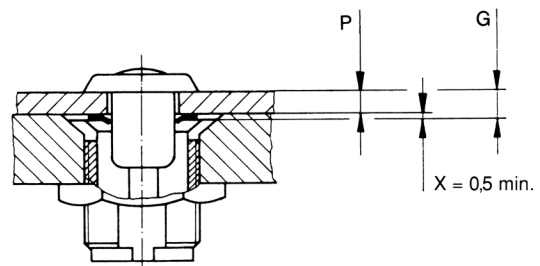
Type 2

$$G = P + F \text{ (0,75 min.)}$$




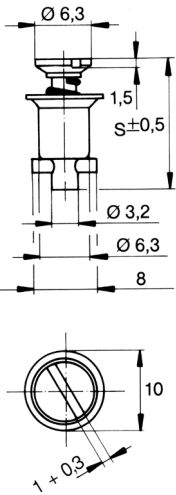

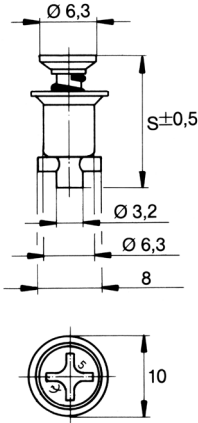
Type 4

$$G = P + X \text{ (0,5 min.)}$$



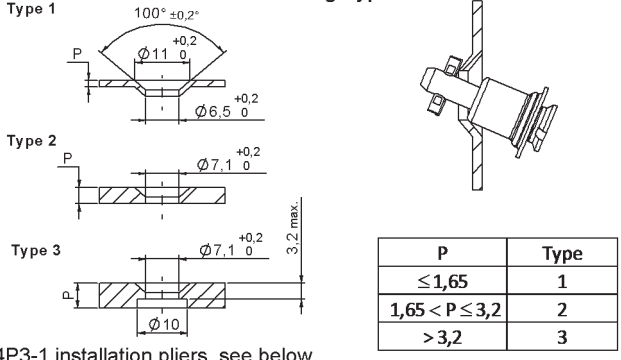
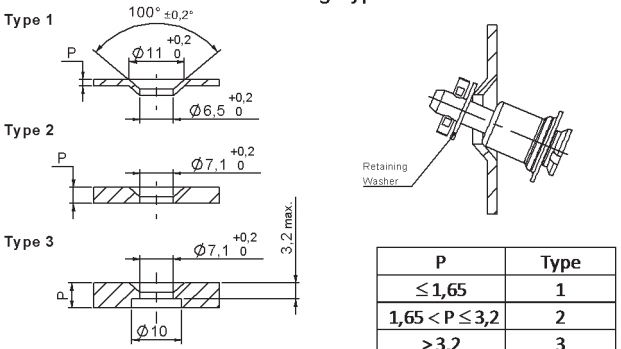
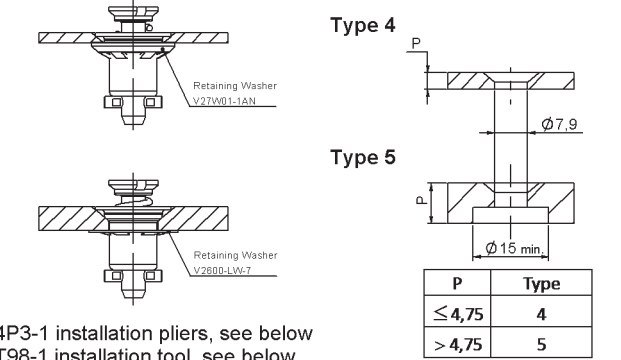
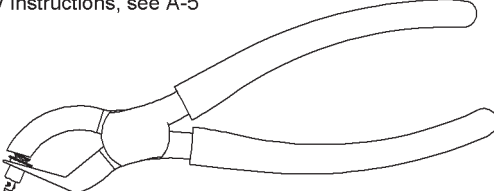
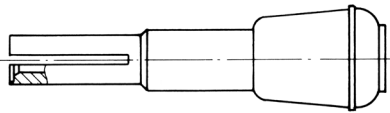
Total Thickness G	Stud Length No. When Using Type 1 + 4 Receptacles	Total Thickness G	Stud Length No. When Using Type 2 Receptacles	Total Thickness G	Stud Length No. When Using Type 3 Receptacles
0,75 - 1,50	1	0,75 - 1,50	2	9,90 - 10,65	1
1,50 - 2,30	2	1,50 - 2,30	3	10,65 - 11,40	2
2,30 - 3,05	3	2,30 - 3,05	4	11,40 - 12,20	3
3,05 - 3,80	4	3,05 - 3,80	5	12,20 - 12,95	4
3,80 - 4,60	5	3,80 - 4,60	6	12,95 - 13,70	5
4,60 - 5,35	6	4,60 - 5,35	7	13,70 - 14,50	6
5,35 - 6,10	7	5,35 - 6,10	8	14,50 - 15,25	7
6,10 - 6,85	8	6,10 - 6,85	9	15,25 - 16,00	8
6,85 - 7,60	9	6,85 - 7,60	10	16,00 - 16,75	9
7,60 - 8,40	10	7,60 - 8,40	11	16,75 - 17,50	10
8,40 - 9,15	11	8,40 - 9,15	12	17,50 - 18,30	11
9,15 - 9,90	12	9,15 - 9,90	13	18,30 - 19,05	12
9,90 - 10,65	13	9,90 - 10,65	14	19,05 - 19,80	13
10,65 - 11,40	14	10,65 - 11,40	15	19,80 - 20,60	14
11,40 - 12,20	15	11,40 - 12,20	16	20,60 - 21,35	15
12,20 - 12,95	16	12,20 - 12,95	17	21,35 - 22,10	16
12,95 - 13,70	17	12,95 - 13,70	18	22,10 - 22,85	17
13,70 - 14,50	18	13,70 - 14,50	19	22,85 - 23,60	18
14,50 - 15,25	19	14,50 - 15,25	20	23,60 - 24,40	19
15,25 - 16,00	20	15,25 - 16,00	21	24,40 - 25,15	20
16,00 - 16,75	21	16,00 - 16,75	22	25,15 - 25,90	21
16,75 - 17,50	22	16,75 - 17,50	23	25,90 - 26,65	22
17,50 - 18,30	23	17,50 - 18,30	24	26,65 - 27,40	23
18,30 - 19,05	24	18,30 - 19,05	25	27,40 - 28,20	24
19,05 - 19,80	25	19,05 - 19,80	26	28,20 - 28,95	25
19,80 - 20,60	26	19,80 - 20,60	27	28,95 - 29,70	26
20,60 - 21,35	27	20,60 - 21,35	28	29,70 - 30,50	27
21,35 - 22,10	28	21,35 - 22,10	29	30,50 - 31,25	28
22,10 - 22,85	29	22,10 - 22,85	30	31,25 - 32,00	29
22,85 - 23,60	30	22,85 - 23,60	31	32,00 - 32,75	30
23,60 - 24,40	31	23,60 - 24,40	32	32,75 - 33,50	31
24,40 - 25,15	32	24,40 - 25,15	33	33,50 - 34,30	32
25,15 - 25,90	33	25,15 - 25,90	34	34,30 - 35,05	33
25,90 - 26,65	34	25,90 - 26,65	35	35,05 - 35,80	34
26,65 - 27,40	35	26,65 - 27,40	36	35,80 - 36,60	35
27,40 - 28,20	36	27,40 - 28,20	37	36,60 - 37,35	36
28,20 - 28,95	37	28,20 - 28,95	38	37,35 - 38,10	37
28,95 - 29,70	38	28,95 - 29,70	39	38,10 - 38,85	38
29,70 - 30,50	39	29,70 - 30,50	40	38,85 - 39,60	39
30,50 - 31,25	40	29,70 - 30,50	40	39,60 - 40,40	40


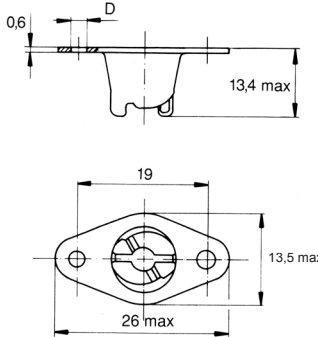

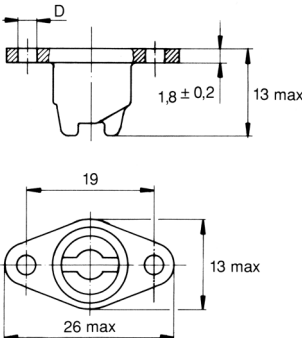
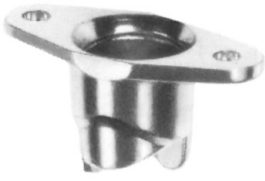
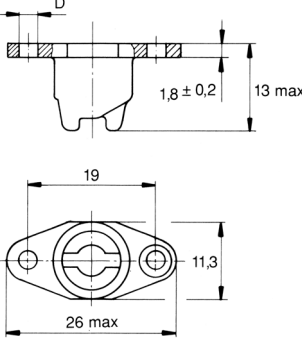

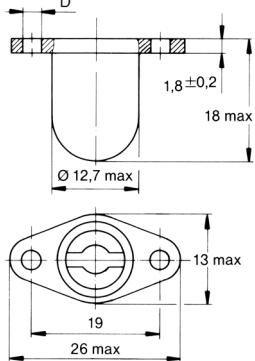
Other lengths on request.

Style	Dimensions	Materials / Finish	°C	Part No.
<p>Slotted Recess Flush Head</p> 	 <p>$S = 14,73 + (0,76 \times \text{length no.})$</p>	<p>Steel / zinc-plated, CrVI-free, clear passivation</p> <p>Stainless steel ¹⁾</p>	<p>120</p> <p>200</p>	<p>V27S01-*AGV</p> <p>2700-*S</p>
<p>Cross Recess Flush Head</p> 	 <p>$S = 14,73 + (0,76 \times \text{length no.})$</p>	<p>Steel / zinc-plated, CrVI-free, clear passivation</p>	<p>120</p>	<p>V27S02-*AGV</p>

* Length no. from Table, page F-2.

¹⁾Max. Tensile strength 1.000 N, working load 700

Installation Dimensions	Accessories	Material / Finish	Part No.								
<p>Stud Retention up to Dash No. 4 without Retaining Washer Floating Type</p>  <table border="1" data-bbox="513 607 754 719"> <thead> <tr> <th>P</th> <th>Type</th> </tr> </thead> <tbody> <tr> <td>≤ 1,65</td> <td>1</td> </tr> <tr> <td>1,65 < P ≤ 3,2</td> <td>2</td> </tr> <tr> <td>> 3,2</td> <td>3</td> </tr> </tbody> </table> <p>4P3-1 installation pliers, see below</p>	P	Type	≤ 1,65	1	1,65 < P ≤ 3,2	2	> 3,2	3	-	-	-
P	Type										
≤ 1,65	1										
1,65 < P ≤ 3,2	2										
> 3,2	3										
<p>Stud Retention from Dash No. 5 with Retaining Washer Floating Type</p>  <table border="1" data-bbox="513 1048 754 1160"> <thead> <tr> <th>P</th> <th>Type</th> </tr> </thead> <tbody> <tr> <td>≤ 1,65</td> <td>1</td> </tr> <tr> <td>1,65 < P ≤ 3,2</td> <td>2</td> </tr> <tr> <td>> 3,2</td> <td>3</td> </tr> </tbody> </table> <p>4P3-1 installation pliers, see below</p>	P	Type	≤ 1,65	1	1,65 < P ≤ 3,2	2	> 3,2	3	Retaining washer	Stainless steel	2600-SW
P	Type										
≤ 1,65	1										
1,65 < P ≤ 3,2	2										
> 3,2	3										
<p>Stud Retention with Retaining Washer Fixed installed</p>  <table border="1" data-bbox="560 1507 730 1597"> <thead> <tr> <th>P</th> <th>Type</th> </tr> </thead> <tbody> <tr> <td>≤ 4,75</td> <td>4</td> </tr> <tr> <td>> 4,75</td> <td>5</td> </tr> </tbody> </table> <p>4P3-1 installation pliers, see below T98-1 installation tool, see below</p>	P	Type	≤ 4,75	4	> 4,75	5	Retaining washer	Stainless steel Steel / nickel-plated	V2600-LW-7 V27W01-1AN		
P	Type										
≤ 4,75	4										
> 4,75	5										
<p>Assembly Instructions, see A-5</p> 	Stud Installation pliers		4P3-1								
<p>Assembly Instructions, see A-5</p> 	V2600-LW-7 and V27W01-1AN retaining washer installation tool		T98-1								

Style	Dimensions	Materials / Finish	D	°C	Part No.
<p>Type 1 Lightweight</p> 		Steel / zinc-plated, CrVI-free, clear passivation	2,6	120	V26R6-1AGV
<p>Type 1 Cast</p> 		<p>Hard bronze / zinc-plated, CrVI-free, clear passivation</p> <p>Hard bronze / zinc-plated, CrVI-free, clear passivation</p> <p>Stainless steel</p>	<p>2,5</p> <p>3,3</p> <p>2,5</p>	<p>120</p> <p>120</p> <p>200</p>	<p>V212-12-1FGV</p> <p>V212-12-2FGV</p> <p>212-12S</p>
<p>Type 1 Narrow Width</p> 		Hard bronze / zinc-plated, CrVI-free, clear passivation	2,5	120	V212-12N-1FGV
<p>Type 1 Encapsulated</p> 		<p>Hard bronze / zinc-plated, CrVI-free, clear passivation</p> <p>Capsule: Steel / zinc-plated, CrVI-free, clear passivation</p> <p>Stainless steel</p>	<p>2,5</p> <p>2,5</p>	<p>120</p> <p>150</p>	<p>26R16-1FGV</p> <p>26R18-1-1AA</p>