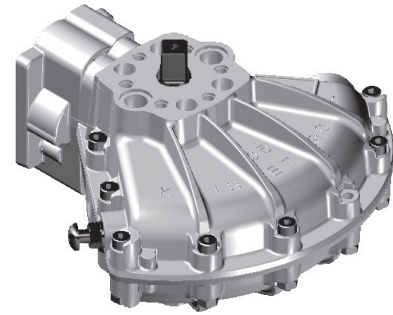


KINETROL-actuator Model 05A-100 / 053-100

Model 053-100 without NAMUR-adapter-plate

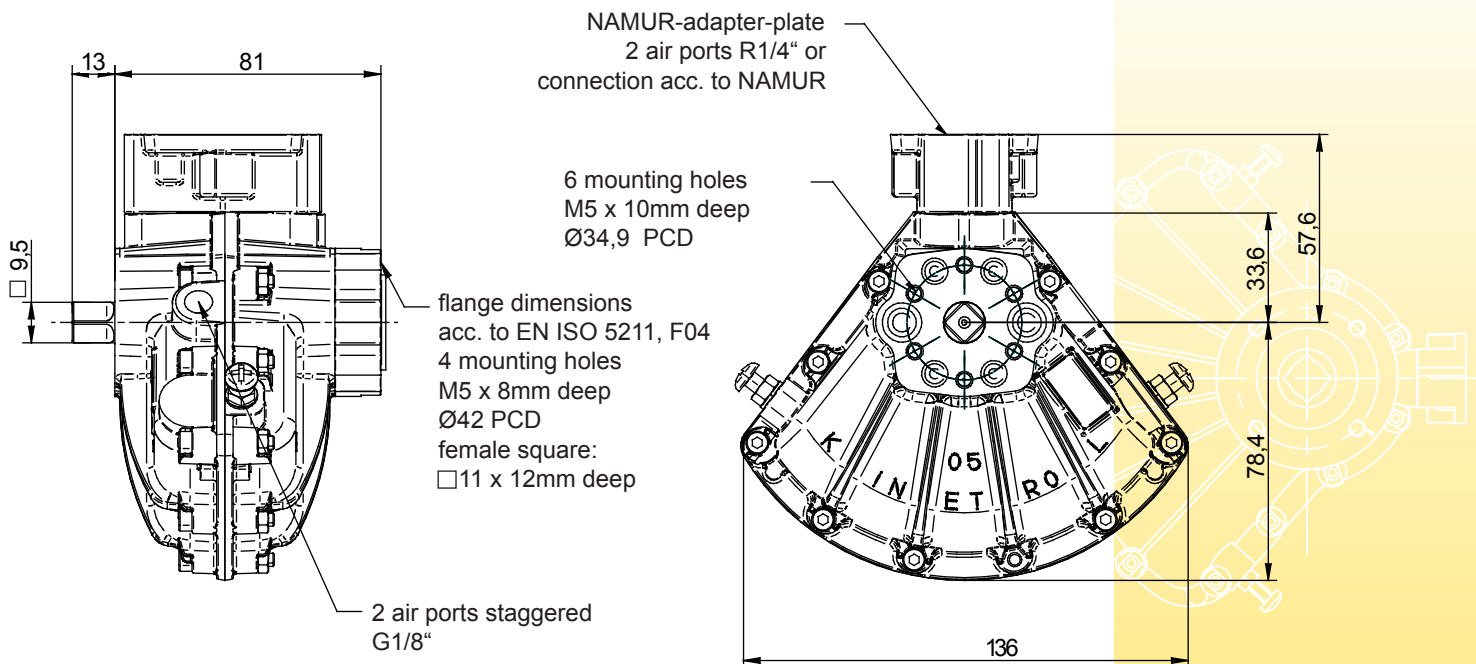
DIN-device
double acting



KINETROL-actuator
Model 05A-100 / 053-100

Specifications

Angle of Travel	80° to 100°
Working Temperature Range	-20°C to +80°C (with VITON-option up to +100°C)
max. Working Pressure	7bar
max. Overload Pressure	10bar
max. Output Torque	50Nm (at 7bar)
Quality of Air	clean and dry (quality class acc. to ISO8573.1)
Displaced Volume	113cm ³
Weight	1,93kg
Finish	epoxy stove enamel



Options

- Spring Return Unit
spring units are available for either clockwise (code F120) or counter clockwise (code F130)
- Solenoid Valve acc. to NAMUR
- Limit Switch Unit
- AP-Positioner
- EL-Positioner
- P3-Positioner
- Position Indicator / Monitor

standard stroke adjustment = 90°
recommended seal kit SP042, consisting of:
2 vane seals, 2 expander, 2 shaft seals and sealants

