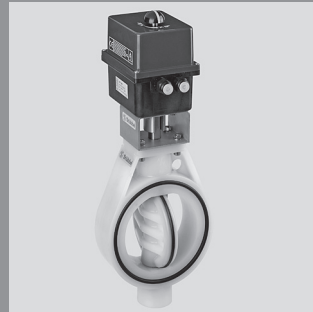


Butterfly valve K 210

for application in the harsh environment of the chemical industry



Advantage

- double shaft seal
- body with O-ring, no additional flange sealings required

Application

- chemical plants
- industrial plants
- electroplating plants

Intended Use

- for shutting off pipeline systems

Flow Media

- Neutral and aggressive fluid or gaseous media, provided that the valve components coming into contact with the media are resistant at the operating temperature in accordance with the ASV-resistance guide.
- Contaminated media may impair the sealing function.

Testing

- Requirements and tests/inspections according to DIN 3441, 3442, 8063 and 16962. DIN EN 12266, leakage rate A tested.

Nominal Pressure (H₂O, 20°C)

- PN 6 - PN 10

Fluid Temperature

- see pressure-/temperature diagram

Operating Pressure

- see pressure-/temperature diagram

Size

- DN 50 - DN 200

Body / Shut-Off Disc

- PVC-U/PVC-U
- PP/PP
- PVDF/PVDF

Bearing Bush

- PVDF

Spindle

- stainless steel (1.4305)

Sealing

- FPM
- EPDM

Actuation

- with hand lever, spring-loaded latch for locking plate with 7 notches, each 15°
- with gear box, 1:44
- with electric actuator, DIN EN ISO 5211
- with pneumatic actuator, DIN EN ISO 5211

Connection

- wafer type flange according to DIN EN 1092, PN 10/16

Mounting Position

- as required

Accessories

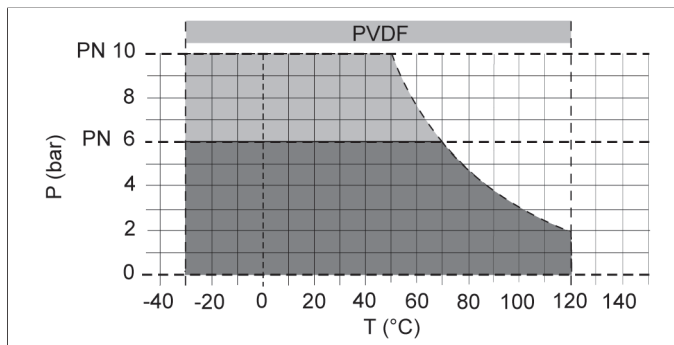
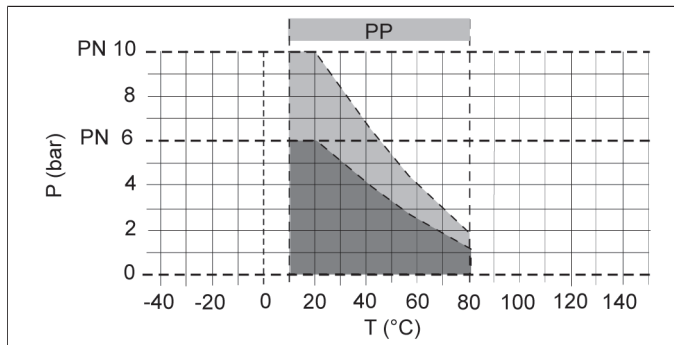
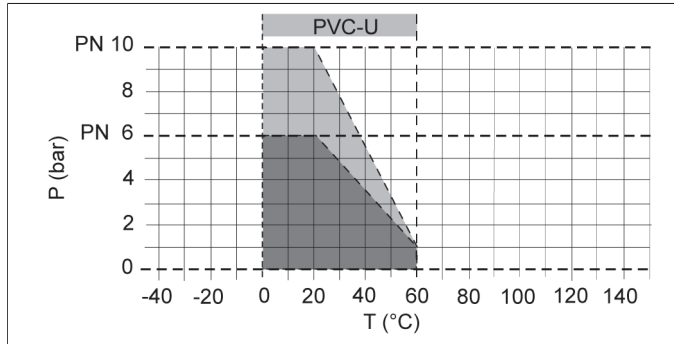
- limit switch unit

Colour

- body: PVC-U, grey, RAL 7011
- body: PP, grey, RAL 7032
- body: PVDF, opaque, yellowish-white
- hand lever: PVC-U, orange, RAL 2004

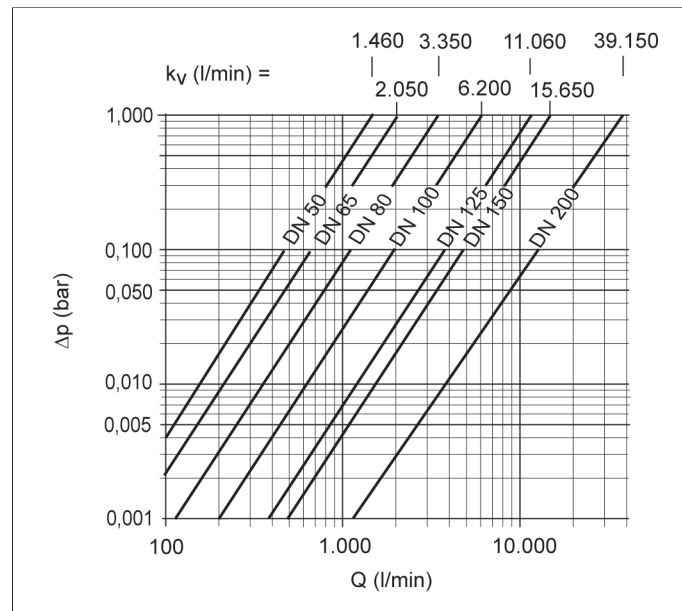
Butterfly valve K 210

Pressure/temperature diagram



The pressure/temperature limits are applicable for the stated nominal pressures and a computed operating life factor of 25 years. These are standard values for harmless media (DIN 2403), to which the valve material is resistant. For other media please refer to the ASV resistance guide. The durability of wear parts depends on the operating conditions of the application. For temperatures below 0°C (PP < +10°C) please specify the precise operating conditions of the application. The rated pressure (PN) depends on the valve size and material. For the corresponding rated pressure value of the valve, please refer to the »Order table«.

Pressure loss curve (standard values for H₂O, 20°C)



ΔP = pressure loss

Q = flow

pressure loss and k_v value

The diagram shows the pressure loss ΔP in relation to the flow Q .

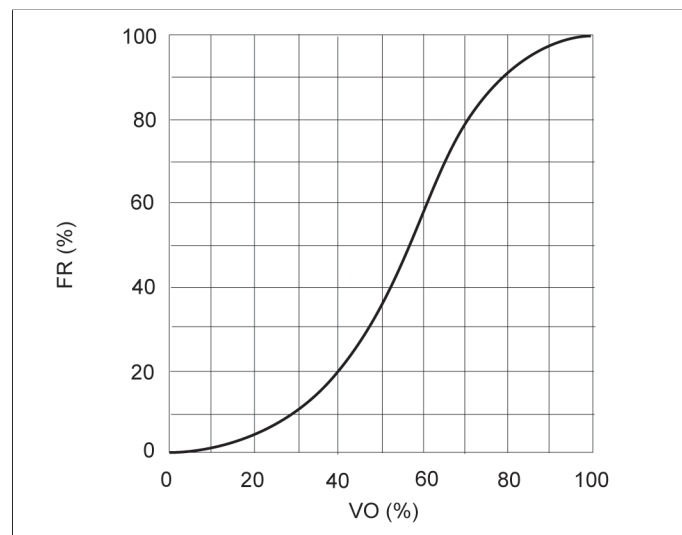
Conversion aid:

$$c_v = k_v \times 0.07; f_v = k_v \times 0.0585$$

Units:

k_v [l/min]; c_v [gal/min] US; f_v [gal/min] GB

Flow characteristic



VO = valve opening

FR = K_v value

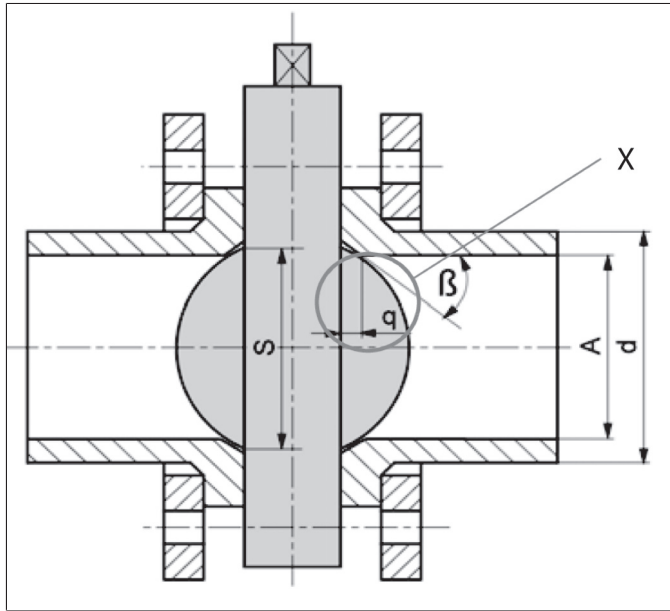
Torque (Nm)

d (mm)	63	75	90	110	140	160	225
PVC-U	15	19	28	38	52	65	82
PP	15	19	28	38	52	65	82
PVDF	15	19	28	38	52	65	82

The specified torques are standard values. They were determined at the specified nominal pressures with H₂O, 20°C. These values can be higher or lower, depending on the operating pressure and the medium.

Butterfly valve K 210

Installation note



X = chamfer

Machine a bevel to welding stubs according to the table prior to installing the butterfly valve in the pipe. If different connection fittings/pressure stages are used, ensure that the shut-off disk has a perfect opening (machine a bevel, if necessary). Otherwise damage to the shut-off disk could occur. Leaks would result.

bevel dimension for welding stubs

d (mm)	63	75	90	110
A (mm) SDR17,6	55,8	66,4	79,8	97,4
q (mm) xβ°	-	-	3x45°	3x45°
d (mm)	140	160	225	
A (mm) SDR17,6	124,0	141,8	199,4	
q (mm) xβ°	3x45°	12x30°	18x30°	
d (mm)	63	75	90	110
A (mm) SDR11	51,4	61,4	73,6	90,0
q (mm) xβ°	-	3x45°	8x35°	9x35°
d (mm)	140	160	225	
A (mm) SDR11	114,6	130,8	184,0	
q (mm) xβ°	11x35°	20x35°	31x30°	

Operating note

Safe operation of the valve can only be ensured if it is properly installed, operated, serviced or repaired by qualified personnel according to its intended use while observing the accident prevention regulations, safety regulations, relevant standards, directives/technical regulations or codes of practice such as e.g. DIN, DIN EN, DIN ISO and DVS*. *DVS = German Welding Society
 The intended use includes adhering to specified limit values for pressure and temperature, as well as checking the resistance. This requires all components coming into contact with the medium to be "resistant" in accordance with the ASV resistance guide.

Butterfly valve K 210, hand lever [d63 - d225]

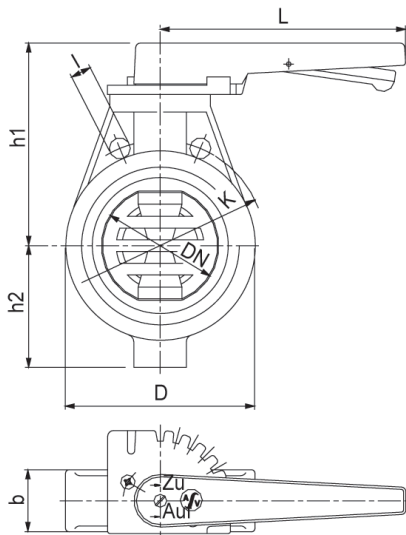


body PVC-U		disc PVC-U						
size pressure range	d(mm)	63	75	90	110	140	160	225
	DN(mm)	50	65	80	100	125	150	200
	DN(inch)	2	2 1/2	3	4	5	6	8
	PN(bar)	10	10	10	10	10	6	6
Connection	sealing	ident No.						
PVC-U wafer type flange DIN EN 1092	EPDM	46096	46097	46098	46099	46100	46101	46102
	FPM	46103	46104	46105	46106	46107	46108	46109
	weight	0.90 kg	1.40 kg	1.60 kg	1.90 kg	3.70 kg	4.20 kg	7.20 kg

body PP		disc PP						
size pressure range	d(mm)	63	75	90	110	140	160	225
	DN(mm)	50	65	80	100	125	150	200
	DN(inch)	2	2 1/2	3	4	5	6	8
	PN(bar)	10	10	10	10	10	6	6
Connection	sealing	ident No.						
PP wafer type flange DIN EN 1092	EPDM	46110	46111	46112	46113	46114	46115	46116
	FPM	46117	46118	46119	46120	46121	46122	46123
	weight	0.70 kg	1.00 kg	1.20 kg	1.50 kg	2.90 kg	3.20 kg	5.60 kg

body PVDF		disc PVDF						
size pressure range	d(mm)	63	75	90	110	140	160	225
	DN(mm)	50	65	80	100	125	150	200
	DN(inch)	2	2 1/2	3	4	5	6	8
	PN(bar)	10	10	10	10	10	6	6
Connection	sealing	ident No.						
PVDF wafer type flange DIN EN 1092	EPDM	64452	64453	64454	64455	64456	64457	64458
	FPM	64459	64460	64461	64462	64463	64464	64465
	weight	1.00 kg	1.60 kg	1.80 kg	2.20 kg	4.20 kg	4.80 kg	8.30 kg

Butterfly valve K 210, hand lever [d63 - d225]



dimensions

d(mm)	63	75	90	110	140	160	225
DN(mm)	50	65	80	100	125	150	200
DN(inch)	2	2 1/2	3	4	5	6	8

dimensions(mm)

b	43	46	46	52	64	65	71
D	107	127	142	162	192	216	272
h1	140	156	164	174	209	220	265
h2	81	88	96	106	133	145	180
K	125	145	160	180	210	240	295
l	18	18	18	18	18	23	23
L	170	210	210	210	300	300	400

Butterfly valve K 210, gear box [d63 - d225]



Mounting Set

- stainless steel (1.4301)

Screws

- stainless steel (1.4301)

Coupling

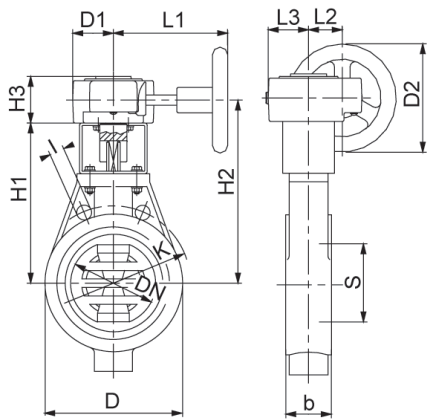
- stainless steel (1.4301)

body PVC-U		disc PVC-U						
size pressure range	d(mm)	63	75	90	110	140	160	225
	DN(mm)	50	65	80	100	125	150	200
	DN(inch)	2	2 1/2	3	4	5	6	8
	PN(bar)	10	10	10	10	10	6	6
Connection	sealing	ident No.						
PVC-U wafer type flange DIN EN 1092	EPDM	128304	128305	128306	128307	128308	128309	128310
	FPM	128312	128313	128314	128315	128316	128317	128318
	weight	3.00 kg	3.50 kg	3.70 kg	4.00 kg	5.80 kg	7.20 kg	10.20 kg

body PP		disc PP						
size pressure range	d(mm)	63	75	90	110	140	160	225
	DN(mm)	50	65	80	100	125	150	200
	DN(inch)	2	2 1/2	3	4	5	6	8
	PN(bar)	10	10	10	10	10	6	6
Connection	sealing	ident No.						
PP wafer type flange DIN EN 1092	EPDM	128320	128321	128322	128323	128324	128325	128326
	FPM	128328	128329	128330	128331	128332	128333	128334
	weight	2.80 kg	3.10 kg	3.30 kg	3.60 kg	5.00 kg	6.20 kg	8.60 kg

body PVDF		disc PVDF						
size pressure range	d(mm)	63	75	90	110	140	160	225
	DN(mm)	50	65	80	100	125	150	200
	DN(inch)	2	2 1/2	3	4	5	6	8
	PN(bar)	10	10	10	10	10	6	6
Connection	sealing	ident No.						
PVDF wafer type flange DIN EN 1092	EPDM	128336	128337	128338	128339	128340	128341	128342
	FPM	128344	128345	128346	128347	128348	128349	128350
	weight	3.10 kg	3.70 kg	3.90 kg	4.30 kg	6.30 kg	6.90 kg	10.40 kg

Butterfly valve K 210, gear box [d63 - d225]



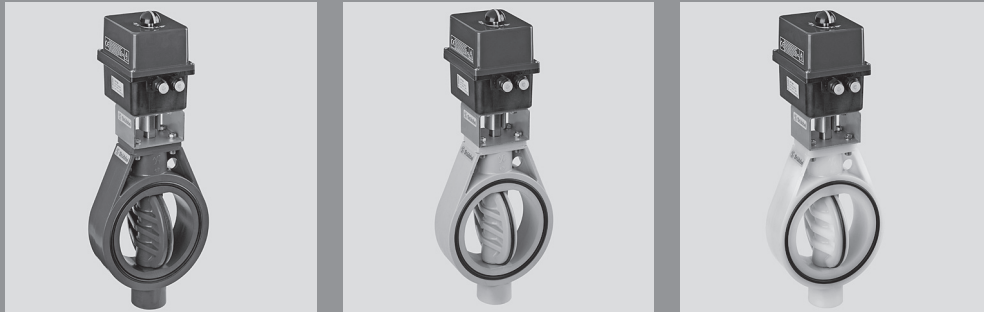
dimensions

d(mm)	63	75	90	110	140	160	225
DN(mm)	50	65	80	100	125	150	200
DN(inch)	2	2 1/2	3	4	5	6	8

dimensions(mm)

D	107	127	142	162	192	216	272
D1	48	48	48	48	48	61	61
D2	125	125	125	125	125	200	200
H1	162	172	180	190	215	227	280
H2	189	199	207	217	242	256	309
H3	55	55	55	55	55	60	60
K	125	145	160	180	210	240	295
l	18	18	18	18	18	23	23
L1	97	97	97	97	97	127	127
L2	39	39	39	39	39	47	47
L3	46	46	46	46	46	56	56
S	36	56	71	88	109	138	190

Butterfly valve K 210, electric [d63 - d225]



Voltage

- please refer to the technical data
- further drive variants and options on request

Mounting Set

- stainless steel (1.4301)

Coupling

- stainless steel (1.4301)

Screws

- stainless steel (1.4301)

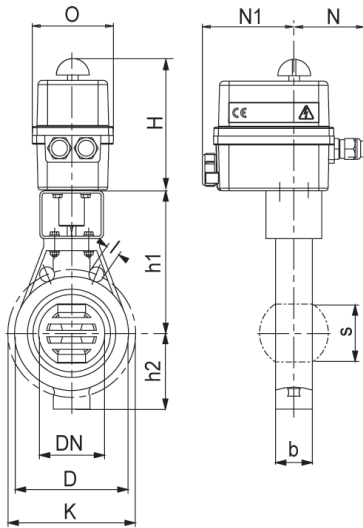
Actuator variant 230 V		body PVC-U			disc PVC-U			
size pressure range	d(mm)	63	75	90	110	140	160	225
	DN(mm)	50	65	80	100	125	150	200
	DN(inch)	2	2 1/2	3	4	5	6	8
	PN(bar)	10	10	10	10	10	6	6
Connection	sealing	ident No.						
PVC-U wafer type flange DIN EN 1092	EPDM	1283049130	1283059130	1283069130	1283079130	1283089130	1283099130	1283109230
	FPM	1283129130	1283139130	1283149130	1283159130	1283169130	1283179130	1283189230
	weight	4,90 kg	5,40 kg	5,60 kg	8,90 kg	10,70 kg	11,20 kg	14,30 kg

Actuator variant 230 V		body PP			disc PP			
size pressure range	d(mm)	63	75	90	110	140	160	225
	DN(mm)	50	65	80	100	125	150	200
	DN(inch)	2	2 1/2	3	4	5	6	8
	PN(bar)	10	10	10	10	10	6	6
Connection	sealing	ident No.						
PP wafer type flange DIN EN 1092	EPDM	1283209130	1283219130	1283229130	1283239130	1283249130	1283259130	1283269230
	FPM	1283289130	1283299130	1283309130	1283319130	1283329130	1283339130	1283349230
	weight	4,70 kg	5,00 kg	5,20 kg	8,50 kg	9,90 kg	10,20 kg	12,70 kg

Actuator variant 230 V		body PVDF			disc PVDF			
size pressure range	d(mm)	63	75	90	110	140	160	225
	DN(mm)	50	65	80	100	125	150	200
	DN(inch)	2	2 1/2	3	4	5	6	8
	PN(bar)	10	10	10	10	10	6	6
Connection	sealing	ident No.						
PVDF wafer type flange DIN EN 1092	EPDM	1283369130	1283379130	1283389130	1283399130	1283409130	1283419130	1283429230
	FPM	1283449130	1283459130	1283469130	1283479130	1283489130	1283499130	1283509230
	weight	5,00 kg	5,60 kg	5,80 kg	9,20 kg	11,20 kg	11,80 kg	15,40 kg

Butterfly valve K 210, electric [d63 - d225]

DN 50 - DN 150



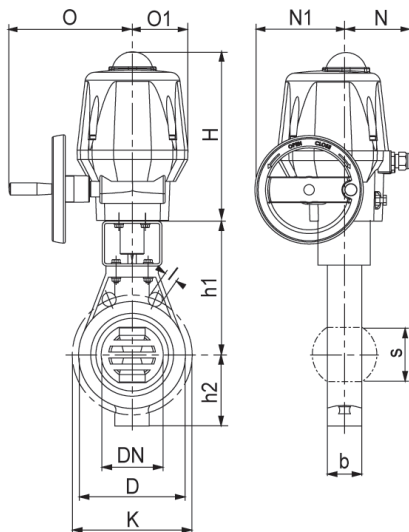
dimensions

d(mm)	63	75	90	110	140	160	225
DN(mm)	50	65	80	100	125	150	200
DN(inch)	2	2 1/2	3	4	5	6	8
actuator type	ER60	ER60	ER60	ER100	ER100	ER100	VS300

dimensions(mm)

b	43	46	46	52	64	65	71
D	107	127	142	162	192	216	272
h1	162	172	180	190	215	227	280
h2	81	88	96	106	133	145	180
H	176	176	176	212	212	212	258
K	125	145	160	180	210	240	295
l	18	18	18	18	18	23	23
N	83.5	83.5	83.5	83.5	83.5	83.5	102
N1	110.5	110.5	110.5	110.5	110.5	110.5	140
O	64	64	64	64	64	64	190
O1	64	64	64	64	64	64	85
S	36	56	71	88	109	138	190

DN 200



Butterfly valve K 210, electric [d63 - d225]

Technical data

ER-Line

Option (to be ordered additionally if required)

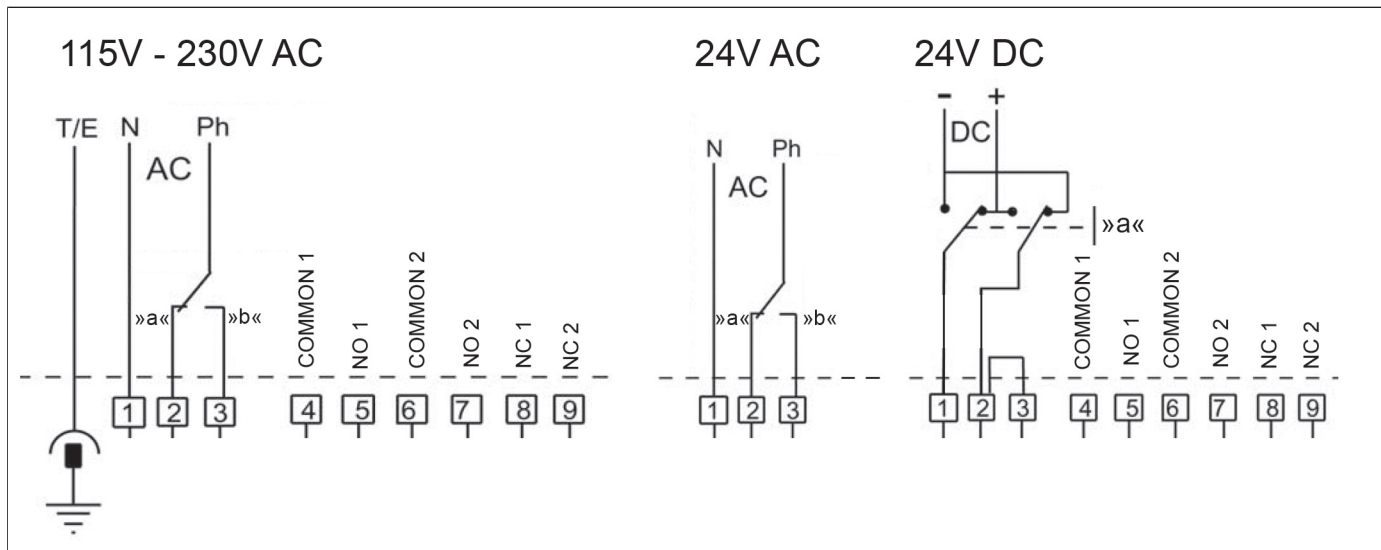
2 additional limit switches; 2 DIN 43650 connector; long hand lever; fail-safe rechargeable battery pack (internal/external); heating resistance; thermal switch; positioner; Feedback: potentiometer; feedback: 4 ... 20mA; positioner: 4 ... 20mA / 0 ... 10V; AS Interface connection; Voltage: 100 - 240 VAC 50/60Hz or 120 - 350 VDC

actuator type	ER60	ER100	ER60 (*)	ER100 (*)
Torque	60	100	60	100
Voltage	230 VAC	230 VAC	24 VAC/DC	24 VAC/DC
Manipulating time(s)	20	35	10	30
Power consumption(W)	24	24	26	26
Setting angle(°)	90	90	90	90
Weight(kg)	3	3	3	3
Duty cycle(%)	50	50	30	30
Type of protection	IP 65	IP 65	IP 65	IP 65
Temperature(°C)	-10 ... 55	-10 ... 55	-10 ... 55	-10 ... 55

(*) Drive variants: please order separately.

Recommended wiring

ER-Line



NO1 = limit switch 1 open

NO2 = limit switch 2 open

NC1 = limit switch 1 closed

NC2 = limit switch 2 closed

»a« = open

»b« = closed

Technical data

VS-Line

Option (to be ordered additionally if required)

2 additional limit switches; long hand lever; fail-safe rechargeable battery pack (internal/external); positioner; Feedback: potentiometer; feedback: 4 ... 20mA; positioner: 4 ... 20mA / 0 ... 10V; AS Interface connection; ATEX version; Duty cycle: 80%

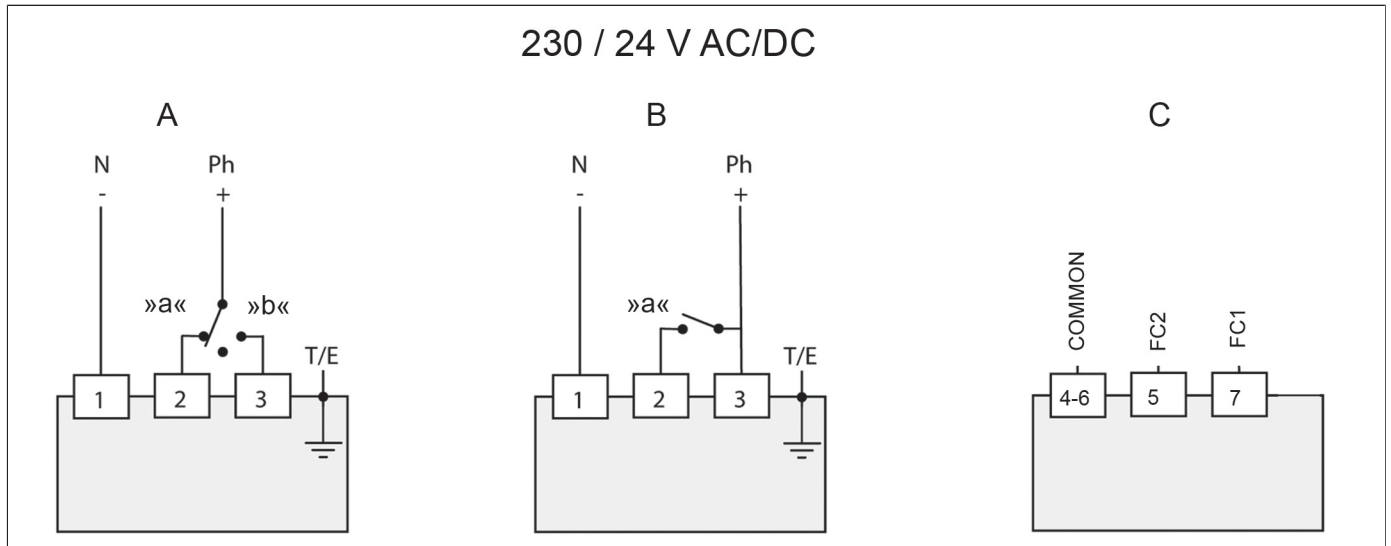
actuator type	VS300	VS300 (*)	VS300 (*)
Torque	300	300	300
Voltage	100 - 240 VAC	24 VAC/DC	400 VAC
Manipulating time(s)	50	50	35
Power consumption(W)	85	85	135
Setting angle(°)	90	90	90
Weight(kg)	5.6	5.6	5.6
Duty cycle(%)	50	50	50
Type of protection	IP 67	IP 67	IP 67
Temperature(°C)	-20 ... 70	-20 ... 70	-20 ... 70

Butterfly valve K 210, electric [d63 - d225]

(*) Drive variants: please order separately.

Recommended wiring

VS-Line



A = 3 switch positions

B = open/closed switch position

C = feedback

FC1 = limit switch 1

FC2 = limit switch 2

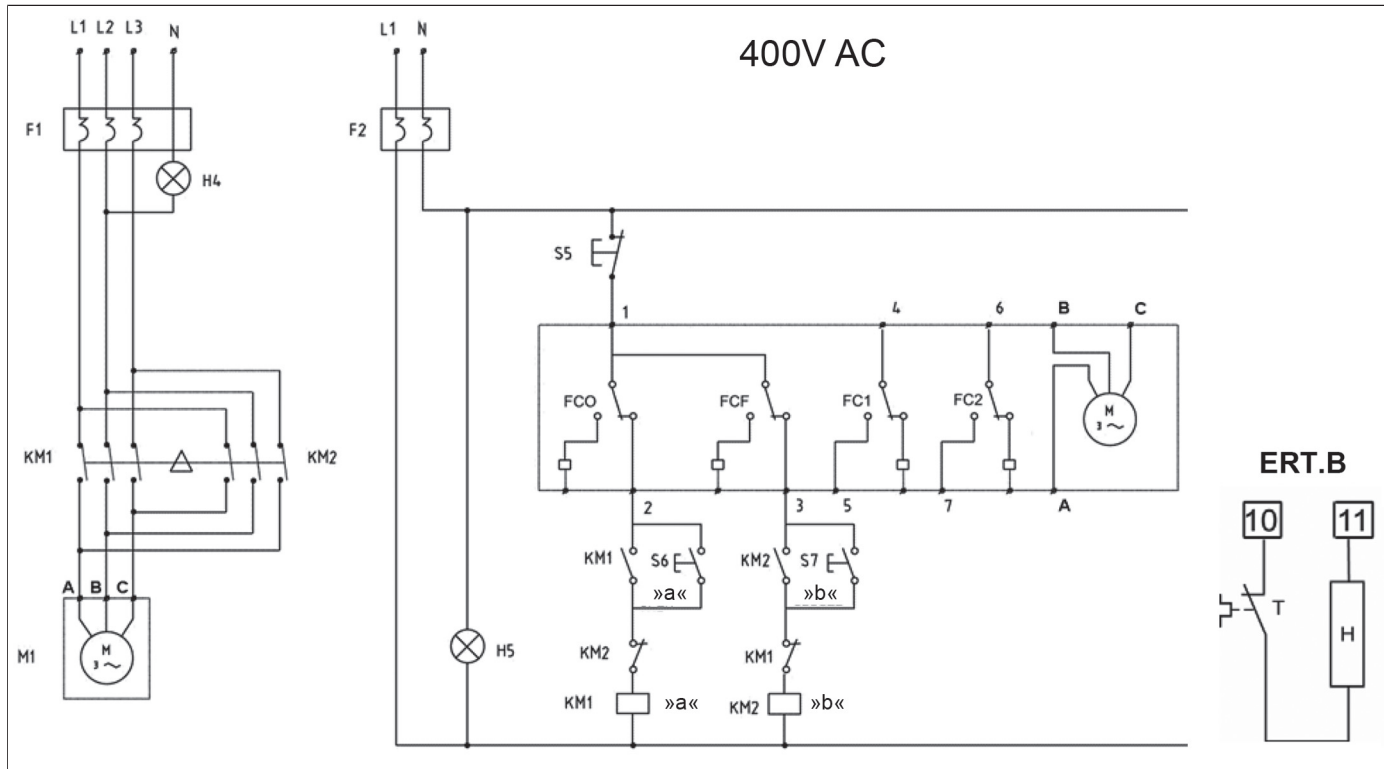
»a« = open

»b« = closed

Butterfly valve K 210, electric [d63 - d225]

Recommended wiring

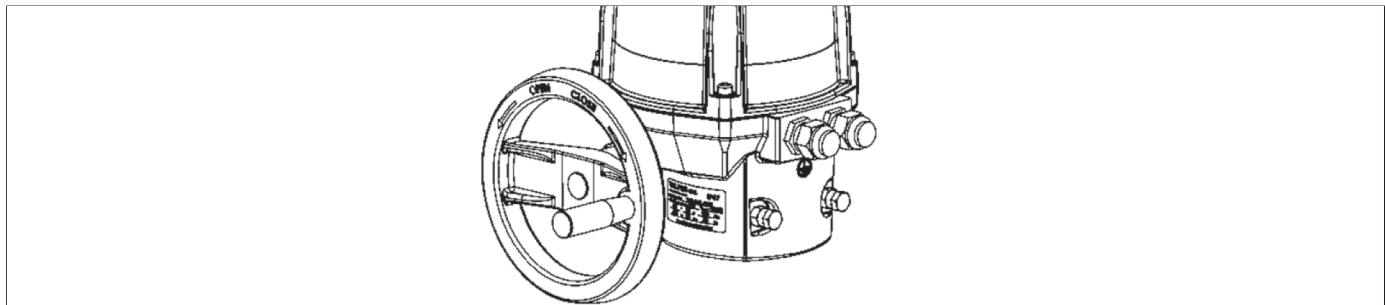
VS-Line



- KM1 = opening switch*
- KM2 = closing switch*
- FCO = limit switch open*
- FCF = limit switch closed*
- FC1 = additional limit switch 1*
- FC2 = additional limit switch 2*
- S5 = stop switch*
- S6 = open switch*
- S7 = closed switch*
- M = motor*
- H4 = motor supply indication*
- H5 = control supply indication*
- F1 = thermal switch 1*
- F2 = thermal switch 2*
- H = heating resistor*
- T = thermal switch*

Manual emergency control

VS-Line



Prior to manual commissioning ensure that the electricity supply is interrupted. It is not necessary to disengage the coupling; it is sufficient to turn the handwheel.

Butterfly valve K 210, pneumatic [d63 - d225]



Control Pressure

- 6 bar

Control Function

- NC (normally closed)
- NO (normally open)
- DA (double acting)

Mounting Set

- stainless steel (1.4301)

Coupling

- stainless steel (1.4301)

Screws

- stainless steel (1.4301)

Standard

- visual position indicator
- further options such as limit switch unit, positioner or pilot valves on request

Actuator variant NC		body PVC-U			disc PVC-U			
size pressure range	d(mm)	63	75	90	110	140	160	225
	DN(mm)	50	65	80	100	125	150	200
	DN(inch)	2	2 1/2	3	4	5	6	8
	PN(bar)	10	10	10	10	10	6	6
Connection	sealing	ident No.						
PVC-U wafer type flange DIN EN 1092	EPDM	1283049560	1283059560	1283069560	1283079560	1283089660	1283099660	1283109660
	FPM	1283129560	1283139560	1283149560	1283159560	1283169660	1283179660	1283189660
	weight	6.85 kg	7.35 kg	7.55 kg	7.85 kg	13.90 kg	14.40 kg	24.60 kg

Actuator variant NO		body PVC-U			disc PVC-U			
size pressure range	d(mm)	63	75	90	110	140	160	225
	DN(mm)	50	65	80	100	125	150	200
	DN(inch)	2	2 1/2	3	4	5	6	8
	PN(bar)	10	10	10	10	10	6	6
Connection	sealing	ident No.						
PVC-U wafer type flange DIN EN 1092	EPDM	1283049570	1283059570	1283069570	1283079570	1283089670	1283099670	1283109670
	FPM	1283129570	1283139570	1283149570	1283159570	1283169670	1283179670	1283189670
	weight	6.85 kg	7.35 kg	7.55 kg	7.85 kg	13.90 kg	14.40 kg	24.60 kg

Butterfly valve K 210, pneumatic [d63 - d225]



Actuator variant DA		body PVC-U				disc PVC-U			
size pressure range	d(mm)	63	75	90	110	140	160	225	
	DN(mm)	50	65	80	100	125	150	200	
	DN(inch)	2	2 1/2	3	4	5	6	8	
	PN(bar)	10	10	10	10	10	6	6	
Connection	sealing	ident No.							
PVC-U wafer type flange DIN EN 1092	EPDM	1283049580	1283059580	1283069580	1283079580	1283089580	1283099680	1283109680	
	FPM	1283129580	1283139580	1283149580	1283159580	1283169580	1283179680	1283189680	
	weight	3.31 kg	3.81 kg	4.01 kg	4.31 kg	7.64 kg	11.10 kg	14.60 kg	

Actuator variant NC		body PP				disc PP			
size pressure range	d(mm)	63	75	90	110	140	160	225	
	DN(mm)	50	65	80	100	125	150	200	
	DN(inch)	2	2 1/2	3	4	5	6	8	
	PN(bar)	10	10	10	10	10	6	6	
Connection	sealing	ident No.							
PP wafer type flange DIN EN 1092	EPDM	1283209560	1283219560	1283229560	1283239560	1283249660	1283259660	1283269660	
	FPM	1283289560	1283299560	1283309560	1283319560	1283329660	1283339660	1283349660	
	weight	6.65 kg	6.95 kg	7.15 kg	7.45 kg	13.10 kg	13.40 kg	23.00 kg	

Actuator variant NO		body PP				disc PP			
size pressure range	d(mm)	63	75	90	110	140	160	225	
	DN(mm)	50	65	80	100	125	150	200	
	DN(inch)	2	2 1/2	3	4	5	6	8	
	PN(bar)	10	10	10	10	10	6	6	
Connection	sealing	ident No.							
PP wafer type flange DIN EN 1092	EPDM	1283209570	1283219570	1283229570	1283239570	1283249670	1283259670	1283269670	
	FPM	1283289570	1283299570	1283309570	1283319570	1283329670	1283339670	1283349670	
	weight	6.65 kg	6.95 kg	7.15 kg	7.45 kg	13.10 kg	13.40 kg	23.00 kg	

Butterfly valve K 210, pneumatic [d63 - d225]



Actuator variant DA		body PP			disc PP				
<i>size</i>	d(mm)	63	75	90	110	140	160	225	
	<i>pressure range</i>	DN(mm)	50	65	80	100	125	150	200
		DN(inch)	2	2 1/2	3	4	5	6	8
		PN(bar)	10	10	10	10	10	6	6
<i>Connection</i>	<i>sealing</i>	<i>ident No.</i>							
	<i>weight</i>								
PP wafer type flange DIN EN 1092	EPDM	1283209580	1283219580	1283229580	1283239580	1283249580	1283259680	1283269680	
	FPM	1283289580	1283299580	1283309580	1283319580	1283329580	1283339680	1283349680	
	<i>weight</i>	3.11 kg	3.41 kg	3.61 kg	3.91 kg	6.84 kg	10.10 kg	13.00 kg	

Actuator variant NC		body PVDF			disc PVDF				
<i>size</i>	d(mm)	63	75	90	110	140	160	225	
	<i>pressure range</i>	DN(mm)	50	65	80	100	125	150	200
		DN(inch)	2	2 1/2	3	4	5	6	8
		PN(bar)	10	10	10	10	10	6	6
<i>Connection</i>	<i>sealing</i>	<i>ident No.</i>							
	<i>weight</i>								
PVDF wafer type flange DIN EN 1092	EPDM	1283369560	1283379560	1283389560	1283399560	1283409660	1283419660	1283429660	
	FPM	1283449560	1283459560	1283469560	1283479560	1283489660	1283499660	1283509660	
	<i>weight</i>	6.95 kg	7.55 kg	7.75 kg	8.15 kg	14.40 kg	15.00 kg	25.70 kg	

Actuator variant NO		body PVDF			disc PVDF				
<i>size</i>	d(mm)	63	75	90	110	140	160	225	
	<i>pressure range</i>	DN(mm)	50	65	80	100	125	150	200
		DN(inch)	2	2 1/2	3	4	5	6	8
		PN(bar)	10	10	10	10	10	6	6
<i>Connection</i>	<i>sealing</i>	<i>ident No.</i>							
	<i>weight</i>								
PVDF wafer type flange DIN EN 1092	EPDM	1283369570	1283379570	1283389570	1283399570	1283409670	1283419670	1283429670	
	FPM	1283449570	1283459570	1283469570	1283479570	1283489670	1283499670	1283509670	
	<i>weight</i>	6.95 kg	7.55 kg	7.75 kg	8.15 kg	14.40 kg	15.00 kg	25.70 kg	

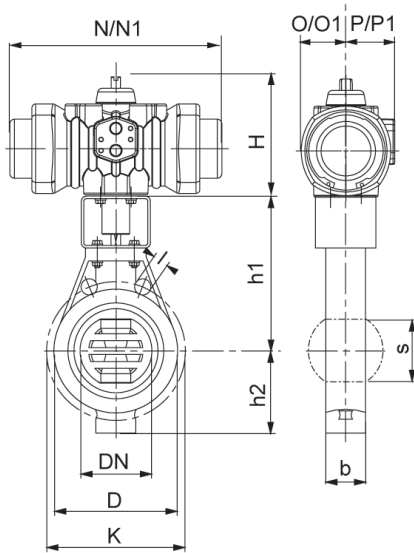
Butterfly valve K 210, pneumatic [d63 - d225]



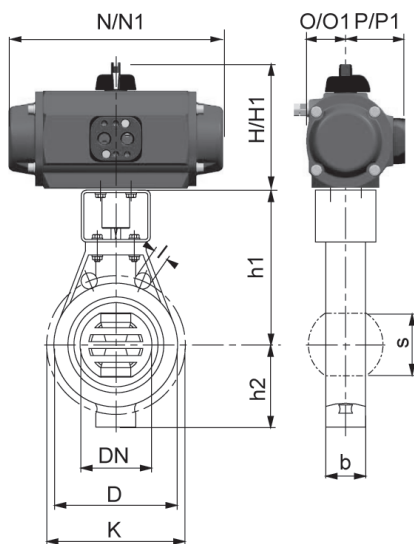
Actuator variant DA	body PVDF		disc PVDF					
size	d(mm)	63	75	90	110	140	160	225
pressure range	DN(mm)	50	65	80	100	125	150	200
	DN(inch)	2	2 1/2	3	4	5	6	8
	PN(bar)	10	10	10	10	10	6	6
Connection	sealing	ident No.						
PVDF wafer type flange DIN EN 1092	EPDM	1283369580	1283379580	1283389580	1283399580	1283409580	1283419680	1283429680
	FPM	1283449580	1283459580	1283469580	1283479580	1283489580	1283499680	1283509680
	weight	3.41 kg	4.01 kg	4.21 kg	4.61 kg	8.14 kg	11.70 kg	15.70 kg

Butterfly valve K 210, pneumatic [d63 - d225]

DN 50 - DN 125



DN 150 - DN 200



N/O/P/H = NC/NO
 N₁/O₁/P₁/H₁ = DA

dimensions

d(mm)	63	75	90	110	140	160	225
DN(mm)	50	65	80	100	125	150	200
DN(inch)	2	2 1/2	3	4	5	6	8
actuator type	PP10 DA PP20S NC/NO	PP10 DA PP20S NC/NO	PP10 DA PP20S NC/NO	PP10 DA PP20S NC/NO	PP20 DA PA25S NC/NO	PA25 DA PA25S NC/NO	PA25 DA PA30S NC/NO
dimensions(mm)							
b	43	46	46	52	64	65	71
D	107	127	142	162	192	216	272
h1	162	172	180	190	215	227	280
h2	81	88	96	106	133	145	180
H	162	162	162	162	184.3	184.3	211
H1	128	128	128	128	162	184.3	184.3
K	125	145	160	180	210	240	295
l	18	18	18	18	18	23	23
N	304	304	304	304	356.2	356.2	479
N1	182	182	182	182	233	356.2	356.2
O	60	60	60	60	64.3	64.3	83
O1	49	49	49	49	60	64.3	64.3
P	65	65	65	65	89.2	89.2	94
P1	53	53	53	53	65	89.2	89.2
S	36	56	71	88	109	138	190

Butterfly valve K 210, pneumatic [d63 - d225]

Technical data

PA-Line

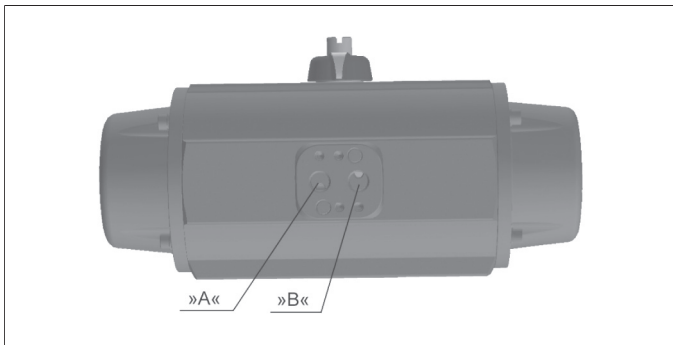
Option (to be ordered additionally if required)

limit switch unit; positioner; handwheel; pilot solenoid valve; AS Interface connection

actuator type	PA30S	PA25S
Function	NC/NO	NC/NO
Torque (start) at 6 bar(Nm)	289.3	170.6
Torque (end) at 6 bar(Nm)	195.5	108.2
Control volume (Opening)(Liter)	2.05	1.5
Manipulating time (Opening)(s)	1.2	0.8
Manipulating time (Closing)(s)	1.2	0.8
Control pressure connection(inch)	1/4	1/4
Weight(kg)	15.9	11.3

actuator type	PA25
Function	DA
Torque (start) at 6 bar(Nm)	290
Control volume (Opening)(Liter)	1.5
Control volume (Closing)(Liter)	2.02
Manipulating time (Opening)(s)	0.5
Manipulating time (Closing)(s)	0.5
Control pressure connection(inch)	1/4
Weight(kg)	9.3

Control pressure connection



Normally closed NC: control pressure to connection »B«, valve opens

Normally open NO: control pressure to connection »B«, valve closes

Double acting DA: control pressure to connection »A«, valve closes control pressure to connection »B«, valve opens

Control:

3/2-way solenoid valves for NC/NO actuators

5/2-way solenoid valves for DA actuators

Note:

The drives require a control pressure of 6 bar for optimum function. Malfunctions may occur, if the control pressure deviates. In this case, a new drive configuration is necessary.

Technical data

PP-Line

Option (to be ordered additionally if required)

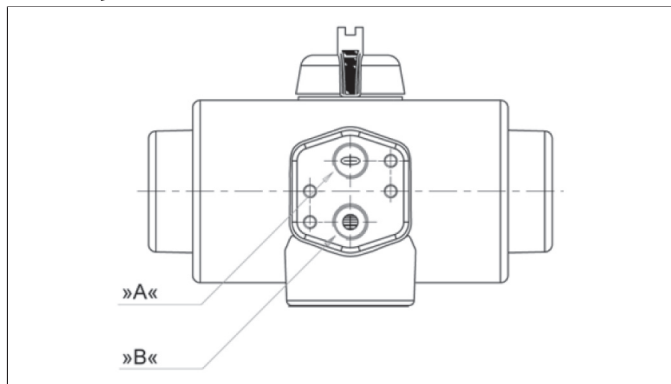
limit switch unit; positioner; handwheel; pilot solenoid valve; AS Interface connection

actuator type	PP20S
Function	NC/NO
Torque (start) at 6 bar(Nm)	103.3
Torque (end) at 6 bar(Nm)	64.2
Control volume (Opening)(Liter)	0.8
Manipulating time (Opening)(s)	0.5
Manipulating time (Closing)(s)	0.5
Control pressure connection(inch)	1/4
Weight(kg)	4.95

Butterfly valve K 210, pneumatic [d63 - d225]

actuator type	PP10	PP20
Function	DA	DA
Torque (start) at 6 bar(Nm)	71	165.5
Control volume (Opening)(Liter)	0.35	0.8
Control volume (Closing)(Liter)	0.32	0.7
Manipulating time (Opening)(s)	0.25	0.4
Manipulating time (Closing)(s)	0.25	0.4
Control pressure connection(inch)	1/4	1/4
Weight(kg)	1.41	2.94

Control pressure connection



Normally closed NC: control pressure to connection »B«, valve opens

Normally open NO: control pressure to connection »B«, valve closes

Double acting DA: control pressure to connection »A«, valve closes control pressure to connection »B«, valve opens

Control:

3/2-way solenoid valves for NC/NO actuators

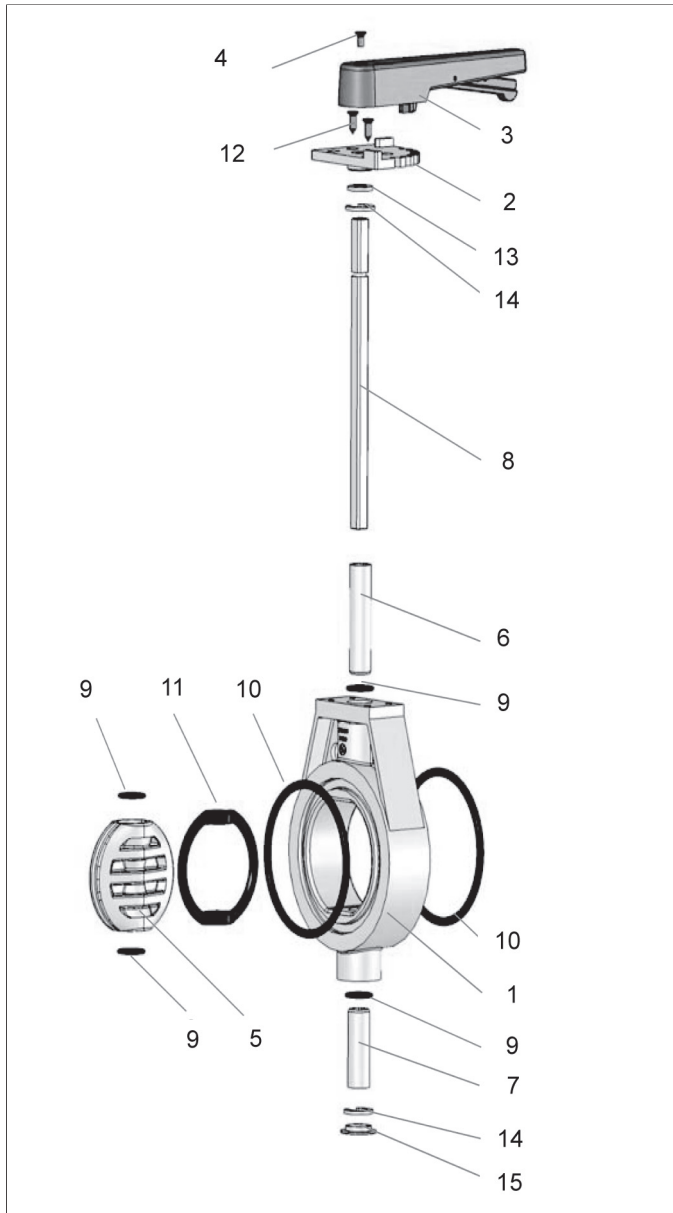
5/2-way solenoid valves for DA actuators

Note:

The drives require a control pressure of 6 bar for optimum function. Malfunctions may occur, if the control pressure deviates. In this case, a new drive configuration is necessary.

Butterfly valve K 210

Item Overview



position	quantity	designation
1	1	housing/body
2	1	engagement disc
3	1	hand lever
4	1	screw
5	1	shut-off disc
6	1	bearing bush
7	1	bearing bush
8	1	spindle
9	4	O-ring
10	2	O-ring
11	1	sealing
12	2	screw
13	1	disc
14	2	circlip
15	1	plug