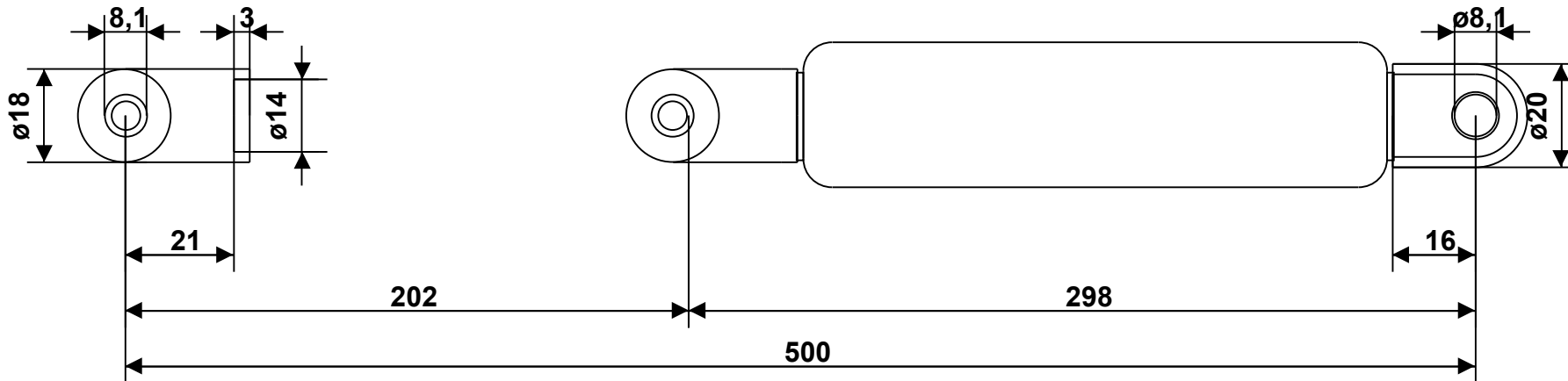
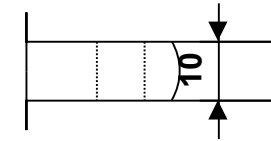
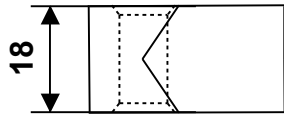


Hahn Part Number: G14-28ST#26453
G 14 28 0200 1 0500 AK21 AB16 01900N



Intended for internal use and customer / Tolerance of ext. length: +/- 2mm - Dimensions without tolerance: per DIN ISO 2768-1 -c (ISO 2768 -c) - For Information Only
 Force tolerance: F1 >= 1000N: +/- 5%; < 1000N: +/- 10%, min.: +/- 10N, max.: +/- 50N - Unregistered Copy, Print-out or file not subject to modification service.
 End fitting orientation is random and not represented by drawing unless specified - Observe disposal instructions - Not true to scale



Please note our technical instructions

Assembly/storing with piston rod down

13. Aug 2020

Auto-Printservice

No opening-no heating-high pressure

Made in Germany

Part

Dimension

Material / Surface

Fitting

Progr.:54,90 %

Drawing owned by Hahn Gasfedern GmbH

Piston rod

Ø14mm

steel, chrome plated

AK21 M10 Ø8.1 t=18 * ANS/M10/AUG/004

info@hahn-gasfedern.de

Cylinder

Ø28mm

Stahl,black (2k)

AB16 Ø8,1 t=10 * BG/28/AUG/001

www.hahn-gasfedern.de

Configuration ID : 10073826-