

MAIN FEATURES

Hollow shaft encoder series for small AC motors, thanks to compact size (only 35mm height).

- 3 channel encoder (A / B / Z) up to 2500 ppr
- Power supply up to +28 VDC with several electronic interfaces available
- Up to 300 kHz output frequency
- Cable output, connector available on cable end
- Through or blind hollow shaft diameter up to 15 mm
- Shaft fixing by collar clamping

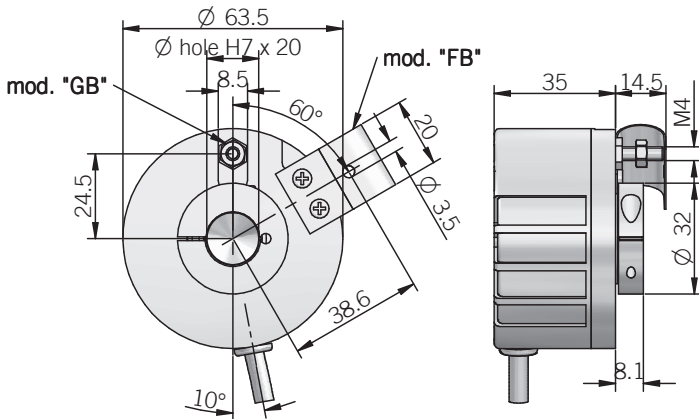


ORDERING CODE

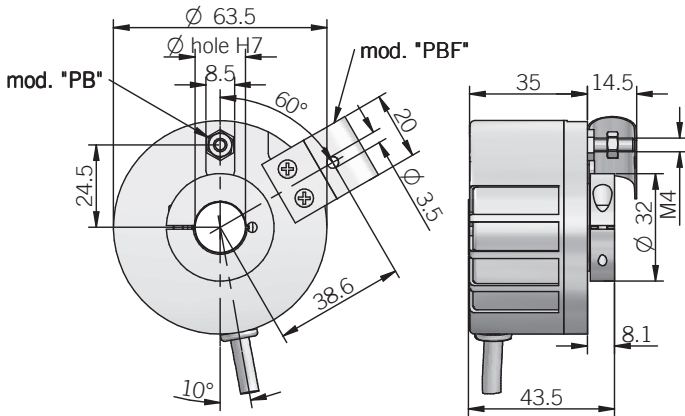
EL 63GB 500 S 5/28 N 8 X 3 P .XXX

SERIES incremental encoder EL																					
MODEL blind hollow shaft with spring 63FB blind hollow shaft with antirotation pin 63GB through hollow shaft with antirotation pin 63PB through hollow shaft with spring 63PBF rear fixing shaft with antirotation pin 63PC rear fixing shaft with spring 63PCF																					
RESOLUTION ppr from 1 to 2500 <i>see table for pulses availability</i>																					
ZERO PULSE without zero pulse S with zero pulse Z																					
POWER SUPPLY (with L electronic interface) 5 V DC 5 (with L or PC electronic interface) 8 ... 24 V DC 8/24 5 ... 28 V DC 5/28																					
ELECTRONIC INTERFACE NPN N NPN open collector C push-pull P (AEIC-7272) protected push-pull PC line driver L power supply 5/28V - output RS-422 RS																					
BORE DIAMETER mm 8 mm 10 mm 12 mm 14 mm 15																					
ENCLOSURE RATING IP 54 X																					
MAX ROTATION SPEED 3000 rpm 3																					
OUTPUT TYPE radial cable (standard length 1,5 m) PR																					
VARIANT custom version XXX																					

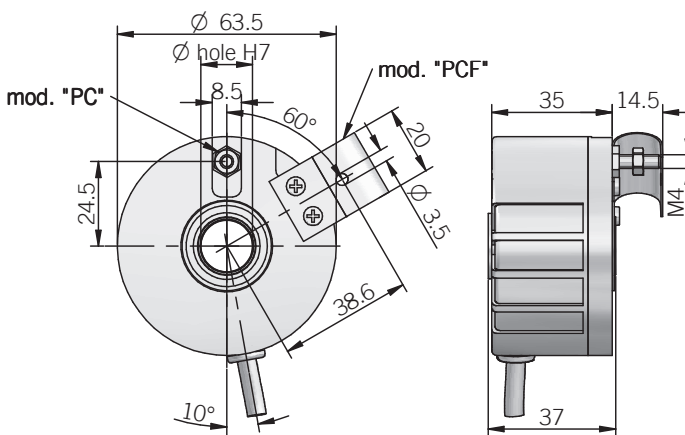
EL 63 FB / GB



EL 63 PB / PBF



EL 63 PC / PCF



anti-rotation pin is included in model GB / PB / PC, for mounting instruction please refer to product installation notes
dimensions in mm

ELECTRICAL SPECIFICATIONS

Resolution	from 1 to 2500 ppr
Power supply	5 = 4,5 ... 5,5 V DC 5/28 = 4,75 ... 29,4 V DC 8/24 = 7,6 ... 25,2 V DC (reverse polarity protection)
Power draw without load	800 mW
Max load current	N / C / P / PC = 50 mA / channel L / RS = 20 mA / channel
Output type*	NPN / NPN open collector / push-pull / line driver
Max output frequency	300 kHz
Counting direction	A leads B clockwise (shaft view)
Electromagnetic compatibility	IEC 61000-6-2 IEC 61000-6-4

*output levels according to power supply, for further details please see under Technical basics section

MECHANICAL SPECIFICATIONS

Bore diameter	ø 8 / 10 / 12 / 14 / 15 mm
Enclosure rating	IP 54 (IEC 60529)
Max rotation speed	3000 rpm
Shock	50 G, 11 ms (IEC 60068-2-27)
Vibration	10 G, 10 ... 2000 Hz (IEC 60068-2-6)
Moment of inertia	4 x 10 ⁻⁶ kgm ²
Starting torque (at +20°C / +68°F)	< 0,04 Nm
Body material	EN-AW 2011 aluminum
Shaft material	1.4305 / AISI 303 stainless steel
Housing material	PA 66 glass fiber reinforced
Bearings	2 ball bearings
Bearings life	10 ⁹ revolutions
Operating temperature	-10° ... +60 °C (+14° ... +140°F)
Storage temperature	-25° ... +70 °C (-13° ... +158°F)
Fixing torque for collar clamping	1,5 Nm recommended
Weight	350 g (12,35 oz)

CONNECTIONS

Function	Cable output N / C / P / PC	Cable output Line driver
+V DC	red	red
0 V	black	black
Ch. A	green	green
Ch. A-	/	brown
Ch. B	yellow	yellow
Ch. B-	/	orange
Ch. Z	blue	blue
Ch. Z-	/	white
⊥	shield	shield

RESOLUTIONS

1 - 2 - 5 - 20 - 25 - 32 - 50 - 60 - 100 - 128 - 200 - 250 - 256 - 360 - 400 - 500 - 512 - 600 - 720 - 1000 - 1024 - 1440 - 1800 - 2000 - 2048 - 2500

please directly contact our offices for other pulses, preferred resolutions in bold