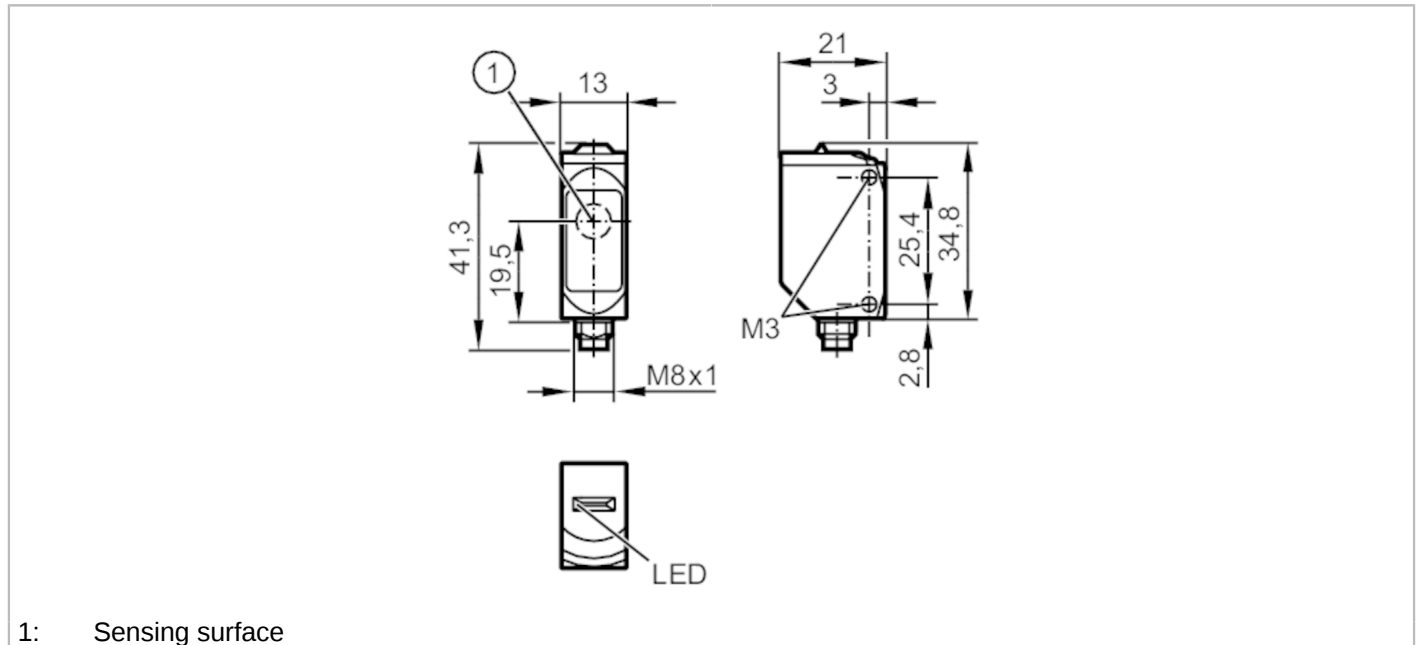


O6S305



Through-beam sensor transmitter

O6S-00KG/AS/4P



1: Sensing surface



Product characteristics

Type of light	red light
Housing	rectangular

Application

Function principle	Through-beam sensor
--------------------	---------------------

Electrical data

Operating voltage	[V]	10...30 DC
Current consumption	[mA]	11; ((24 V))
Protection class		III
Type of light		red light
Wave length	[nm]	633

Monitoring range

Transmitter / receiver		transmitter
Range	[m]	< 10
Max. light spot diameter	[mm]	300
Light spot dimensions refer to		at maximum range



Through-beam sensor transmitter

O6S-OOKG/AS/4P

Interfaces		
Communication interface	IO-Link	
Transmission type	COM2 (38,4 kBaud)	
IO-Link revision	1.1	
SDCI standard	IEC 61131-9	
Profiles	Smart Sensor: Device Identification	
SIO mode	yes	
Required master port class	A	
Min. process cycle time [ms]	2.5	
IO-Link process data (cyclical)	Function	bit length
	process value	8
IO-Link functions (acyclical)	application specific tag; operating hours counter; switching cycles counter	
Supported DeviceIDs	Type of operation	DeviceID
	default	420

Operating conditions		
Ambient temperature [°C]	-25...80	
Protection	IP 65; IP 67; IP 68; IP 69K	

Tests / approvals		
EMC	EN 60947-5-2	
MTTF [years]	1239	
UL approval	UL approval number	E011

Mechanical data		
Weight [g]	33.8	
Housing	rectangular	
Dimensions [mm]	34.8 x 13 x 21	
Material	housing: stainless steel (1.4404 / 316L); plastics: PPSU; sealing: EPDM	
Lens material	PMMA	
Lens alignment	Side sensing	

Displays / operating elements		
Display	Power	1 x LED, green

Remarks		
Remarks	cULus - Class 2 source required	
Pack quantity	1 pcs.	

Electrical connection

Connector: 1 x M8; coding: A

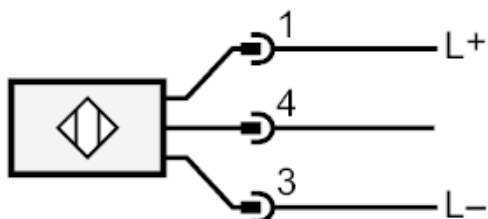




Through-beam sensor transmitter

O6S-00KG/AS/4P

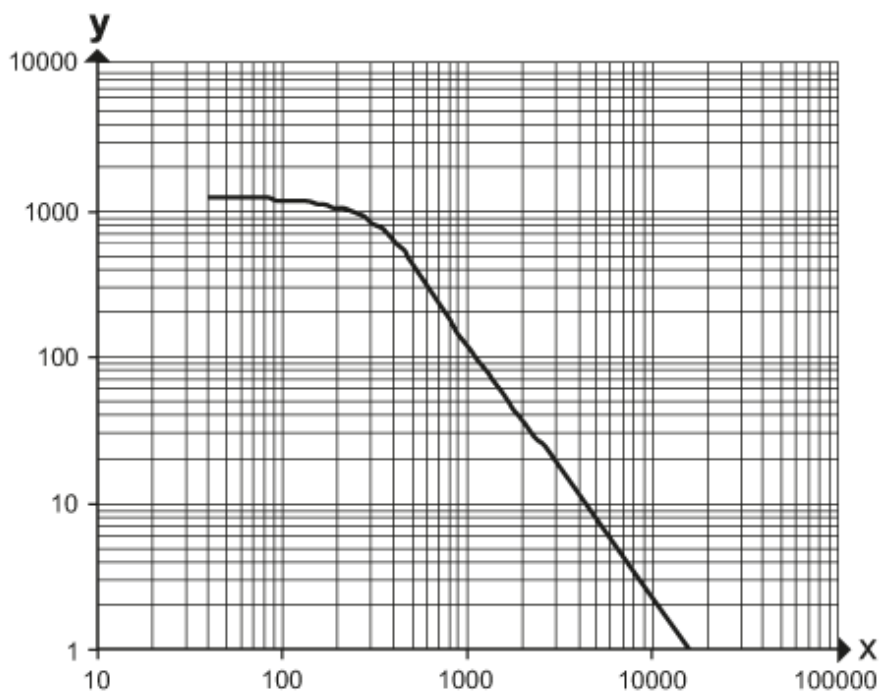
Connection



4 IO-Link

Diagrams and graphs

excess gain graph



x: distance [mm]

y: excess gain factor