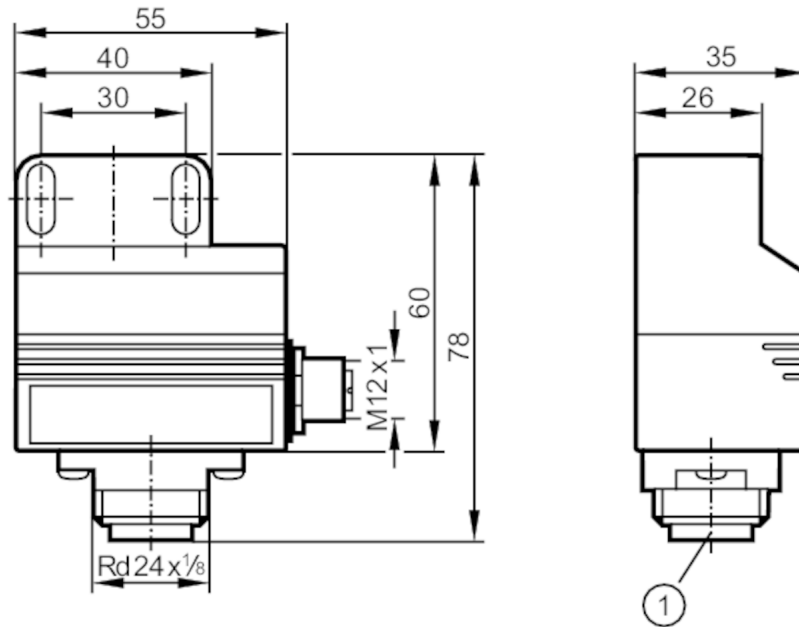


# IN5334



## Inductive dual sensor for valve actuators

IND3004DBPKG/T2



1 field connection



### Application

Application for actuators using standard ISO 5211 (VDI/VDE ) mounting

### Electrical data

Operating voltage	[V]	10...36 DC
Current consumption	[mA]	20; (36 V)
Protection class		III
Reverse polarity protection		yes

### Outputs

Electrical design		PNP
Output function		2 x normally open
Max. voltage drop switching output DC	[V]	2.5
Permanent current rating of switching output DC	[mA]	250
Switching frequency DC	[Hz]	1300
Short-circuit protection		yes
Type of short-circuit protection		pulsed
Overload protection		yes

### Detection zone

Sensing range	[mm]	4
Real sensing range Sr	[mm]	4 ± 10 %
Operating distance	[mm]	0...3.25

# IN5334



## Inductive dual sensor for valve actuators

IND3004DBPKG/T2

### Accuracy / deviations

Correction factor	steel: 1 / stainless steel: 0.7 / brass: 0.5 / aluminium: 0.4 / copper: 0.3	
Hysteresis [% of Sr]	3...15	
Switch point drift [% of Sr]	-10...10	

### Operating conditions

Ambient temperature [°C]	-25...80	
Protection	IP 67	

### Tests / approvals

EMC	EN 60947-5-2	
	EN 55011	class B
MTTF [years]	1296	
UL approval	Ta	0...40 °C
	Enclosure type	Type 1
	voltage supply	Hazardous voltage
	File number UL	E174191

### Mechanical data

Weight [g]	171	
Housing	rectangular	
Mounting	non-flush mountable	
Dimensions [mm]	40 x 26 x 60	
Materials	PBT; PC	

### Displays / operating elements

Display	switching status	2 x LED, yellow
---------	------------------	-----------------

### Accessories

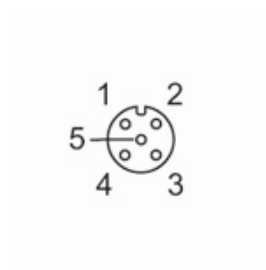
Accessories (supplied)	Reinforcement bracket	
	socket head screws: 2 x M5 x 35	
	washers: 2	

### Remarks

Remarks	Suitable valves: valves according to NAMUR interface up to max. 20 W	
Pack quantity	1 pcs.	

### Electrical connection - socket

Connector: 1 x M12



### Electrical connection - plug

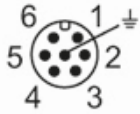
Connector: 1 x Rd24

# IN5334

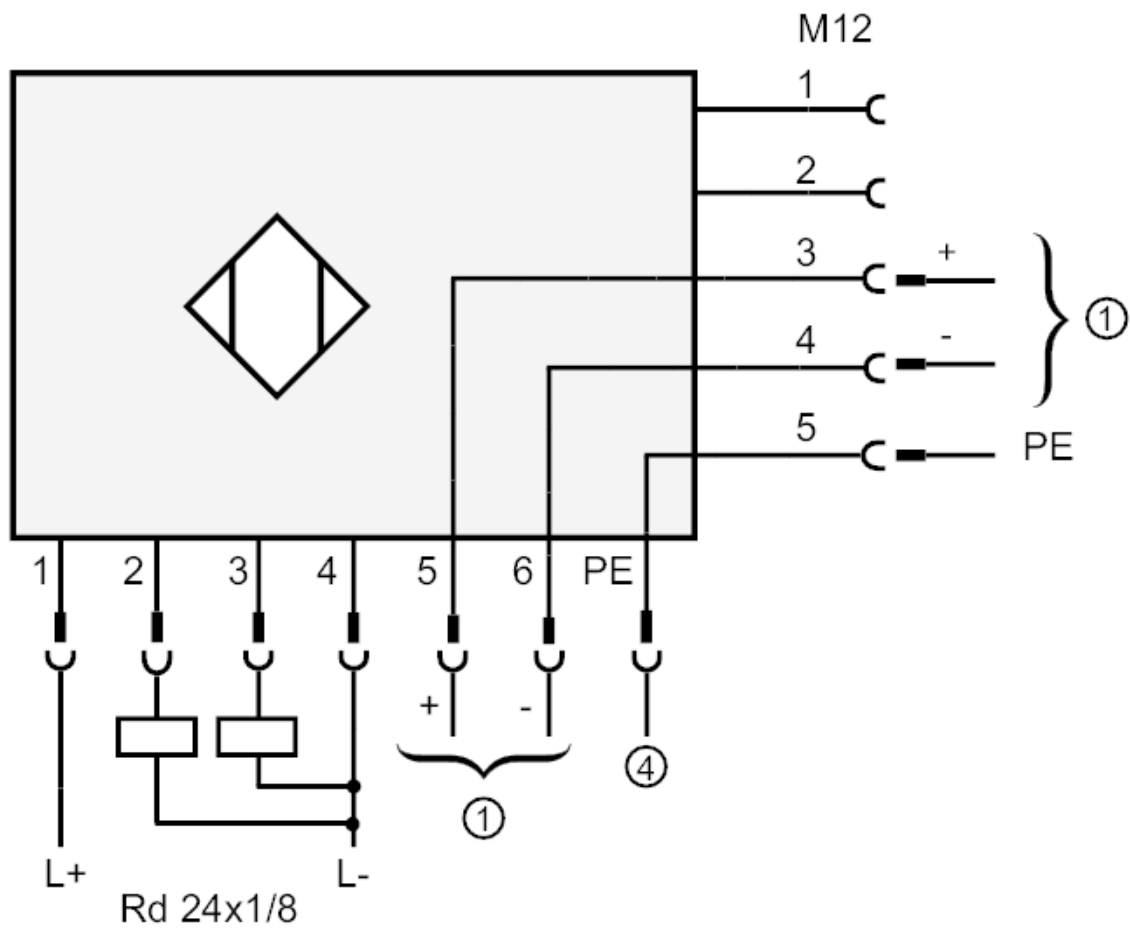


## Inductive dual sensor for valve actuators

IND3004DBPKG/T2



### Connection



1 = solenoid valve 24 V DC / 20 W