

Safety Valves

Type 06001 - gastight



Cryogenic Safety Valves, angle type, brass, PN63, type tested TÜV-SV.1048. S/G/L

Standard Safety Valve,
complete with carbon filled PTFE valve seal, closed bonnet, gastight
Outlet: female thread Rc 3/8 acc. to ISO 7/1
"cleaned and degreased for oxygen service"

Part No. 06001.X.0000

Inlet: male thread type R (BSPT) acc. to ISO 7/1

Part No. 06001.X.2000

Inlet: male thread type G (BSPP) acc. to ISO 228/1

Part No. 06001.X.5000

Inlet: male thread NPT acc. to ANSI B 1.20.1

Available options - on request only:

- with installed elbow at the outlet



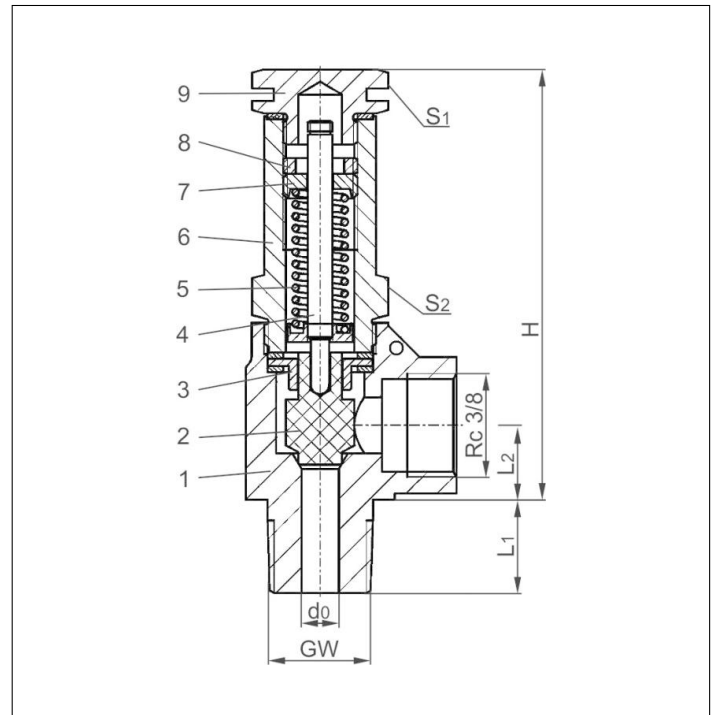
Applications:

Provided as safety device for protection against thermal expansion in pipeworks and parts of facilities.

Approved for air gases, vapours and cryogenic liquefied gases incl. LNG.

Working temperature: -196°C / -321°F (77K) up to +65°C / +149°F (338K), suitable for horizontal installation

Materials	DIN EN	ASME/ASTM
1 Body	CW617N	EN12165 CW617N Code Case 1750
2 Disc	PTFE / Carbon filled (25%)	
3 Guide plate	CW614N	EN12164 CW614N Code Case 1750
4 Stem	CW614N	EN12164 CW614N Code Case 1750
5 Spring	1.4571	A 313 Grade 316Ti
6 Bonnet	CW614N	EN12164 CW614N Code Case 1750
7 Spring clamp	CW614N	EN12164 CW614N Code Case 1750
8 Thread ring	CW614N	EN12164 CW614N Code Case 1750
9 Cap	CW614N	EN12164 CW614N Code Case 1750



Type 06001	Technical data			
Nominal size	GW	1/4	3/8	1/2
Orifice	d ₀	6.0	6.0	6.0
Dimension code	.X.	0200	0300	0400
Set pressure range	bar	5.0-55.0	5.0-55.0	5.0-55.0
Height	H	70	70	70
Length	L ₁	13	15	17
Length	L ₂	13	13	13
Wrench size across flats	S ₁	19	19	19
Wrench size across flats	S ₂	19	19	19
Weight	ca. kg	0.18	0.195	0.21
Coefficient of discharge	α _w	0.09	0.09	0.09

Dimensions in mm.

Safety Valves

Type 06001 - gastight



Discharge capacities

Calculation of flow rate acc. to AD2000-Merkblatt A2 / DIN EN ISO 4126-1

Medium:

Air in m³/h at 0°C and 1013.25 mbar

Water in kg/h

The capacity indicated below is for a fully opened valve.

d₀ - orifice

A₀ - flow area

Set pressure in bar (g)	GW	1/4, 3/8 & 1/2	1/4, 3/8 & 1/2
	d ₀ (mm)	6.0	6.0
	A ₀ (mm ²)	28.3	28.3
Medium	Air	Water	
5.0	11	304	
6.0	13	333	
7.0	15	360	
8.0	17	384	
9.0	19	408	
10.0	21	430	
12.0	25	471	
14.0	29	508	
16.0	33	544	
18.0	36	577	
20.0	41	608	
22.0	45	637	
24.0	48	666	
26.0	52	693	
28.0	56	719	
30.0	61	744	
32.0	65	769	
34.0	68	792	
36.0	72	815	
38.0	76	838	
40.0	81	859	
42.0	85	881	
44.0	89	901	
46.0	93	922	
48.0	97	941	
50.0	102	961	
52.0	106	980	
54.0	110	999	
55.0	112	1008	