

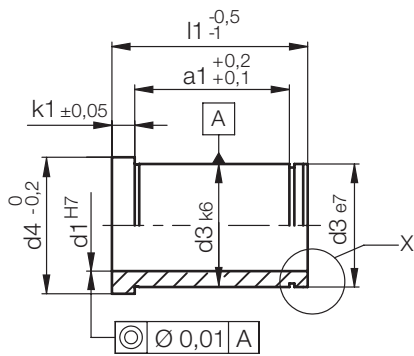
# Z11/...

Führungsbuchse, ohne Zentrieransatz  
 Guide bush, headed  
 Bague de guidage, sans plot de centrage

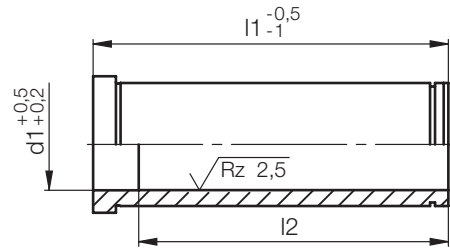
Mat.: ≈ 1.0401/690 + 70 HV 30  
 ≈ DIN 16716-E



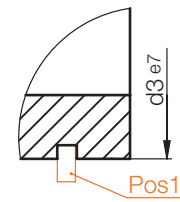
1



Typ 1



Typ 2

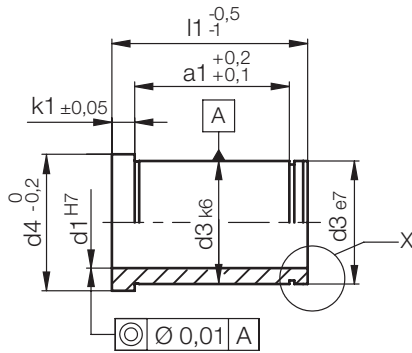


| Pos1       | Typ | k1 | a1   | l2 | d4 | d3 | l1 | d1 | Nr./No.    |
|------------|-----|----|------|----|----|----|----|----|------------|
| -          | 1   | 3  | -    | 9  | 16 | 14 | 9  | 9  | Z11/ 9x 9  |
| Z67/14x1   | 1   | 3  | 5,5  | 12 | 16 | 14 | 12 | 9  | 12         |
|            |     |    | 10,5 | 17 |    |    | 17 |    | 17         |
|            |     |    | 15,5 | 22 |    |    | 22 |    | 22         |
|            |     |    | 20,5 | 27 |    |    | 27 |    | 27         |
|            |     |    | 29,5 | 36 |    |    | 36 |    | 36         |
|            |     |    | 39,5 | 46 |    |    | 46 |    | 46         |
|            |     |    | 49,5 | 56 |    |    | 56 |    | 56         |
| -          | 2   | 3  | 59,5 | 66 | 66 | 66 | 66 |    |            |
| -          | 1   | -  | -    | 9  | -  | -  | 9  | 10 | Z11/ 9x10  |
| Z67/14x1   | 1   | -  | 5,5  | 12 | -  | -  | 12 | 10 | 12         |
|            |     |    | 10,5 | 17 |    |    | 17 |    | 17         |
|            |     |    | 15,5 | 22 |    |    | 22 |    | 22         |
|            |     |    | 20,5 | 27 |    |    | 27 |    | 27         |
|            |     |    | 29,5 | 36 |    |    | 36 |    | 36         |
|            |     |    | 39,5 | 46 |    |    | 46 |    | 46         |
|            |     |    | 49,5 | 56 |    |    | 56 |    | 56         |
| -          | 2   | -  | 59,5 | 66 | 66 | 66 | 66 |    |            |
| -          | 1   | 6  | -    | 12 | 23 | 18 | 12 | 12 | Z11/ 12x12 |
| Z67/18x1,2 | 1   | 6  | 7    | 17 | 23 | 18 | 17 | 12 | 17         |
|            |     |    | 12   | 22 |    |    | 22 |    | 22         |
|            |     |    | 17   | 27 |    |    | 27 |    | 27         |
|            |     |    | 26   | 36 |    |    | 36 |    | 36         |
|            |     |    | 36   | 46 |    |    | 46 |    | 46         |
|            |     |    | 46   | 56 |    |    | 56 |    | 56         |
|            |     |    | 56   | 66 |    |    | 66 |    | 66         |
| -          | 2   | 6  | 66   | 76 | 76 | 76 | 76 |    |            |
| -          | 1   | -  | -    | 12 | 25 | 20 | 12 | 14 | Z11/ 12x14 |
| Z67/20x1,2 | 1   | -  | 7    | 17 | 25 | 20 | 17 | 14 | 17         |
|            |     |    | 12   | 22 |    |    | 22 |    | 22         |
|            |     |    | 17   | 27 |    |    | 27 |    | 27         |
|            |     |    | 26   | 36 |    |    | 36 |    | 36         |
|            |     |    | 36   | 46 |    |    | 46 |    | 46         |
|            |     |    | 46   | 56 |    |    | 56 |    | 56         |
|            |     |    | 56   | 66 |    |    | 66 |    | 66         |
| -          | 2   | -  | 66   | 76 | 76 | 76 | 76 |    |            |

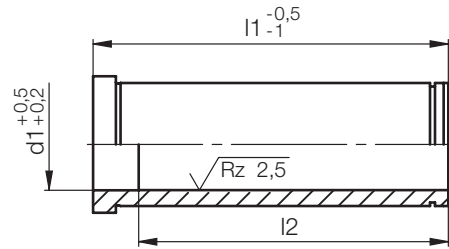
# Z11/...

Führungsbuchse, ohne Zentrieransatz  
 Guide bush, headed  
 Bague de guidage, sans plot de centrage

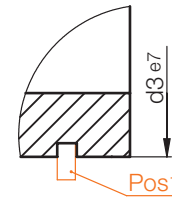
Mat.: ≈ 1.0401/690 + 70 HV 30  
 ≈ DIN 16716-E



Typ 1



Typ 2



| Pos1       | Typ        | k1 | a1         | l2 | d4 | d3 | l1  | d1 | Nr./No.    |            |
|------------|------------|----|------------|----|----|----|-----|----|------------|------------|
| Z67/20x1,2 | 2          | 6  | 76         | 56 | 25 | 20 | 86  | 14 | Z11/ 86x14 |            |
|            |            |    | 86         |    |    |    | 96  |    | 96         |            |
|            |            |    | 106        |    |    |    | 116 |    | 116        |            |
| -          | 1          |    | -          | 12 |    |    | 12  | 15 | Z11/ 12x15 |            |
|            |            |    | 7          | 17 |    |    | 17  |    | 17         |            |
|            |            |    | 12         | 22 |    |    | 22  |    | 22         |            |
|            |            |    | 17         | 27 |    |    | 27  |    | 27         |            |
|            |            |    | 26         | 36 |    |    | 36  |    | 36         |            |
|            |            |    | 36         | 46 |    |    | 46  |    | 46         |            |
|            |            |    | 46         | 56 |    |    | 56  |    | 56         |            |
|            | Z67/20x1,2 | 2  |            | 56 |    |    |     | 66 |            | 66         |
|            |            |    |            | 66 |    |    |     | 76 |            | 76         |
|            |            |    |            | 76 |    |    |     | 86 |            | 86         |
|            |            |    |            | 86 |    |    |     | 96 |            | 96         |
| Z67/22x1,2 | 1          |    | 7          | 17 | 27 | 22 | 17  | 16 | Z11/ 17x16 |            |
|            |            |    | 12         | 22 |    |    | 22  |    | 22         |            |
|            |            |    | 17         | 27 |    |    | 27  |    | 27         |            |
|            |            |    | 26         | 36 |    |    | 36  |    | 36         |            |
|            |            |    | 36         | 46 |    |    | 46  |    | 46         |            |
|            |            |    | 46         | 56 |    |    | 56  |    | 56         |            |
|            |            |    | Z67/22x1,2 | 2  |    |    |     |    | 56         |            |
|            | 66         | 76 |            |    | 76 |    |     |    |            |            |
|            | 76         | 86 |            |    | 86 |    |     |    |            |            |
|            | 86         | 96 |            |    | 96 |    |     |    |            |            |
|            | Z67/26x1,2 | 1  |            | 7  | 17 | 31 | 26  | 17 | 18         | Z11/ 17x18 |
| 12         |            |    |            | 22 | 22 |    |     | 22 |            |            |
| 17         |            |    |            | 27 | 27 |    |     | 27 |            |            |
| 26         |            |    |            | 36 | 36 |    |     | 36 |            |            |
| 36         |            |    |            | 46 | 46 |    |     | 46 |            |            |
| 46         |            |    |            | 56 | 56 |    |     | 56 |            |            |
| 56         |            |    |            | 66 | 66 |    |     | 66 |            |            |
| 66         |            |    |            | 76 | 76 |    |     | 76 |            |            |
| Z67/26x1,2 |            | 2  |            | 76 |    |    |     | 86 |            | 86         |

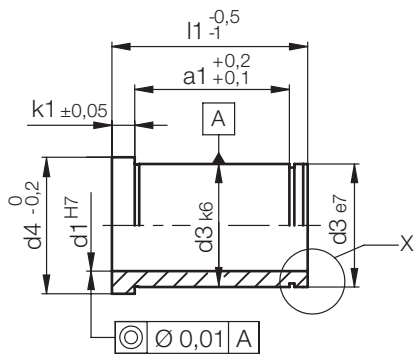
# Z11/...

Führungsbuchse, ohne Zentrieransatz  
 Guide bush, headed  
 Bague de guidage, sans plot de centrage

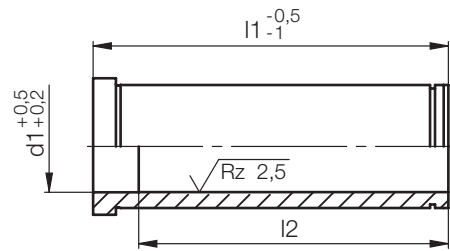
Mat.: ≈ 1.0401/690 + 70 HV 30  
 ≈ DIN 16716-E



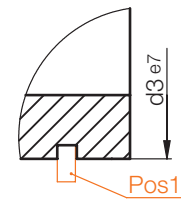
1



Typ 1



Typ 2

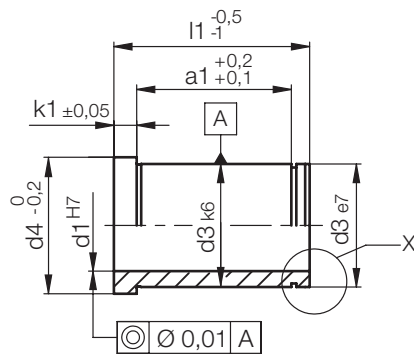


| Pos1       | Typ | k1         | a1  | l2  | d4 | d3 | l1  | d1         | Nr./No.    |     |
|------------|-----|------------|-----|-----|----|----|-----|------------|------------|-----|
| Z67/26x1,2 | 2   | 6          | 86  | 76  | 31 | 26 | 96  | 18         | Z11/ 96x18 |     |
|            |     |            | 106 |     |    |    | 116 |            | 116        |     |
|            |     |            | 126 |     |    |    | 136 |            | 136        |     |
|            | 1   |            | 7   | 17  |    |    | 17  | 20         | Z11/ 17x20 |     |
|            |     |            | 12  | 22  |    |    | 22  |            | 22         |     |
|            |     |            | 17  | 27  |    |    | 27  |            | 27         |     |
|            |     |            | 26  | 36  |    |    | 36  |            | 36         |     |
|            |     |            | 36  | 46  |    |    | 46  |            | 46         |     |
|            |     |            | 46  | 56  |    |    | 56  |            | 56         |     |
|            |     |            | 56  | 66  |    |    | 66  |            | 66         |     |
|            |     |            | 66  | 76  |    |    | 76  |            | 76         |     |
|            |     |            | 2   | 76  |    |    | 76  |            | 86         | 86  |
|            |     |            |     | 86  |    |    |     |            | 96         | 96  |
|            |     |            |     | 106 |    |    |     |            | 116        | 116 |
| 126        | 136 | 136        |     |     |    |    |     |            |            |     |
| -          | 1   | -          | 17  | 35  | 30 | 17 | 22  | Z11/ 17x22 |            |     |
|            |     | Z67/30x1,5 | 11  |     |    | 22 |     | 22         | 22         |     |
|            |     | 16         | 27  |     |    | 27 |     | 27         |            |     |
|            |     | 25         | 36  |     |    | 36 |     | 36         |            |     |
|            |     | 35         | 46  |     |    | 46 |     | 46         |            |     |
|            |     | 45         | 56  |     |    | 56 |     | 56         |            |     |
|            |     | 55         | 66  |     |    | 66 |     | 66         |            |     |
|            |     | 65         | 76  |     |    | 76 |     | 76         |            |     |
|            |     | 75         | 86  |     |    | 86 |     | 86         |            |     |
|            |     | 85         | 96  |     |    | 96 |     | 96         |            |     |
|            |     | 2          | 105 |     |    | 96 |     | 116        | 116        |     |
|            |     |            | 125 |     |    |    |     | 136        | 136        |     |
|            |     |            | 145 |     |    |    |     | 156        | 156        |     |
|            |     | -          | 1   |     |    | -  |     | 17         | 35         | 30  |
| Z67/30x1,5 | 11  |            |     | 22  | 22 | 22 |     |            |            |     |
| 16         | 27  |            |     | 27  | 27 |    |     |            |            |     |
| 25         | 36  |            |     | 36  | 36 |    |     |            |            |     |
| 35         | 46  |            |     | 46  | 46 |    |     |            |            |     |
| 45         | 56  |            |     | 56  | 56 |    |     |            |            |     |

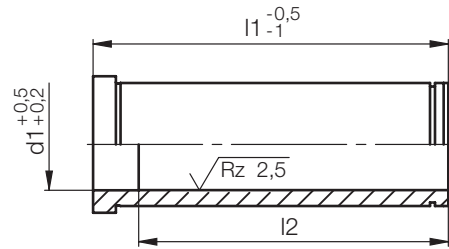
# Z11/...

Führungsbuchse, ohne Zentrieransatz  
 Guide bush, headed  
 Bague de guidage, sans plot de centrage

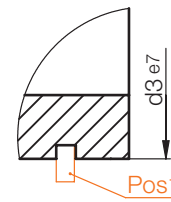
Mat.: ≈ 1.0401/690 + 70 HV 30  
 ≈ DIN 16716-E



Typ 1



Typ 2



Pos1

| Pos 1       | Typ | k1  | a1  | l2 | d4 | d3  | l1  | d1         | Nr./No.    |     |     |
|-------------|-----|-----|-----|----|----|-----|-----|------------|------------|-----|-----|
| Z67/30x1,5  | 1   | 6   | 55  | 66 | 35 | 30  | 66  | 24         | Z11/ 66x24 |     |     |
|             |     |     | 65  | 76 |    |     | 76  |            | 76         |     |     |
|             |     |     | 75  | 86 |    |     | 86  |            | 86         |     |     |
|             |     |     | 85  | 96 |    |     | 96  |            | 96         |     |     |
|             | 2   |     | 105 | 96 |    |     | 116 |            | 116        | 116 | 116 |
|             |     |     | 125 |    |    |     | 136 |            | 136        | 136 |     |
|             |     |     | 145 |    |    |     | 156 |            | 156        | 156 |     |
| Z67/42x1,75 | 1   | -   | 22  | 47 | 42 | 22  | 30  | Z11/ 22x30 |            |     |     |
|             |     | 14  | 27  |    |    | 27  |     | 27         |            |     |     |
|             |     | 23  | 36  |    |    | 36  |     | 36         |            |     |     |
|             |     | 33  | 46  |    |    | 46  |     | 46         |            |     |     |
|             |     | 43  | 56  |    |    | 56  |     | 56         |            |     |     |
|             |     | 53  | 66  |    |    | 66  |     | 66         |            |     |     |
|             |     | 63  | 76  |    |    | 76  |     | 76         |            |     |     |
|             |     | 73  | 86  |    |    | 86  |     | 86         |            |     |     |
|             |     | 83  | 96  |    |    | 96  |     | 96         |            |     |     |
|             |     | 103 | 116 |    |    | 116 |     | 116        |            |     |     |
|             | 2   | 123 | 116 |    |    | 136 |     | 136        | 136        | 136 |     |
|             |     | 143 |     |    |    | 156 |     | 156        | 156        |     |     |
|             |     | 163 |     |    |    | 176 |     | 176        | 176        |     |     |
|             |     | 183 |     |    |    | 196 |     | 196        | 196        |     |     |
|             |     | -   |     |    |    | 22  |     | 22         | 22         | 22  |     |
| Z67/42x1,75 | 1   | 14  | 27  | 47 | 42 | 27  | 32  | Z11/ 22x32 |            |     |     |
|             |     | 23  | 36  |    |    | 36  |     | 36         |            |     |     |
|             |     | 33  | 46  |    |    | 46  |     | 46         |            |     |     |
|             |     | 43  | 56  |    |    | 56  |     | 56         |            |     |     |
|             |     | 53  | 66  |    |    | 66  |     | 66         |            |     |     |
|             |     | 63  | 76  |    |    | 76  |     | 76         |            |     |     |
|             |     | 73  | 86  |    |    | 86  |     | 86         |            |     |     |
|             |     | 83  | 96  |    |    | 96  |     | 96         |            |     |     |
|             |     | 103 | 116 |    |    | 116 |     | 116        |            |     |     |
|             |     | 2   | 123 |    |    | 116 |     | 136        | 136        | 136 | 136 |
|             | 143 |     | 156 |    |    |     |     | 156        | 156        |     |     |
|             | 163 |     | 176 |    |    |     |     | 176        | 176        |     |     |
|             | 183 |     | 196 |    |    |     |     | 196        | 196        |     |     |
|             | -   |     | 22  |    |    |     |     | 22         | 22         | 22  |     |

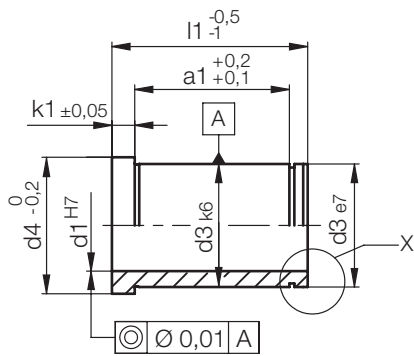
# Z11/...

Führungsbuchse, ohne Zentrieransatz  
 Guide bush, headed  
 Bague de guidage, sans plot de centrage

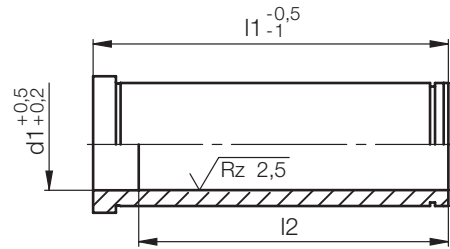
Mat.: ≈ 1.0401/690 + 70 HV 30  
 ≈ DIN 16716-E



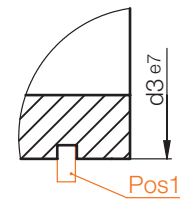
1



Typ 1



Typ 2

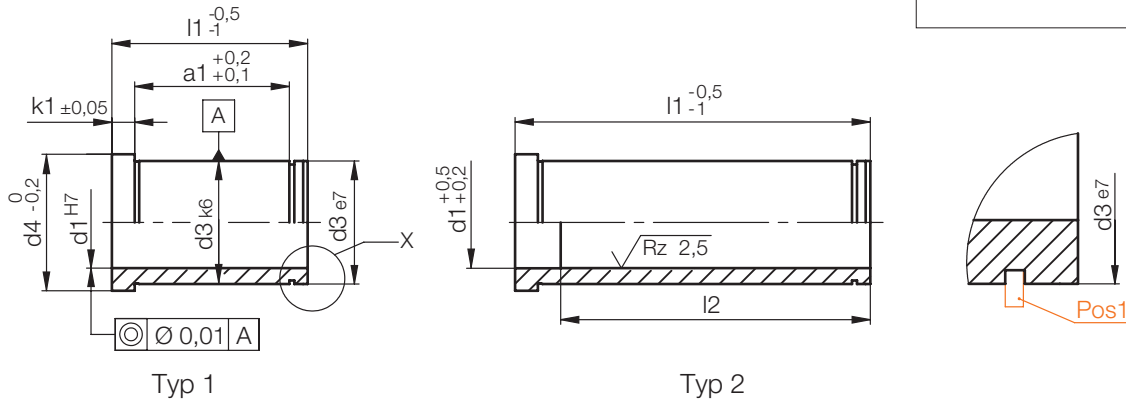


| Pos1        | Typ        | k1  | a1  | l2  | d4  | d3 | l1         | d1 | Nr./No.     |            |
|-------------|------------|-----|-----|-----|-----|----|------------|----|-------------|------------|
| Z67/42x1,75 | 2          | 6   | 183 | 116 | 47  | 42 | 196        | 32 | Z11/ 196x32 |            |
| Z67/54x2    | 1          | 10  | 18  | 36  | 60  | 54 | 36         | 40 | Z11/ 36x40  |            |
|             |            |     | 28  | 46  |     |    | 46         |    | 46          |            |
|             |            |     | 38  | 56  |     |    | 56         |    | 56          |            |
|             |            |     | 48  | 66  |     |    | 66         |    | 66          |            |
|             |            |     | 58  | 76  |     |    | 76         |    | 76          |            |
|             |            |     | 68  | 86  |     |    | 86         |    | 86          |            |
|             |            |     | 78  | 96  |     |    | 96         |    | 96          |            |
|             |            |     | 98  | 116 |     |    | 116        |    | 116         |            |
|             |            |     | 118 | 136 |     |    | 136        |    | 136         |            |
|             |            |     | 138 |     |     |    | 156        |    | 156         |            |
|             | 2          | 158 |     | 176 | 176 |    |            |    |             |            |
|             |            | 178 |     | 196 | 196 |    |            |    |             |            |
|             |            | 198 |     | 216 | 216 |    |            |    |             |            |
|             |            | 218 |     | 236 | 236 |    |            |    |             |            |
|             |            | 228 |     | 246 | 246 |    |            |    |             |            |
|             |            | 1   | 18  | 36  | 36  | 42 | Z11/ 36x42 |    |             |            |
|             |            |     | 28  | 46  | 46  |    | 46         |    |             |            |
|             |            |     | 38  | 56  | 56  |    | 56         |    |             |            |
|             |            |     | 48  | 66  | 66  |    | 66         |    |             |            |
|             |            |     | 58  | 76  | 76  |    | 76         |    |             |            |
| 68          | 86         |     | 86  | 86  |     |    |            |    |             |            |
| 78          | 96         |     | 96  | 96  |     |    |            |    |             |            |
| 98          | 116        |     | 116 | 116 |     |    |            |    |             |            |
| 118         | 136        |     | 136 | 136 |     |    |            |    |             |            |
| 138         |            |     | 156 | 156 |     |    |            |    |             |            |
| 2           | 158        |     | 176 | 176 |     |    |            |    |             |            |
|             | 178        |     | 196 | 196 |     |    |            |    |             |            |
|             | 198        |     | 216 | 216 |     |    |            |    |             |            |
|             | 218        |     | 236 | 236 |     |    |            |    |             |            |
|             | 228        |     | 246 | 246 |     |    |            |    |             |            |
|             | Z67/65x2,5 | 1   |     | 38  | 56  | 72 | 66         | 56 | 50          | Z11/ 56x50 |
|             |            |     |     | 48  | 66  |    |            | 66 |             | 66         |
|             |            |     |     | 58  | 76  |    |            | 76 |             | 76         |

# Z11/...

Führungsbuchse, ohne Zentrieransatz  
 Guide bush, headed  
 Bague de guidage, sans plot de centrage

Mat.: ≈ 1.0401/690 + 70 HV 30  
 ≈ DIN 16716-E



| Pos 1      | Typ | k1         | a1  | l2  | d4  | d3  | l1  | d1 | Nr./No.    |    |
|------------|-----|------------|-----|-----|-----|-----|-----|----|------------|----|
| Z67/65x2,5 | 1   | 10         | 68  | 86  | 72  | 66  | 86  | 50 | Z11/ 86x50 |    |
|            |     |            | 78  | 96  |     |     | 96  |    | 96         |    |
|            |     |            | 98  | 116 |     |     | 116 |    | 116        |    |
|            |     |            | 118 | 136 |     |     | 136 |    | 136        |    |
|            | 2   | 138        |     | 156 | 156 |     |     |    |            |    |
|            |     | 158        |     | 176 | 176 |     |     |    |            |    |
|            |     | 178        |     | 196 | 196 |     |     |    |            |    |
|            |     | 198        |     | 216 | 216 |     |     |    |            |    |
|            |     | 218        |     | 236 | 236 |     |     |    |            |    |
|            |     | 228        |     | 246 | 246 |     |     |    |            |    |
|            |     | 1          | 38  | 56  | 56  |     | 56  |    |            |    |
|            |     |            | 48  | 66  | 66  |     | 66  |    |            |    |
|            | 58  |            | 76  | 76  | 76  |     |     |    |            |    |
|            | 68  |            | 86  | 86  | 86  |     |     |    |            |    |
|            | 78  |            | 96  | 96  | 96  |     |     |    |            |    |
|            | 98  |            | 116 | 116 | 116 |     |     |    |            |    |
|            | 118 |            | 136 | 136 | 136 |     |     |    |            |    |
|            | 2   |            | 138 |     | 156 |     | 156 |    |            |    |
|            |     | 158        |     | 176 | 176 |     |     |    |            |    |
|            |     | 178        |     | 196 | 196 |     |     |    |            |    |
|            |     | 198        |     | 216 | 216 |     |     |    |            |    |
|            |     | 218        |     | 236 | 236 |     |     |    |            |    |
|            |     | 228        |     | 246 | 246 |     |     |    |            |    |
|            |     | Z67/80x2,5 | 1   | 20  | 68  |     | 96  |    | 86         | 80 |
| 88         |     |            |     |     | 116 | 116 | 116 |    |            |    |
| 108        | 136 |            |     |     | 136 | 136 |     |    |            |    |
| 2          | 128 |            |     | 156 | 156 |     |     |    |            |    |
|            | 168 |            |     | 196 | 196 |     |     |    |            |    |
|            | 218 |            |     | 246 | 246 |     |     |    |            |    |
|            |     |            |     |     |     |     |     |    |            |    |
|            |     |            |     |     |     |     |     |    |            |    |