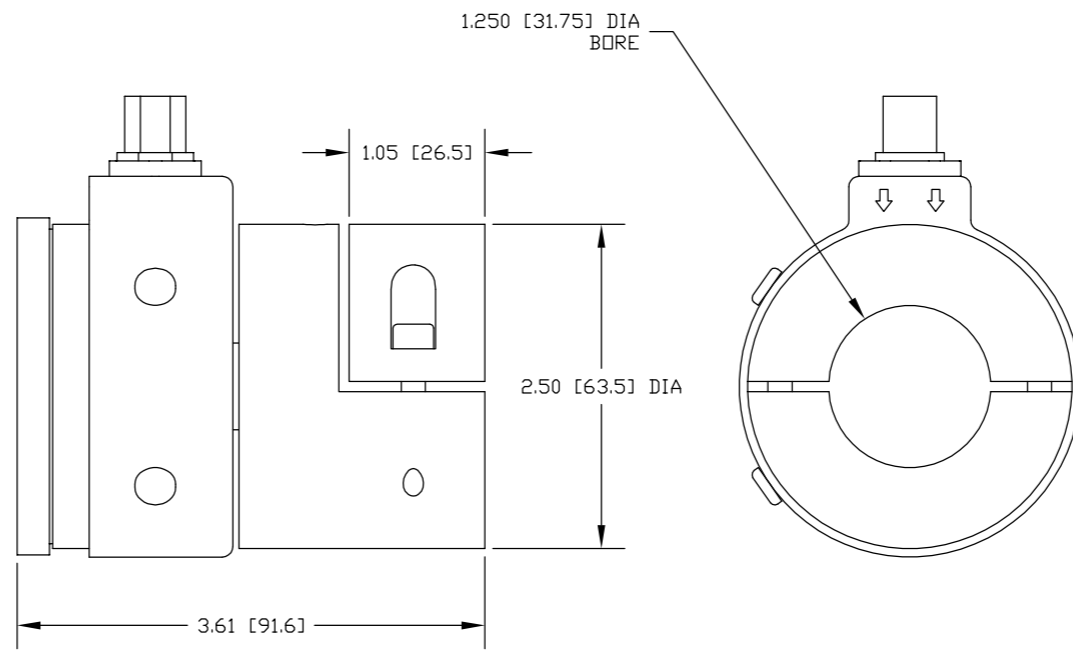
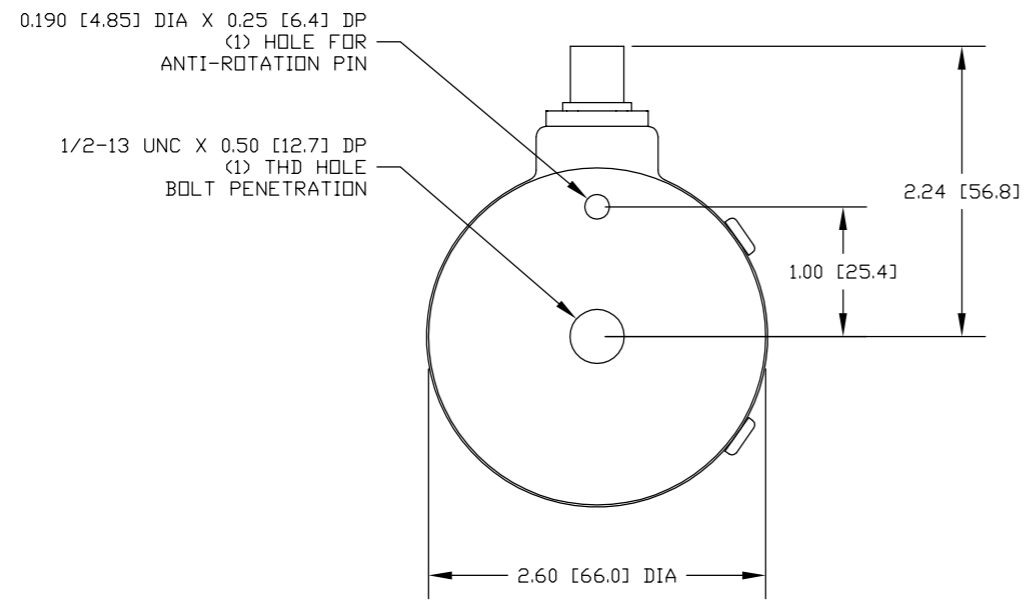
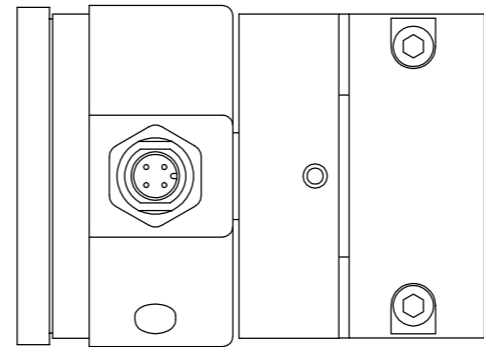


MAGPOWR INSTALLATION DRAWING  
 FOR FURTHER ASSISTANCE,  
 PLEASE CONTACT MAGPOWR AT  
 800-624-7697  
 WEB SITE: WWW.MAGPOWR.COM  
 E-MAIL: MAGPOWR@MAGPOWR.COM



TOLERANCES: UNLESS OTHERWISE SPECIFIED INCHES .X = ±.1 .XX = ±.03 .XXX = ±.010 FRACTIONS = STOCK SIZE SURFACE FINISH EXPOSED 250 AA DE-BURR ALL EDGES 0.020 [0.5] MAX		This drawing is the property of FIFE CORPORATION. It is loaned with the understanding that it may not be reproduced nor may the information contained herein be used for the making of drawings or for manufacturing purposes without the written consent of FIFE CORPORATION. GEOMETRICAL SYMBOLS PER ANSI Y14.5M UNLESS OTHERWISE SPECIFIED STANDARD SHOP PRACTICES AND STANDARD SHOP RUN TOLERANCES PER DRAWING 40400		LOCATION OK
---	--	--	--	----------------

SYM	REVISION	BY	DATE	APVD
		LZ	03/29/12	
		JGR	04/04/12	
		JGR	04/04/12	

222 WEST MEMORIAL ROAD  
 OKLAHOMA CITY, OK 73114  
 TEL: 405.755.1600  
 FAX: 405.755.8425  
 WWW.MAXCESSINTL.COM

DRAWING REFERENCE NUMBER UNLESS OTHERWISE SPECIFIED INCHES .X = ±.1 .XX = ±.03 .XXX = ±.010 FRACTIONS = STOCK SIZE SURFACE FINISH EXPOSED 250 AA DE-BURR ALL EDGES 0.020 [0.5] MAX		This drawing is the property of FIFE CORPORATION. It is loaned with the understanding that it may not be reproduced nor may the information contained herein be used for the making of drawings or for manufacturing purposes without the written consent of FIFE CORPORATION. GEOMETRICAL SYMBOLS PER ANSI Y14.5M UNLESS OTHERWISE SPECIFIED STANDARD SHOP PRACTICES AND STANDARD SHOP RUN TOLERANCES PER DRAWING 40400		LOCATION OK
--	--	--	--	----------------

THIRD ANGLE PROJECTION  
 DIMENSIONS ARE SHOWN IN INCHES (mm) UNLESS OTHERWISE NOTED

SCALE	SIZE	DRAWING NO.	SHEET NO.	REV
FULL	C	TS150SC-EC12	1 OF 1	