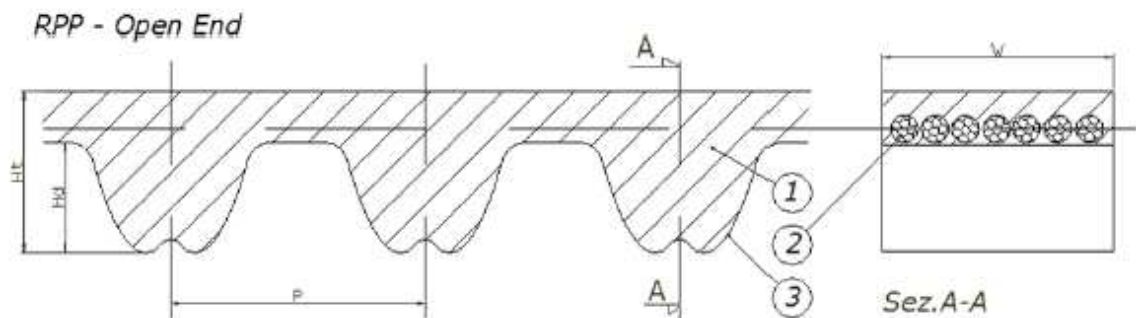


RPP8 M30 STEEL

RUBBER OPEN END BELTS WITH STEEL CORDS – TECHNICAL DATASHEET.



Profile Main Dimensions (1)

Belt Pitch (P)	[mm]	8,0	
Tooth Profile		RPP	
Tooth Root (S)	[mm]	5,30	± 0,15
Tooth Height (Hd)	[mm]	3,2	± 0,15
Belt Height (Ht)	[mm]	5,40	± 0,25
Belt Width (W)	[mm]	30	± 0,8

Belt Structure

1 Fabric	material		Polyamide
2 Body Compound	material		EPDM based
	Hardness	ShA	90 ± 4
3 Tensile Cord	material		Steel
		Nr.	16

Mechanical Properties (2)

Linear weight	[gr/m]	198,2
Tooth Shear Resistance	[N]	3.304,6
	[N / mm]	110,2
(3) Breaking Load	[N]	27.252,7
(3) Elongation at break	%	4,14
Cord Breaking Load	[N]	1.703,2

Notes:

- (1) Any other profile dimension not specifically mentioned, it's according to ISO13050, belt type R.
- (2) Lab. tests made in accordance with ISO 12046 methods.
- (3) Breaking / Elongation diagram enclosed.