

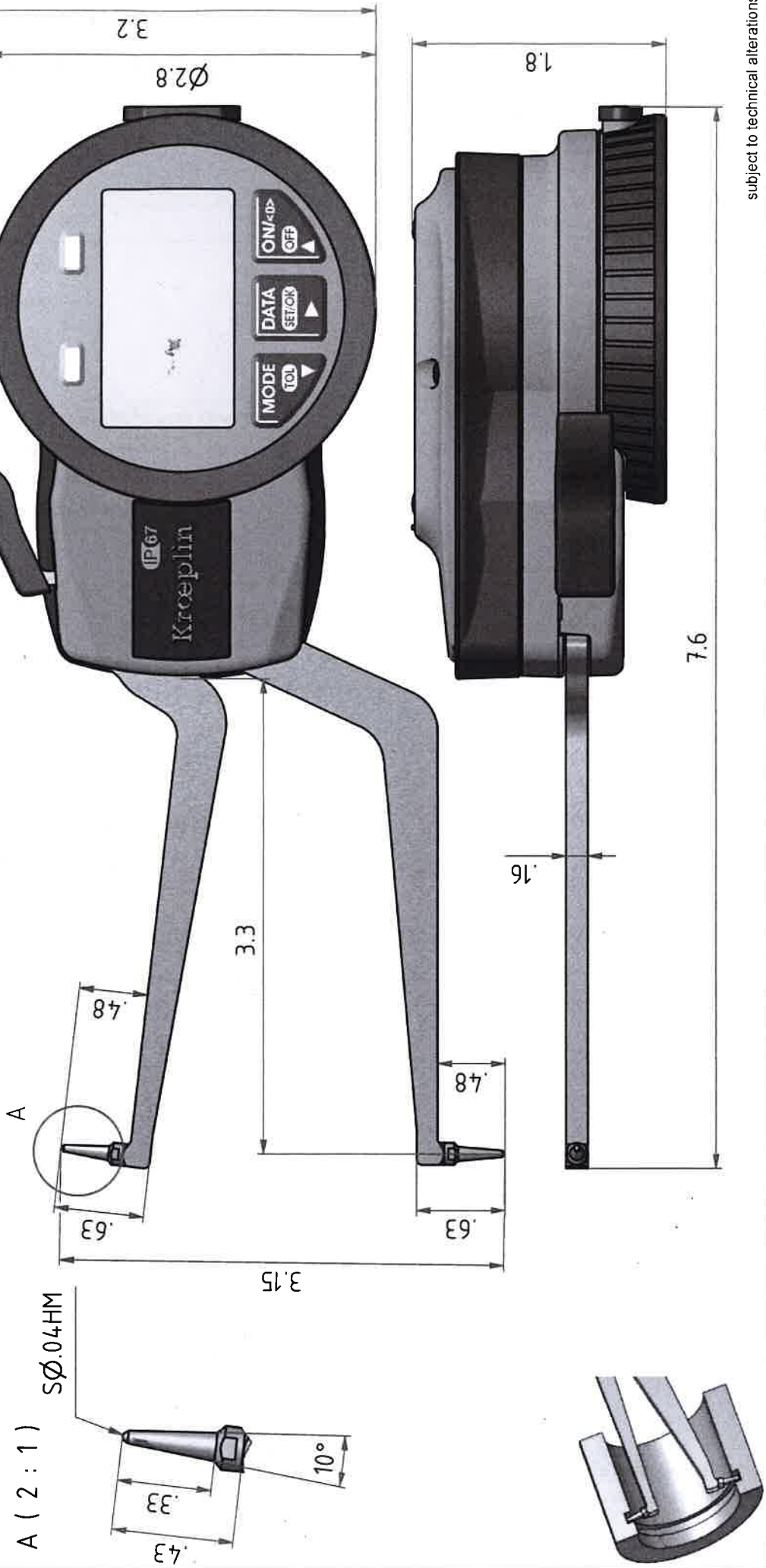
# data sheet: G260

Kroepelin GmbH  
Gartenstraße 50  
D-36381 Schlüchtern

Tel.: 06661 86 0  
Fax: 06661 86 39  
Mail: sales@kroepelin.com  
Web: www.kroepelin.com

**Kroepelin**  
Längenmesstechnik

PARTELLI Srl Brescia - 030 764 0137



subject to technical alterations	
<b>type:</b> <b>range:</b> <b>range of indication:</b> <b>digital step:</b> <b>scale interval:</b> <b>measuring force:</b> <b>weight:</b>	<b>G</b> 2.36 - 3.15 INCH 2.3425 - 3.1695 INCH .0005 INCH - 1,1 - 1,6 N 270 g
acceptable deviations VDI/VDE/DGQ 2518 Bl. 12.1/13.1 <b>max. permissible errors "G":</b> <b>repeatability "r":</b> <b>reference temperature:</b> <b>operation temperature:</b> <b>storage temperature:</b>	.0015 INCH .0005 INCH 20° C 10° C - 30° C -10° C - 50° C
<b>scale:</b> <b>drawing-nr.:</b> <b>date of issue:</b> <b>name:</b> <b>revision status:</b> <b>revision date:</b>	1:1 DAB-G260_KR_I 07.01.09 M. Balzer 001 09.03.10