



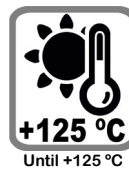
- Pressure transmitter for OEM applications
- Designed for use in heavy duty industrial environments
- 4 to 20 mA (2-wire) or 0.5 to 4.0 V<sub>DC</sub> output
- Temperature compensated
- High vibration stability
- Waterproof, plastic and stainless steel compact body
- Electrical connection with M12x1 or DT04 connector
- Process connection G ¼ A (DIN 3852-E)

On request:

- With 5 and 10 meters electrical extension

*Typical fields of application: mounted cranes, mobile cranes, aerial platforms, industrial automation and generic mobile machines.*

**Note: the user/installer is responsible for evaluating the values and, thus, the safety of the application**



### Technical data

Output signal	4 to 20 mA	10 to 80% ratiometric
Power supply (V <sub>IN</sub> )	10 to 36 V <sub>DC</sub>	5V ± 0.5 V <sub>DC</sub>
Accuracy, hysteresis and repeatability	< ±0.5 (BFSL), < ±1 %FS	
Operating temperature	from -40 to +125 °C	
Compensated temperature range	0 to +80 °C	
Thermal zero point shift	≤ ± 0.15 %FS/10K <sup>(1)</sup>	
Thermal sensitivity (span) shift	≤ ± 0.15 %FS/10K <sup>(1)</sup>	
Standard protection grade	IP67	
Maximum weight	70 g	
Construction material: wetted parts   case	Stainless steel   highly resistive, fiberglass-enforced plastic (PBT)	
Max driving torque	30 Nm	
CE conformity	EMC Directive: 2014/30/EU PED Directive: 97/23/EC	
EMC: Immunity   Emission	EN 61326-1   EN 61326-2-3	
Vibration resistance: Sinus	EN 60068-2-6: 20 g	
Shock resistance: Shock	EN 60068-2-27: 500 g	
MTTFd (electronic board)	≥ 100 years	
Maximum number of mechanical cycles	8x10 <sup>9</sup>	

<sup>(1)</sup> Inside compensated temperature range

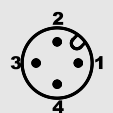
### Ordering Code

	TP	V	S	K1	250	G1A	M4P	N	NOT
	Type	Electrical output	Channels	Series	Pressure Range	Process connection	Output connection	Reserved	Custom configurations
Electrical output	<b>A</b>   <b>V</b>				Current output: 4 to 20 mA (2 wire) Voltage output: 0.5+4.0 V <sub>DC</sub> (ratiometric, 3 wire)				
Channels	<b>S</b>				Single channel				
Series	<b>K</b>   <b>1</b>				K1 Series				
Pressure range	<b>2</b>   <b>5</b>   <b>0</b> <b>4</b>   <b>0</b>   <b>0</b>				0 ... 250 bar 0 ... 400 bar				
Process connection	<b>G</b>   <b>1</b>   <b>A</b>				G 1/4 A (DIN 3852-E)				
Output connection	<b>c</b>   <b>a</b>   <b>b</b>				Electrical wiring harness code (see "Electrical connections")				
Reserved	<b>N</b>				•				
Custom configurations	<b>N</b>   <b>O</b>   <b>T</b>				Standard				

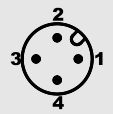
Custom configurations are available on request.

**Electrical connections**

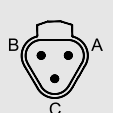
**Current output**  
M12 plug  
Code: **M6F**  
1: +V<sub>IN</sub>  
2: Not used  
3: -V<sub>IN</sub> (Output)  
4: Not used



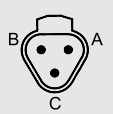
**Voltage output**  
M12 plug  
Code: **M4P**  
1: V<sub>IN</sub>=4.5 to 5.5 V<sub>DC</sub>  
2: Output  
3: 0 V<sub>DC</sub>  
4: Not used



**Current output**  
DT04-3P  
Code: **D6F**  
A: +V<sub>IN</sub>  
B: -V<sub>IN</sub> (output)  
C: Not used



**Voltage output**  
DT04-3P  
Code: **D4P**  
A: V<sub>IN</sub>=4.5 to 5.5 V<sub>DC</sub>  
B: 0 V<sub>DC</sub>  
C: Output



### Dimensions [mm]

