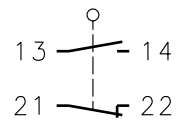
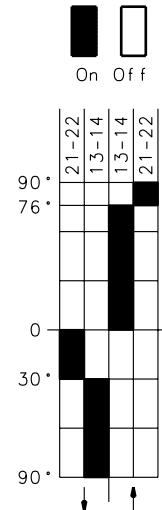
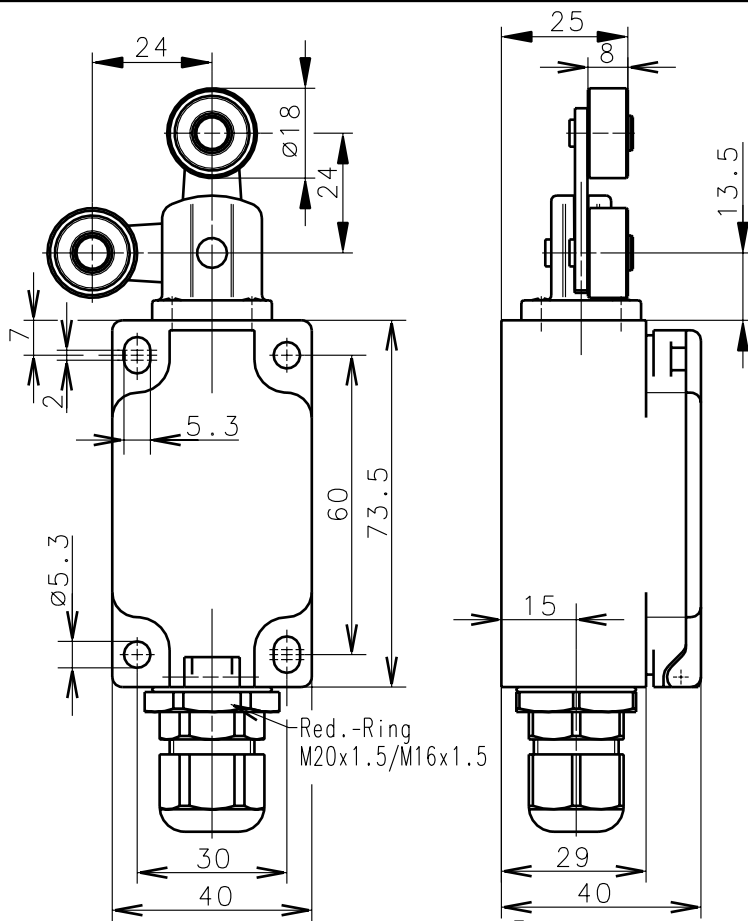


**Bernstein**Bernstein AG
Postfach 1164
D-32437 Porta Westfalica**Technical data sheet****ENK-SU1 DR****618.1191.204**

Switching diagram

Switching symbol

Tolerance: operating point $\pm 0.25\text{mm}$; actuating force $\pm 10\%$ Schutzvermerk nach DIN 34 beachten
Copyright reserved**Mechanical features**

Enclosure: Thermoplast, glass fibre reinforced
 Cover: Thermoplast, glass fibre reinforced
 Actuator: Double arm lever (st), rollers (thermoplast)

Ambient air temperature: -30°C up to $+80^\circ\text{C}$
 Contact type: 1 NC-contact, 1 NO-contact

Mechanical life: 1×10^6 switch operations
 Switch frequency: max. 20/min
 Mounting: 4 x M5
 Connection type: 4 screw connectors (M3,5)
 Conductor cross-section: single core $0.5\text{-}1.5\text{mm}^2$ / Litz wire with connector sleeve $0.5\text{-}1.5\text{mm}^2$
 Cable entry size: 1 x cable gland M16x1.5 (clamp-range 2-7mm)
 Weight: approx. 0,3kg

Electrical features

Rated insulation voltage: $U_i = 400\text{ V AC}$
 Conventional thermal current: $I_{the} = 10\text{ A}$
 Max. inrush current: according to IEC 60947-5-1, AC 15, A300
 Utilization categorie: AC 15, A300, U_e/I_e 240V/3A
 Standards: according to EN 60947-1; EN 60947-5-1
 Protection class (IP-Code): IP65 according to EN 60529; DIN VDE 0470 T1
 CSA: 10A 300V AC, A300 (same polarity)
 Short-circuit protection: Fuse 2A gL/gG, IEC/EN 60947-5-1

Approach possibilities

By loosening the 4 screws the Actuation Assembly can be rotated in 90 degree increments such that 2 Actuation directions are possible. The Actuation Assembly is to be again fastened to the housing using the 4 screws.

Remarks

The moving parts should be oiled periodically
 The rated protection class (IP-Code) is valid only at closed cover.

11.11.02