

# Absolute encoders - singleturn

**Miniature magnetic**

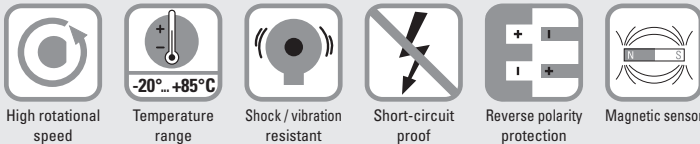
**2450 / 2470 (shaft / hollow shaft)**

**SSI**



The absolute singleturn encoders 2450 and 2470 with SSI interface and magnetic sensor technology are the specialists when space is tight.

Because of their high 12 bit resolution with 4096 different positions for 360° they offer exceptional repeat accuracy.



## Minimal space requirement

- The outer diameter measures 24 mm; the shaft diameter up to max. 6 mm.
- Flexible connection with radial or axial cable outlet.

## Durable and accurate

- Long service life and freedom from wear due to non-contact measuring system.
- Wide temperature range from -20°C up to +85°C.
- High 12 bit resolution with 4096 different positions for 360°.

## Order code Shaft version

**8.2450 . XX1X . G121**  
Type      a b c d e

- |  |   |  |   |
|--|---|--|---|
| <p><b>a Flange</b><br/>1 = ø 24 mm [0.94"]<br/>3 = ø 28 mm [1.10"]<br/>2 = ø 30 mm [1.18"]</p> | <p><b>b Shaft (ø x L)</b><br/>1 = ø 4 x 10 mm [0.16 x 0.39"]<br/>3 = ø 5 x 10 mm [0.20 x 0.39"], with flat<br/>2 = ø 6 x 10 mm [0.24 x 0.39"]</p> | <p><b>d Type of connection</b><br/>1 = axial cable, 2 m [6.56'] PVC<br/>A = axial cable, special length PVC *)<br/>2 = radial cable, 2 m [6.56'] PVC<br/>B = radial cable, special length PVC *)</p> | <p><b>e Gray-code</b><br/>12 bit resolution</p> |
|--|---|--|---|
- c Interface / power supply**  
1 = SSI / 5 V DC
- \*) Available special lengths (connection types A, B):  
3, 5, 8, 10, 15 m [9.84, 16.40, 26.25, 32.80, 49.21']  
order code expansion .XXXX = length in dm  
ex.: 8.2450.111A.G121.0030 (for cable length 3 m)

## Order code Hollow shaft

**8.2470 . 1X1X . G121**  
Type      a b c d e

- |  |   |  |   |
|--|---|--|---|
| <p><b>a Flange</b><br/>1 = ø 24 mm [0.94"]</p> | <p><b>b Blind hollow shaft</b><br/>(insertion depth max. 14 mm [0.55"])<br/>1 = ø 4 mm [0.16"]<br/>2 = ø 6 mm [0.24"]</p> | <p><b>d Type of connection</b><br/>1 = axial cable, 2 m [6.56'] PVC<br/>A = axial cable, special length PVC *)<br/>2 = radial cable, 2 m [6.56'] PVC<br/>B = radial cable, special length PVC *)</p> | <p><b>e Gray-code</b><br/>12 bit resolution</p> |
|--|---|--|---|
- c Interface / power supply**  
1 = SSI / 5 V DC
- \*) Available special lengths (connection types A, B):  
3, 5, 8, 10, 15 m [9.84, 16.40, 26.25, 32.80, 49.21']  
order code expansion .XXXX = length in dm  
ex.: 8.2470.111A.G121.0030 (for cable length 3 m)

# Absolute encoders - singleturn

<b>Miniature magnetic</b>	<b>2450 / 2470 (shaft / hollow shaft)</b>	<b>SSI</b>
---------------------------	---	------------

<b>Mounting accessory for shaft encoders</b>		Order no.
<b>Coupling</b>	bellows coupling ø 15 mm [0.59"] for shaft 4 mm [0.16"]	<b>8.0000.1202.0404</b>

Further accessories can be found in the accessories section or in the accessories area of our website at: [www.kuebler.com/accessories](http://www.kuebler.com/accessories).  
Additional connectors can be found in the connection technology section or in the connection technology area of our website at: [www.kuebler.com/connection\\_technology](http://www.kuebler.com/connection_technology).

## Technical data

Mechanical characteristics		
<b>Maximum speed</b>		12000 min <sup>-1</sup>
<b>Mass moment of inertia</b>		approx. 0.1 x 10 <sup>-6</sup> kgm <sup>2</sup>
<b>Starting torque - at 20°C [68°F]</b>		< 0.01 Nm
<b>Shaft load capacity</b>	radial	10 N
	axial	20 N
<b>Weight</b>		approx. 0.06 kg [2.11 oz]
<b>Protection</b>	housing side	IP65 (IP67 on request)
acc. to EN 60529	flange side	IP50 (IP67 on request)
<b>Working temperature range</b>		-20°C ... +85°C [-4°F ... +185°F]
<b>Material</b>	shaft / hollow shaft	stainless steel
	clamping ring	MS58
<b>Shock resistance</b> acc. to EN 60068-2-27		1000 m/s <sup>2</sup> , 6 ms
<b>Vibration resistance</b> acc. to EN 60068-2-6		100 m/s <sup>2</sup> , 55 ... 2000 Hz

Electrical characteristics	
<b>Power supply</b>	5 (+0.4) V DC <sup>1)</sup>
<b>Power consumption (no load)</b>	< 40 mA
<b>Reverse polarity protection of the power supply</b>	yes
<b>Short circuit proof output</b>	yes <sup>2)</sup>
<b>Measuring range</b>	360°
<b>Linearity, 25°C [77°F]</b>	< 1.5°
<b>Repeat accuracy</b>	≤ 0.4°
<b>CE compliant</b> acc. to	EMC guideline 2014/30/EU RoHS guideline 2011/65/EU

SSI interface	
<b>Output driver</b>	RS485
<b>Permissible load / channel</b>	typ. 60 Ohm (acc. to RS485)
<b>Resolution</b>	12 bit
<b>Code</b>	gray
<b>SSI clock speed</b>	100 kHz ... 750 kHz
<b>Monoflop time</b>	typ. / max. 16 µs / 20 µs
<b>Data refresh rate</b>	typ. 100 µs

## Terminal assignment

Interface	Type of connection	Cable (isolate unused cores individually before initial start-up)						
2	1, 2, A, B	Signal:	0 V	+V	C+	C-	D+	D-
		Core color:	WH	BN	GN	YE	GY	PK

+V: Encoder power supply +V DC  
0 V: Encoder power supply ground GND (0 V)  
C+, C-: Clock signal  
D+, D-: Data signal

1) The power supply at the encoder input must not be less than 4.75 V DC (5 V DC - 5 %).  
2) Short circuit to 0 V or to output, only one channel at a time, power supply correctly applied.

# Absolute encoders - singleturn

**Miniature magnetic**

**2450 / 2470 (shaft / hollow shaft)**

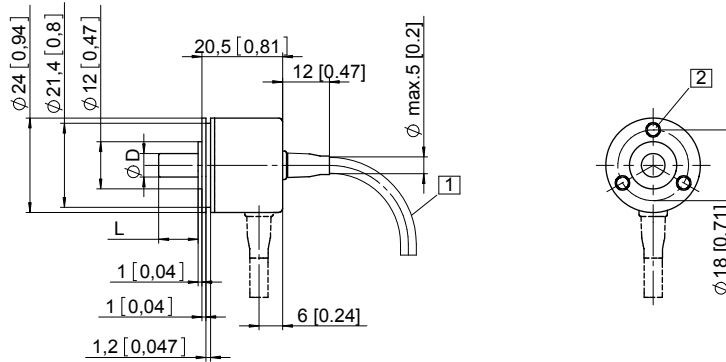
**SSI**

## Dimensions shaft version

Dimensions in mm [inch]

### Flange type 1, $\varnothing$ 24 [0.94]

- 1 min. R50 [1.97]
- 2 3 x M3, 4 [0.16] deep

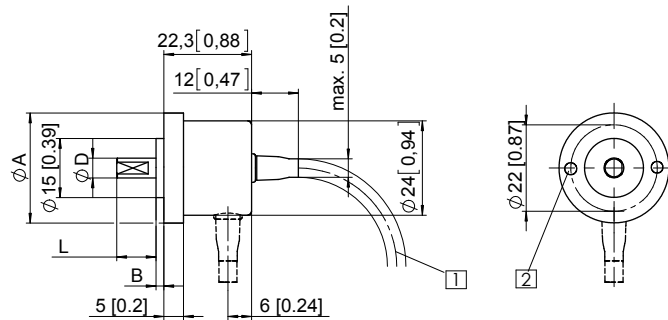


D	Fit	L
4 [0.16]	f7	10 [0.39]
5 [0.20]	f7	10 [0.39]
6 [0.24]	f7	10 [0.39]
1/4"	f7	10 [0.39]

### Flange type 2, $\varnothing$ 30 [1.18]

### Flange type 3, $\varnothing$ 28 [1.10]

- 1 min. R50 [1.97]
- 2 2 x M3, 4 [0.16] deep



D	Fit	L
4 [0.16]	f7	10 [0.39]
5 [0.20]	f7	10 [0.39]
6 [0.24]	f7	10 [0.39]
1/4"	f7	10 [0.39]

Flange type	A	B
2	$\varnothing$ 30 [1.18]	3 [0.12]
3	$\varnothing$ 28 [1.10]	2 [0.08]

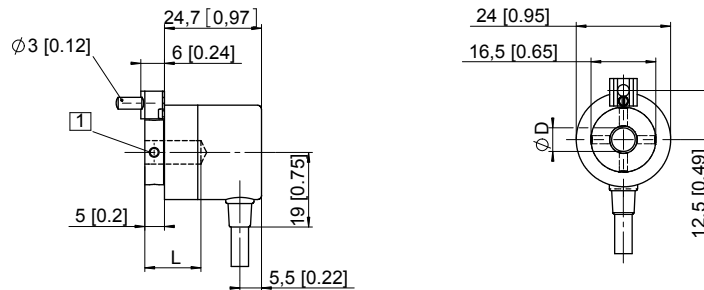
## Dimensions hollow shaft version

Dimensions in mm [inch]

### Flange type 1, $\varnothing$ 24 [0.94]

- 1 4 x M3 DIN 915 - SW1.5

Recommended torque for the set screw in the clamping ring 0.1 Nm.  
To ensure optimal clamping by the clamping ring, the customer shaft should be without flat surface.



D	Fit	L
4 [0.16]	H7	14 [0.55]
6 [0.24]	H7	14 [0.55]
1/4"	H7	14 [0.55]

L = insertion depth max. blind hollow shaft