



- A PART OF ADDTECH GROUP

DATA SHEET

Customer:	
Ref.:	
Order:	
Motor:	
Serial nr:	
Date:	06-03-2019

ASYNCHRONOUS MOTOR 3D3 180L-4

Nameplate data:

Code: 120623

Type:	3D3 180L-4			IP56	F/B	Amb. temp.: Max. 40°		
kW	Hz	V	A	Rpm	Cos	Eff.	Duty	IE.class
22,00	50	380 Δ	41,8	1475	0,86	93,2%	S1	IE3

Description:

Mounting form:	B5
Bearing DE:	6311/C3
Bearing NDE:	6311/C3
Weight - Kg.:	227
Heater:	Heater 220V-240V
PTC:	PTC mounted
Kgm ² :	0,2242
Sound press.-db(A):	76,0

Other:

Test data S1-duty, Amb.temp 40°C:

Voltage - V:	380
Frequency - Hz:	50
Power - kW:	22,00
Full load speed - Rpm:	1475
Full load current - A:	41,79
Full load power factor - Cos:	0,86
Locked rotor current - A:	294,2
Locked rotor factor - A _{st} /A _n :	7,0

Efficiency 100% load - %:	93,2%
Efficiency 75% load - %:	93,4%
Efficiency 50% load - %:	92,9%
Full load torque - Nm:	142,5
Locked rotor torque - Nm:	270,8
Locked rotor torque - Nm _{st} /Nm _n :	1,9
Max. Pull out torque - Nm:	311,4
Max. Pull out torque. - Nm _{st} /Nm _n :	2,2

Over load/speed test	kW	Hz	V	A	Rpm
Over load 160% - 15sec.	35,20	50	400	63,52	1475
Over speed 125% - 2 min.	22	63	400	39,70	1844
H-Pot test voltage: 1800V			Temp. rise in stator:		

The motor is produced in accordance with following harmonized standards:

IEC60034-1, IEC60034-2, IEC60034-5, IEC60034-6, IEC60034-7, IEC60034-8, IEC60034-9
IEC60034-12, IEC60034-14, IEC60034-30, IEC60072.

Additional specifications in accordance with:

RINA - GL - LRS - BV - DNV - ABS - KR - RR - CCS - CCC - RMRS.

Bevi Group:

BEVI AB, Sweden	www.bevi.se	sales@bevi.se	+46 499 271 00
BEVI A/S, Denmark	www.bevi.dk	bevi@bevi.dk	+45 39 67 36 05
BEVI Norge A/S, Norway	www.bevi.no	info@bevi.no	+47 22 07 66 50
BEVI Finland OY AB, Finland	www.bevi.fi	info@bevi.fi	+358 9 2709 1210
BEVI UAB, Lithuania	www.bevi.lt	info@bevi.lt	+370 5 2611 112
BEVI CHINA, China	www.bevi.cn	sales@bevi.cn	+86 21 5032 5200

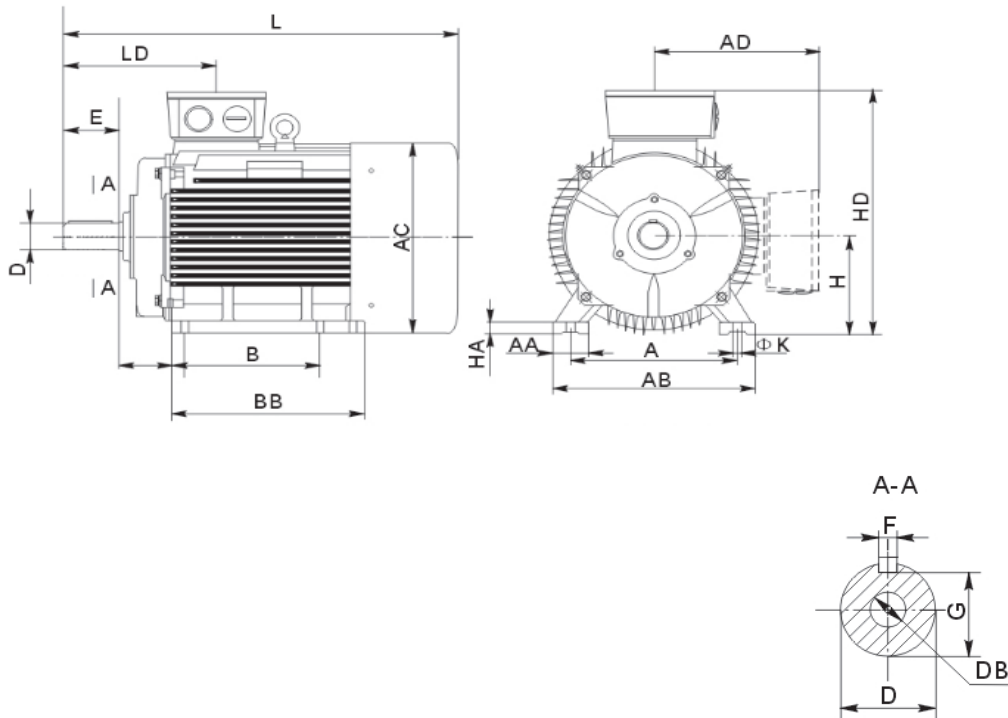


- A PART OF ADDTECH GROUP

DATA SHEET

Customer:	
Ref.:	
Order:	
Motor:	
Serial nr:	
Date:	06-03-2019

Foot mounted motor 3D3 180L-4 B3



A: 279	HD: 470	E: 110
B: 279	C: 121	D: 48
AB: 355	H: 180	G: 42,5
AC: 380	K: 14,5	DB: M16
AD: 310	L: 765	F: 14
LD: 271	L (V1): 845	

Bevi Group:

BEVI AB, Sweden
 BEVI A/S, Denmark
 BEVI Norge A/S, Norway
 BEVI Finland OY AB, Finland
 BEVI UAB, Lithuania
 BEVI CHINA, China

www.bevi.se
 www.bevi.dk
 www.bevi.no
 www.bevi.fi
 www.bevi.lt
 www.bevi.cn

sales@bevi.se
 bevi@bevi.dk
 info@bevi.no
 info@bevi.fi
 info@bevi.lt
 sales@bevi.cn

+46 499 271 00
 +45 39 67 36 05
 +47 22 07 66 50
 +358 9 2709 1210
 +370 5 2611 112
 +86 21 5032 5200

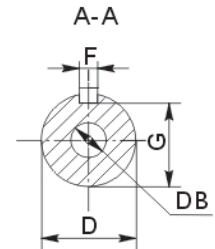
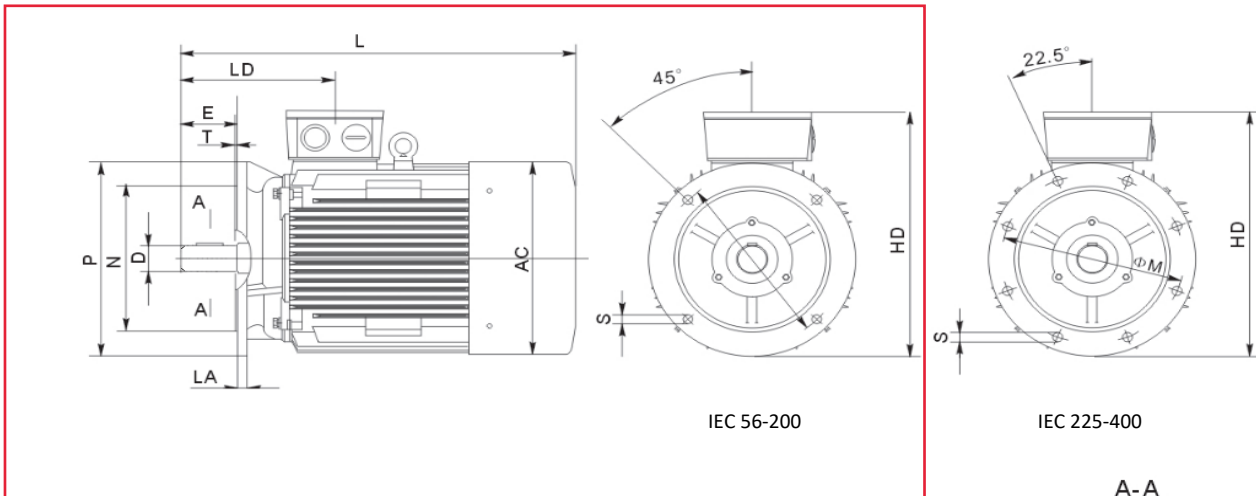


- A PART OF ADDTECH GROUP

DATA SHEET

Customer:	
Ref.:	
Order:	
Motor:	
Serial nr:	
Date:	06-03-2019

Flange mounted motor 3D3 180L-4 B5



M: 300	HD: 470	E: 110
N: 250	L: 765	D: 48
P: 350	L (V1): 845	G: 42,5
S: 18,5	LD: 271	DB: M16
		F: 14

Bevi Group:

BEVI AB, Sweden
 BEVI A/S, Denmark
 BEVI Norge A/S, Norway
 BEVI Finland OY AB, Finland
 BEVI UAB, Lithuania
 BEVI CHINA, China

www.bevi.se
 www.bevi.dk
 www.bevi.no
 www.bevi.fi
 www.bevi.lt
 www.bevi.cn

sales@bevi.se
 bevi@bevi.dk
 info@bevi.no
 info@bevi.fi
 info@bevi.lt
 sales@bevi.cn

+46 499 271 00
 +45 39 67 36 05
 +47 22 07 66 50
 +358 9 2709 1210
 +370 5 2611 112
 +86 21 5032 5200

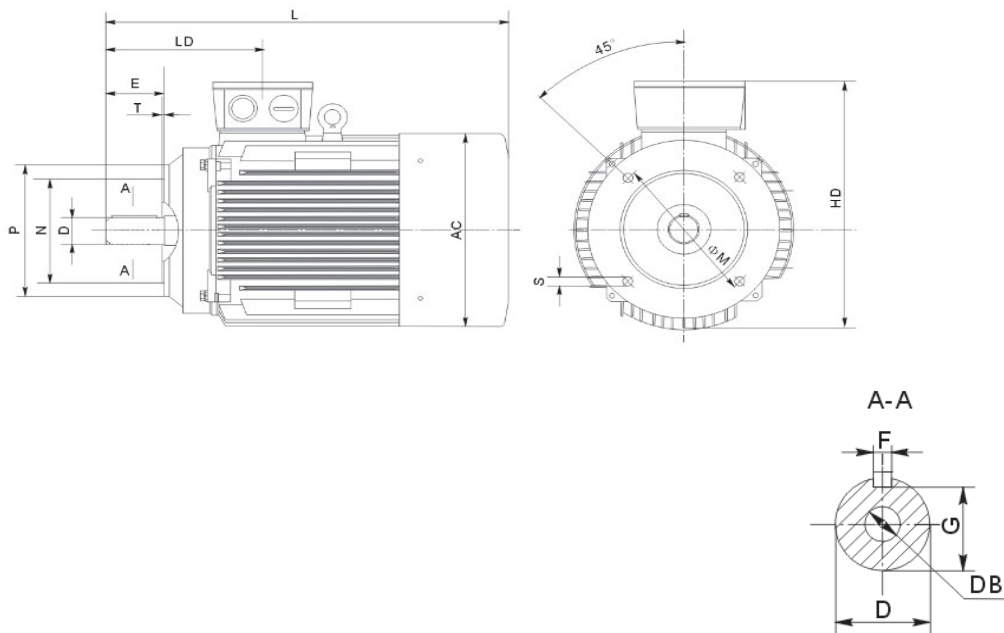


- A PART OF ADDTECH GROUP

DATA SHEET

Customer:	
Ref.:	
Order:	
Motor:	
Serial nr:	
Date:	06-03-2019

Flange mounted motor 3D3 180L-4 B14A + (B14B)



Flange type: B14A

M: 0
N: 0
P: 0
S: 0

B14B

0
0
0
0

HD: 470
L: 765
L (V1): 845
LD: 271

E: 110
D: 48
G: 42,5
DB: M16
F: 14

Bevi Group:

BEVI AB, Sweden
BEVI A/S, Denmark
BEVI Norge A/S, Norway
BEVI Finland OY AB, Finland
BEVI UAB, Lithuania
BEVI CHINA, China

www.bevi.se
www.bevi.dk
www.bevi.no
www.bevi.fi
www.bevi.lt
www.bevi.cn

sales@bevi.se
bevi@bevi.dk
info@bevi.no
info@bevi.fi
info@bevi.lt
sales@bevi.cn

+46 499 271 00
+45 39 67 36 05
+47 22 07 66 50
+358 9 2709 1210
+370 5 2611 112
+86 21 5032 5200

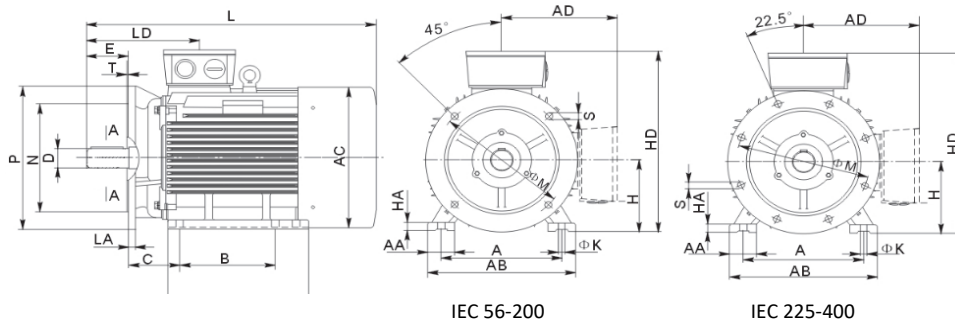


- A PART OF ADDTECH GROUP

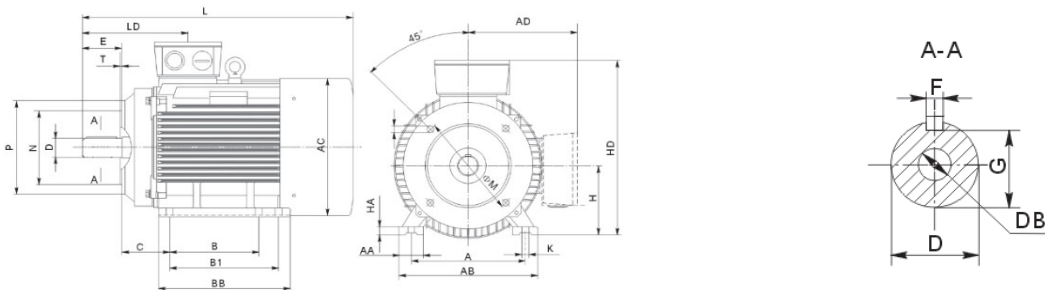
DATA SHEET

Customer:	
Ref.:	
Order:	
Motor:	
Serial nr:	
Date:	06-03-2019

Foot & flange mounted motor 3D3 180L-4 B3/B5



3D3 180L-4 B14A + (B14B)



Flange type: B5	B14A	(B14B)
M: 300	M: 0	M: 0
N: 250	N: 0	N: 0
P: 350	P: 0	P: 0
S: 18,5	S: 0	S: 0
A: 279	HD: 470	E: 110
B: 279	C: 121	D: 48
AB: 355	H: 180	G: 42,5
AC: 380	K: 14,5	DB: M16
AD: 310	L: 765	F: 14
LD: 271	L (V1): 845	

Bevi Group:

BEVI AB, Sweden
 BEVI A/S, Denmark
 BEVI Norge A/S, Norway
 BEVI Finland OY AB, Finland
 BEVI UAB, Lithuania
 BEVI CHINA, China

www.bevi.se
 www.bevi.dk
 www.bevi.no
 www.bevi.fi
 www.bevi.lt
 www.bevi.cn

sales@bevi.se
 bevi@bevi.dk
 info@bevi.no
 info@bevi.fi
 info@bevi.lt
 sales@bevi.cn

+46 499 271 00
 +45 39 67 36 05
 +47 22 07 66 50
 +358 9 2709 1210
 +370 5 2611 112
 +86 21 5032 5200