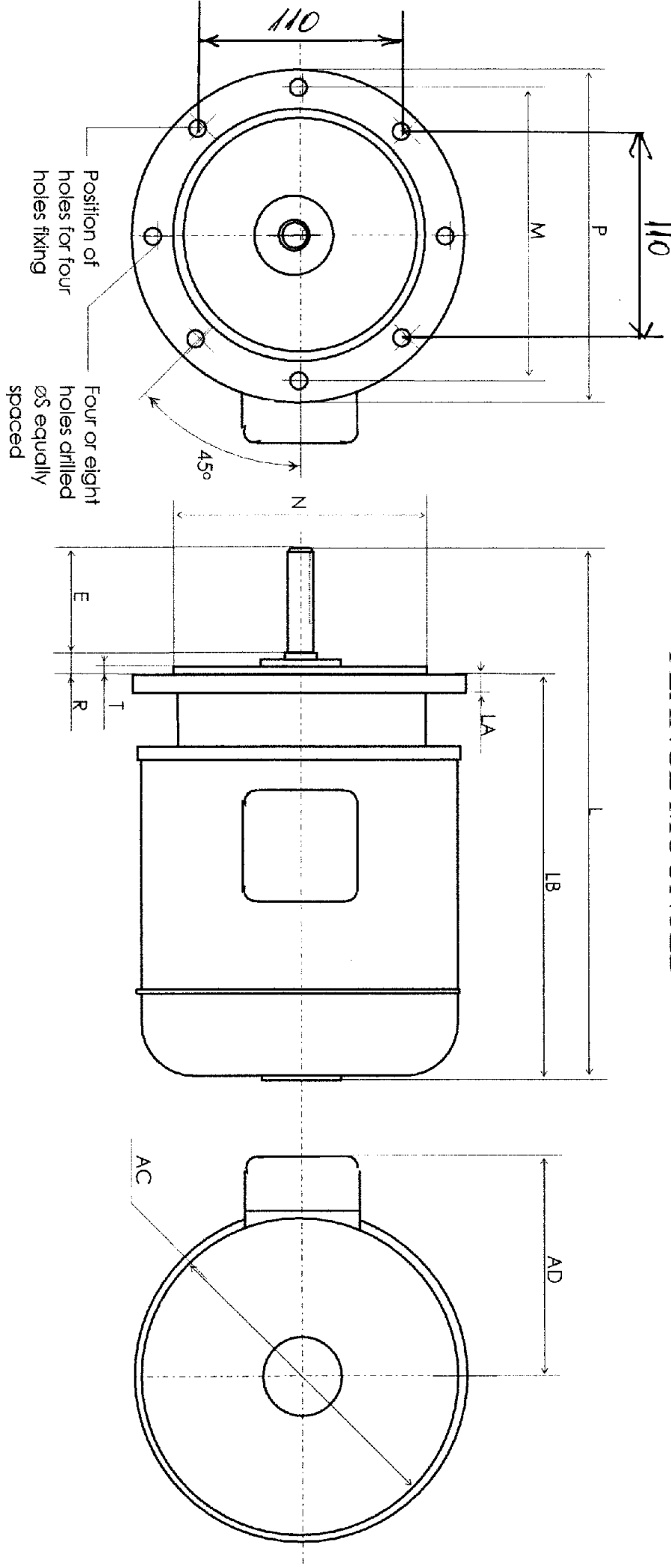


MOTOR DATA LIST

1.	Manufacturer's name, type and service duty	NIDEC TRAVERSING EL.MOTOR
2.	Voltage	440
3.	Frequency	60
4.	kW	1.5
5.	H.P.	2.04
6.	Amperage	3.5
7.	Phases	Three
8.	Rating	CONT
9.	Frame size	
10.	Serial Number	7Z05901 - T
11.	Foot or Flange Mounted	Flange
12.	Vertical or Horizontal Mounted	Vertical
13.	Connection	Star
14.	Revolutions per minute	1680
15.	Insulation Class	B
16.	Terminal box position as viewed from Drive End	
17.	Enclosure Type	IP44
18.	Weight, kg	
19.	Grease Nipple for Bearings, position, type	N/A
20.	Cable Inlet to Terminal Box position	
21.	Electrical protection (thermistors)	N/A
22.	Anticondensation Heater	N/A

MOTOR DETAILS FLANGE MOUNTED



E	L	M	N	P	R	S	T	AC	AD	LA	LB
				170				140	175	9	300

Small text at the bottom of the page, likely a reference or copyright notice.