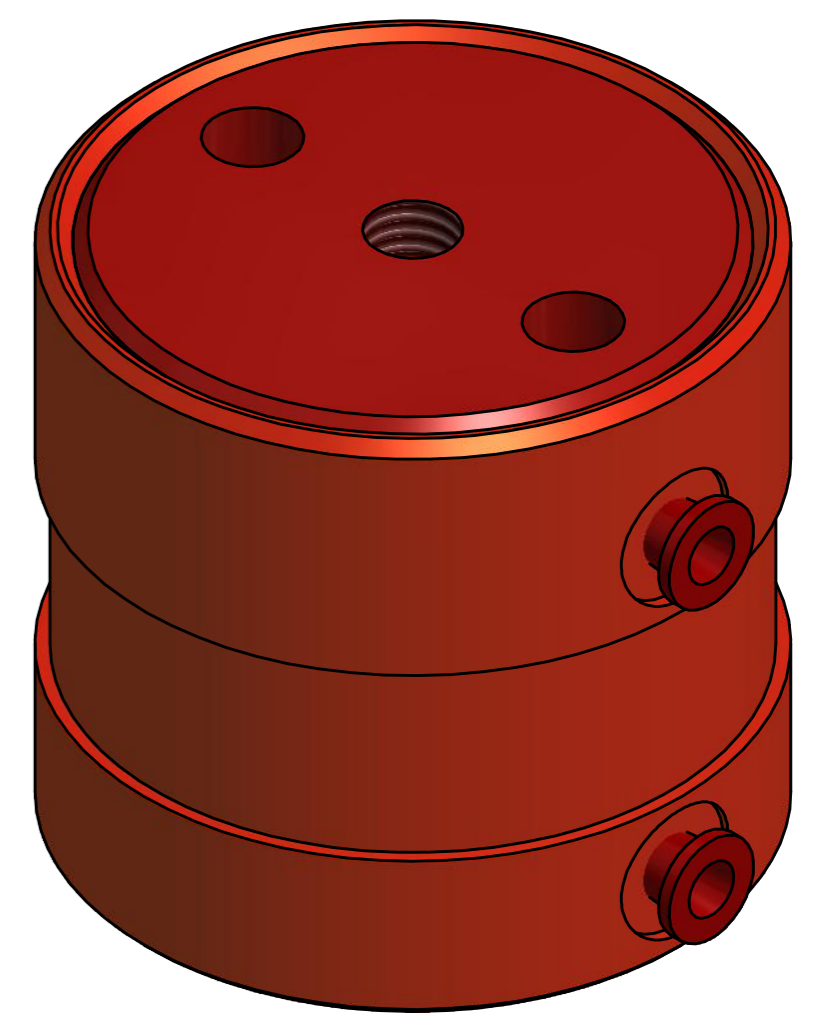
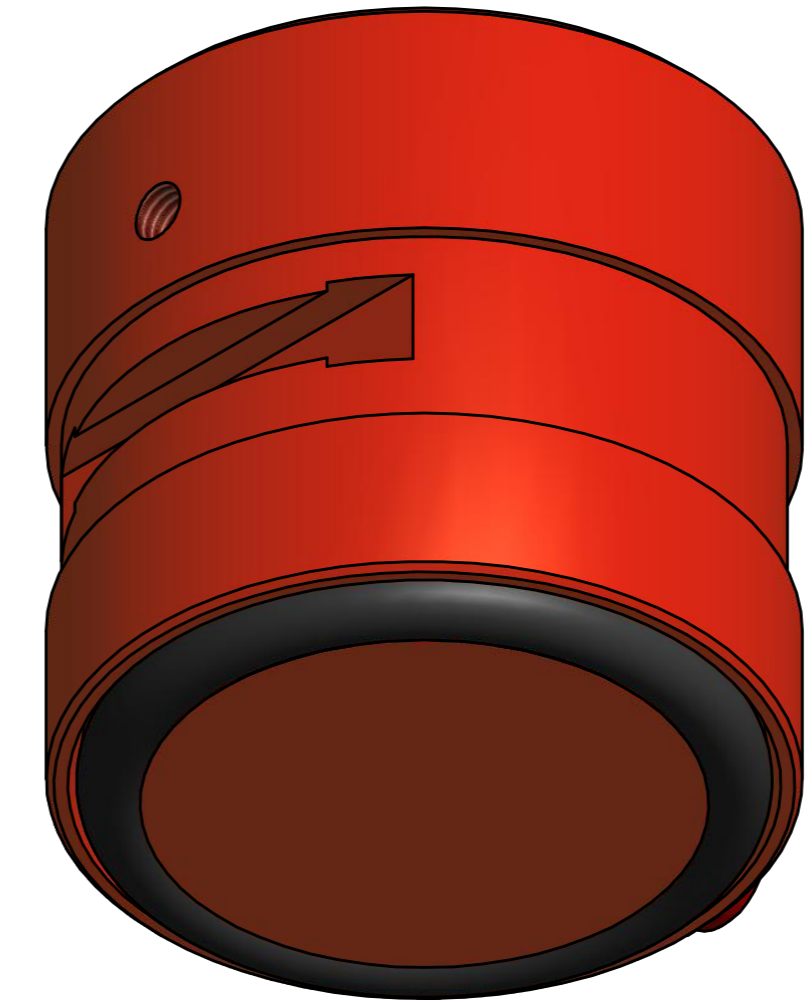
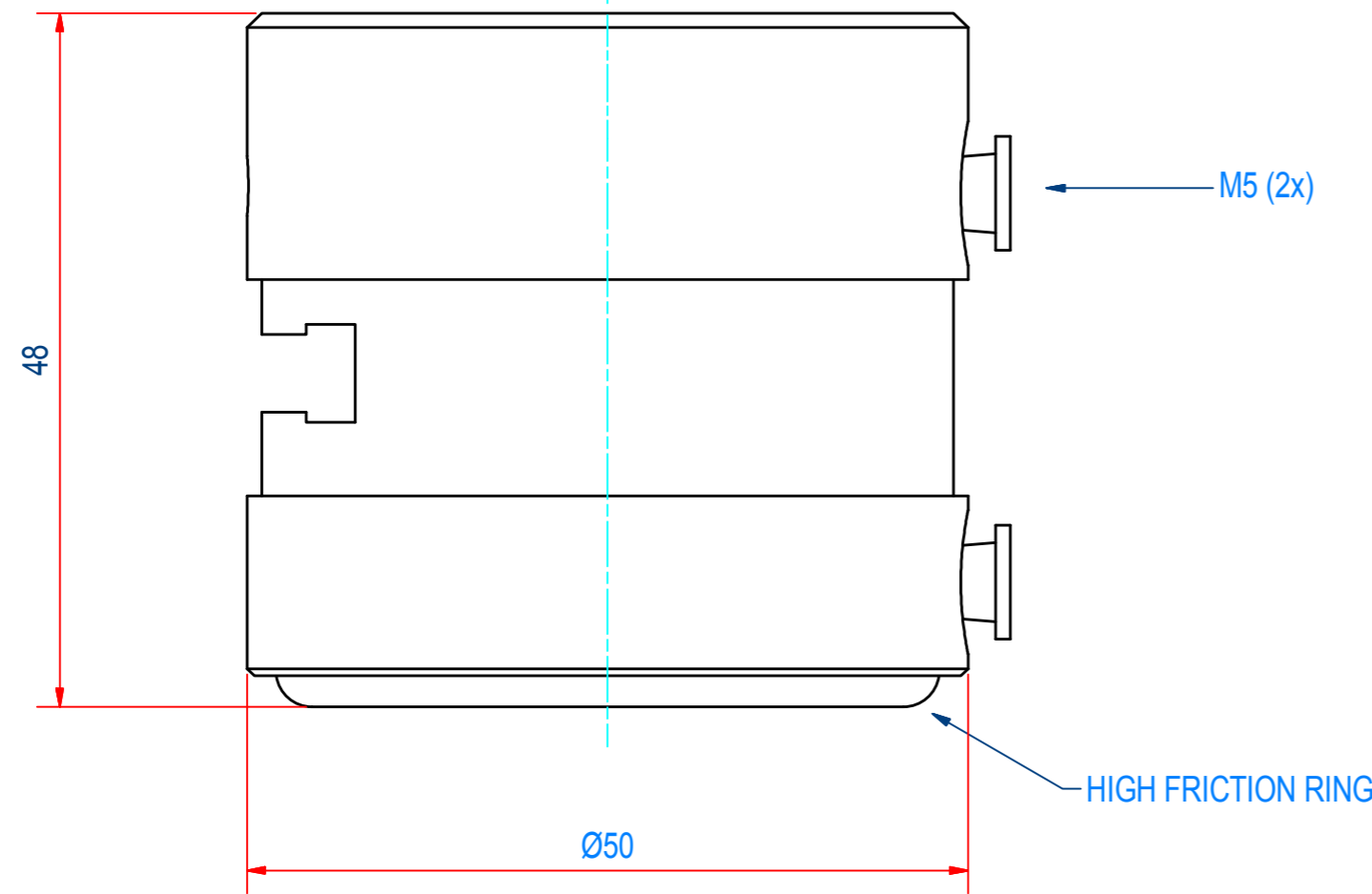
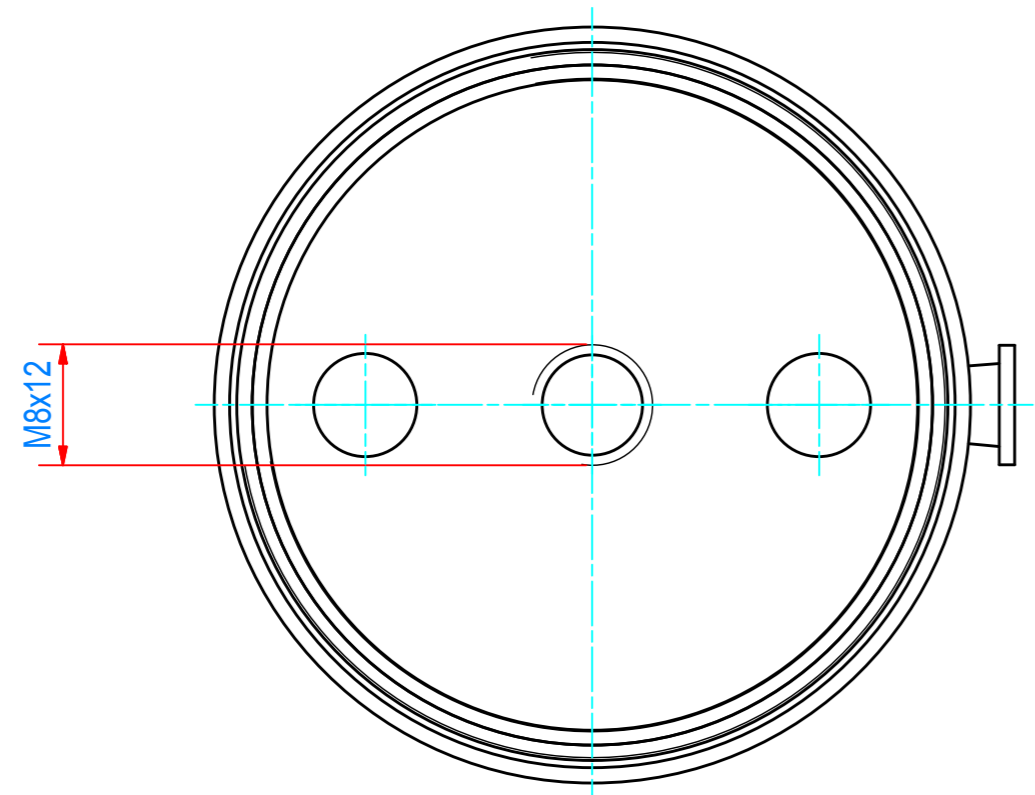


| REV | DATE | BY | DESCRIPTION |
|-----|------------|----|--|
| - | 18-12-2013 | BS | NEW VAULT, NOTHING CHANGED, IS EQUAL TO OLD REVISION F |



| ITEM | QTY | PART NUMBER | DESCRIPTION | Dimensions |
|------|-----|-------------|---------------------------|------------|
| 2 | 2 | 1009.30013 | PLUG LDPE M5 | |
| 1 | 1 | M41762 | MAGN. GRIPPER ASSY D50x48 | |

| RAW MAT. | QTY | MAT. NUMBER | MAT. DESCRIPTION | LENGTH (mm) | WIDTH (mm) |
|----------|-----|-------------|------------------|-------------|------------|
| 1 | 1 | | | | |

| | | |
|---|---|--|
| Sheet: A2 | Extra info: | General tolerance: ISO 2768- mK |
| Drawn: BS | Weight (kg): 0,2 | Drawn according: ISO268; ISO1101; ISO2553 |
| Date: 16-12-2013 | | Status: Standard |
| Spare part: False | | Customer reference number: |
| Quick search: TPGC050 | © All rights reserved. Reproduction is not permitted without written permission of GOUDSMIT Magnetic Systems BV | File number: TPGC050014 |
| Description: HGR-RO-050-OR-F-M-S | | Part number: TPGC050014 |