

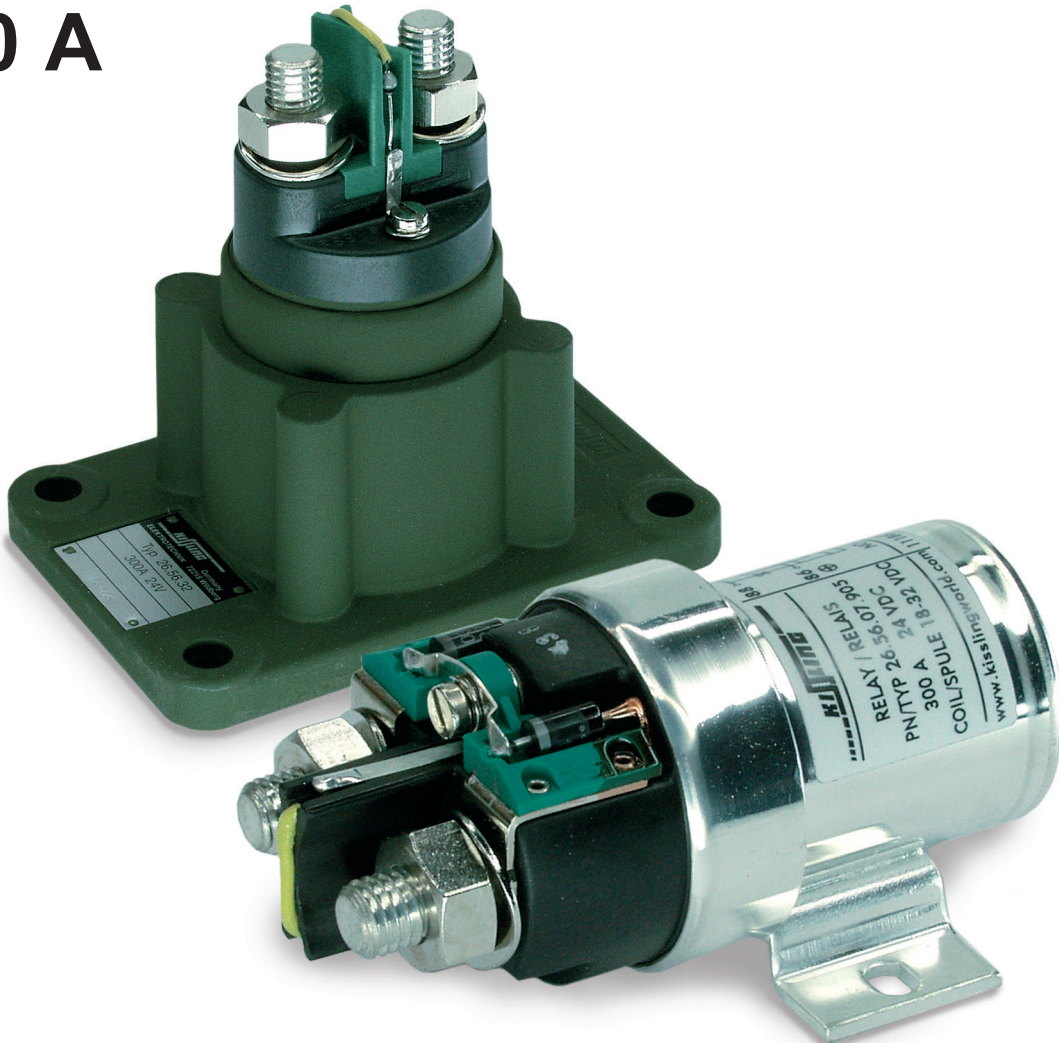
MONOSTABLE HIGH POWER RELAYS

Meets the requirements of MIL-R-6106



300 A

Series
26



Environmentally sealed dual-coil system High Power Relays for exacting requirements in Defence, Aerospace, Truck and Construction Vehicle applications.

The dual-coil system develops high contact pressure, resulting in low contact voltage drop and enhanced shock and vibration capabilities.

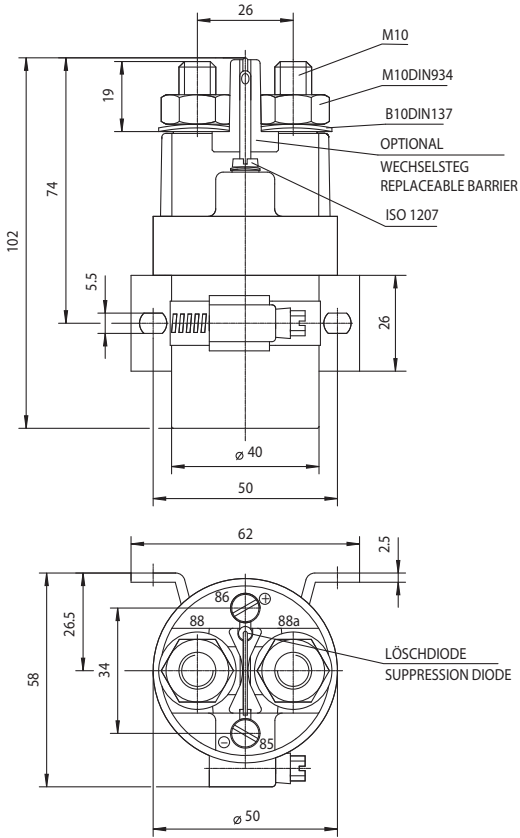
The compact and robust dual-coil design minimises holding current requirements.

The robust design of our High Power Relays ensures a sealing rate of IP67 and IP6K9K (steam pressure cleaning) in accordance with IEC 60529 and DIN 40050-9.

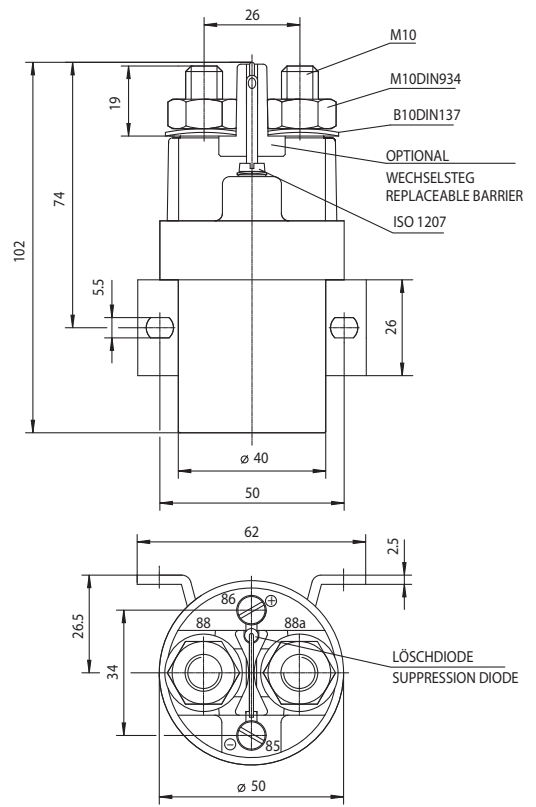
Relays from this series are available in the following continuous current ranges: 50 / 100 / 200 / 300 / 500 / 1000 Amps.

Dimensions

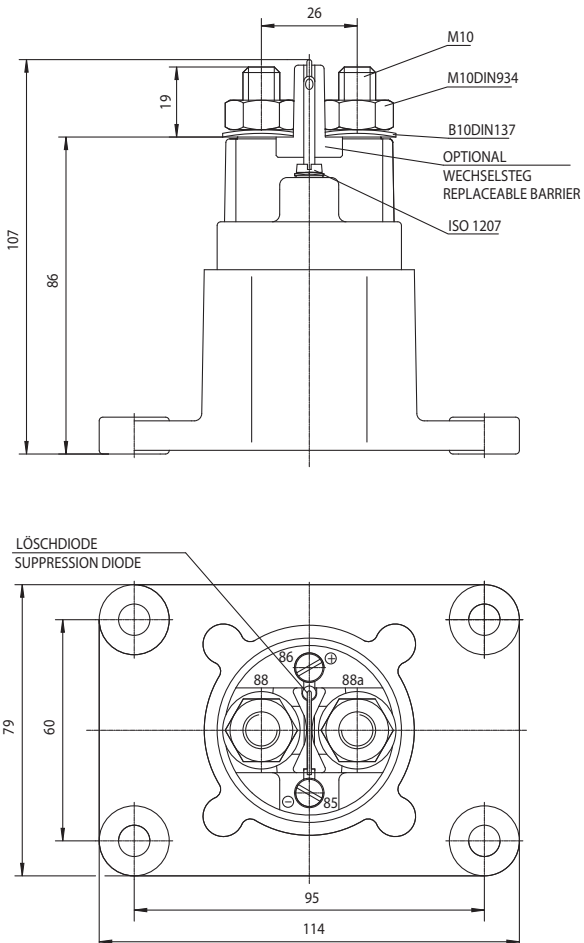
Clampingband



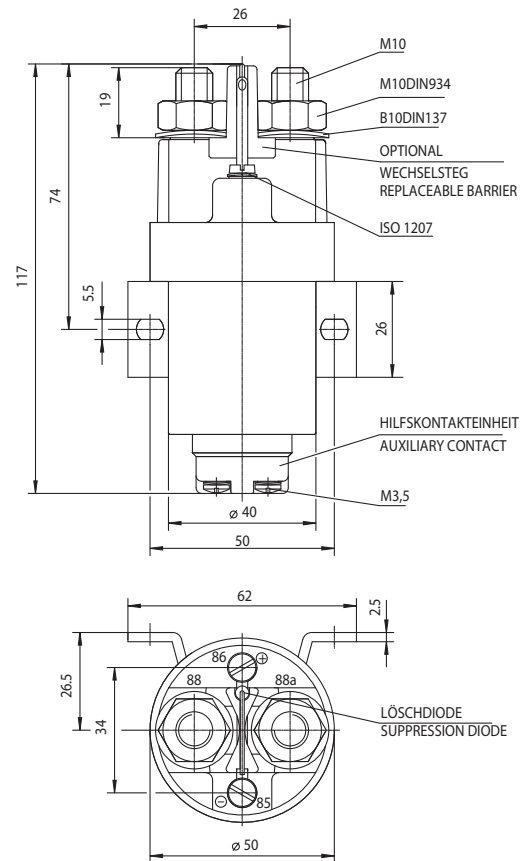
Sidemounting



4-holebottommounting

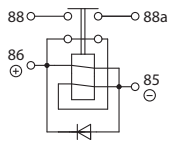


Auxiliary contact, side mounting

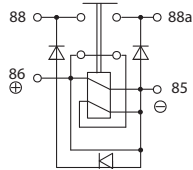


Circuits & Accessories

NO-Contact

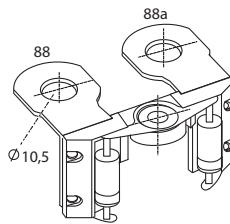


Suppression diode

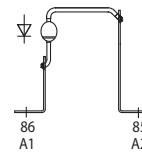


Suppression diode
Polarity protection

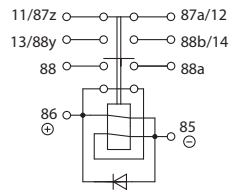
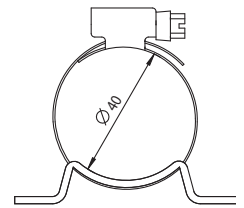
Polarity protection 26.56.51



Suppression diode 26.56.50

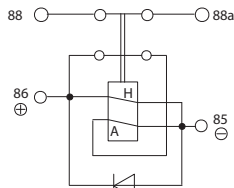


Clamping Band 26.56.53



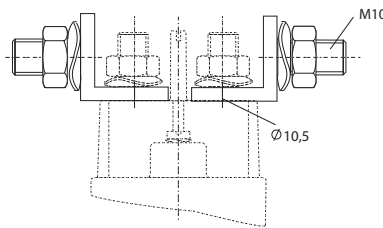
Suppression diode
Auxiliary contact

NC-Contact

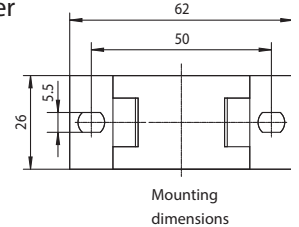
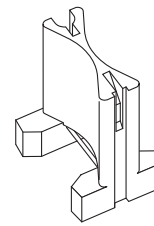


Suppression diode

Angle adapter 26.56.52



Replaceable barrier 26.56.55



Available types

	Type ordering key	Contact		clamping band	side mounting	4-hole bottom mounting	replacable barrier	supresion diode	polarity protection	Auxiliary contact	weight	
		NO	NC								Kg	pound
12V	26.56.22	x				x		x			0.93	2.05
	26.08.238	x			x		x	x			0.63	1.39
	26.56.01	x				x		x	x		0.93	2.05
	26.56.02	x				x		x			0.93	2.05
	26.56.03	x				x					0.93	2.05
	26.56.04	x		x				x	x		0.63	1.39
	26.56.05	x		x				x			0.63	1.39
	26.56.06*	x		x							0.63	1.39
	26-56.07	x				x		x	x		0.63	1.39
24 V --- 28 V	26.56.08	x			x			x			0.63	1.39
	26.56.09	x			x						0.63	1.39
	26.56.31	x				x	x	x	x		0.63	2.05
	26.56.32	x				x	x	x			0.93	2.05
	26.56.33	x				x	x				0.93	2.05
	26.56.34	x		x			x	x	x		0.93	1.39
	26.56.35	x		x			x	x			0.63	1.39
	26.56.36	x		x			x				0.63	1.39
	26.56.37	x				x	x	x	x		0.63	1.39
	26.56.38	x				x		x			0.63	1.39
	26.56.39	x				x		x			0.63	1.39
	26.56.75	x		x				x		x	0.63	1.46
	26.56.78	x				x		x		x	0.63	1.46
	26.27.07		x			x		x	x		0.66	1.46
	26.27.08		x			x		x			0.66	1.46
	26.27.09		x			x					0.66	1.46

Other Types and customer specified Types upon request

1) Main Terminals in 90° position to the bracket

*Standard version

Technical Data

Environmental Characteristics

Temperature range	-67 °F to +165 °F
Max. Altitude rating	50 000 ft
Protection	IEC 60529 & DIN 40050-9 / IP67 (0,2bar, 1min) & IP6K9K
Shock	MIL- TD-202, Test method 213, half-sine, 11 msec/ 30 G
Vibration	MIL- TD-202, Test method 213, Test condition C / 10 G
Acceleration	15G
Resistance agains most oils, fuels, hydraulic fluids, alcohol, salt spray, humidity, ozone, sand & dust, solvents, fire-extinguishing agents	

Max. torque

Thread sizes	M3,5 = 1.1 - 1.2 Nm / M4 = 2.0 - 2.2 Nm / M10 = 15-20 Nm
--------------	--

Electrical Data

Min. Isulation resistance	100 MΩ
After live or environmental	50 MΩ
Dielectric withstanding voltage	1050 VAC / 1min at 50 Hz
Max. contact drop, initial	150 mV
Contact drop after life test	175 mV
Continous current	300 A
Overload	3500 A, 1 sec / 700 A, 20 sec
Rupture current	3000 A

Rated contact Load (12 & 24 / 28 VDC)

Main Contact	
Resistive load	50 000 cycles 300 A
Inductive Load	10 000 cycles 150 A
Motor Load	50 000 cycles 300 A
Mechanical life	100 000 cycles 75 A
Auxiliary contact	
Continuous current	2 A
Make & break	100 000 cycles 6 A

Coil data

	Types 26.70 / 71/ 73	Types 26.72 ...
	12 VDC	24-28 VDC
Voltage Range	10-15 VDC	18-32 VDC
Nominal voltage	12 VDC	24/28 VDC
Pick up voltage max.	10 VDC	18 VDC
Drop out voltage	≤ 4 VDC	≤ 6 VDC
Pull in coil resistance	1,5 Ω ± 20%	5,2 Ω ± 20%
Pull in current max.	7 A, 20 msec	4/5A, 20 msec
Holding coil resistance	48 Ω ± 10%	120 Ω ± 10%
Holding current max.	0.3 A	0.25 / 0,30 A

Operating times

	NO-Contact relay
Operate	max. 25 msec
Bounce	max. 5 msec
Release with supression	max. 80 msec
Release without suppression	max. 15 msec
	NC-Contact relay
Break time	max. 10 msec
Make time with suppression	max. 60 msec
Make time without supression	max. 40 msec

Wire section	0.147 sq.in / AWG 0000
---------------------	------------------------

Mounting position	optional
--------------------------	----------

for Types with 4-hole bottom mounting a over for terminal protection is available. Part. no- 26.56.54

For high switching cycles we recommend our specially optimized relay type



Irrtümer und Änderungen vorbehalten
Errors excepted and subject to
change